

ATTENTION: READ ALL INSTRUCTIONS ENTIRELY BEFORE INSTALLATION

**PERIMETER RECESSED LIGHTING
FLANGE TRIM INSTALLATION FOR
GYPSUM/MILLWORK/OTHER MATERIAL**

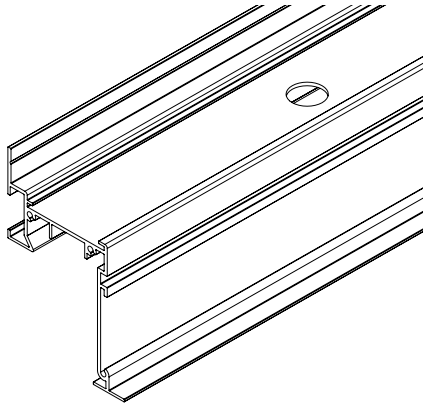
- AMBIENT LENS
- COVE GLOW LENS
- GRAZE LENS

ETL Listed for Indoor Use



CAUTION:

- * GIRO is designed to use a class 2 – 24Vdc power supply only. Use of any other power source will cause damage, shorten the life of the fixture, and may void the warranty
- * This fixture must be installed and wired by a licensed electrician
- * JLC-Tech LLC will not be held responsible if the fixtures are not installed according to applicable codes and safety standards
- * Installation is subject to local code and jurisdiction
- * Keep these instructions for the person responsible for the maintenance of this installation
- * Refer to product label/specification sheet for model specific wattage ratings



MADE IN USA

For patent information see www.jlc-tech.com/patents

T-BAR1015 GiRO Flange Trim Instruction Sheet Rev.04

ELECTRICAL INSTALLATION PREPARATION OF GIRO

- INSTALL POWER SUPPLY (SOLD SEPARATELY) IN AN ACCESSIBLE LOCATION (REFER TO THE POWER SUPPLY INSTRUCTION SHEET FOR MORE INFORMATION).
- DETERMINE LOCATIONS OF GIRO IN ACCORDANCE WITH THE LIGHT LAYOUT, AND ROUTE APPROPRIATE LOW VOLTAGE CABLE (BY OTHERS) FROM THE POWER SUPPLY TO POSITIONS WHERE GIRO IS TO BE INSTALLED.



ROUTE LOW VOLTAGE WIRE THROUGH THE APPROPRIATE WIRING HOLE FOR EACH LIGHT MODULE IN THE HOUSING BEFORE CEILING IS INSTALLED [DETAIL A]

120-277Vac
50/60 Hz INPUT



0-10Vdc DIMMING WIRES,
TO DIMMING SYSTEM

VIOLET +

PINK -

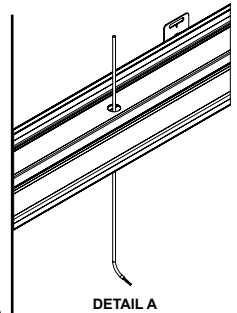
RED +

BLACK -

24Vdc OUTPUT
TO PRODUCT

CLASS 2 DIMMABLE
SUPPLY 120-277VAC - 96W MAX
(SOLD SEPARATELY)

⚠ (MAX 12FT OF PRODUCT)



DETAIL A



Driver Instructions