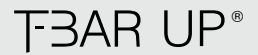


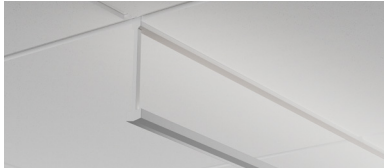
T-BAR UP | Order Specification Guide



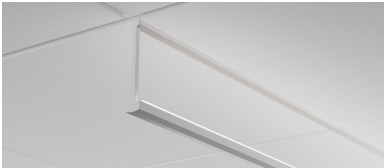
Product Name	LED/ K Color	Grid Size	Grid Type	Indirect		Direct		Drop Height	Mounting Clips	Color	Driver	Options	
				Light Output	Optic	Light Output	Optic						
TBUP = T-BAR UP	HW = 3000K	2 = 2 ft	24 = 15/16"	L = Low	F = Flat Diffusing Indirect Lens	N = No Direct	D = Diffusing Lens	3 = 3"	U = Universal	W = White	UNV = 120-277 VAC 0-10V dimming	CP = Chicago Plenum	
	MW = 3500K	4 = 4 ft	15 = 9/16"	M = Medium	G = UpGlow Lens	L = Low	DW = Diffused White Lens	6 = 6"	A = Armstrong	B = Black		DAL= 120-277 VAC DALI 2 dimming	LA = Lutron Athena Wireless Node
	MN = 4000K	5 = 5 ft	15B = 9/16" Bolt slot	H = High		M = Medium	C = Multi-Reflector ²		C = Custom	C = Custom		NW = nLight® Wired	
	CN = 5000K	Metric				H = High	CW = White Multi-Reflector ²					DC = Acuity DC2DC 57W ¹	NA = nLight® Air ¹
	TU = 2700K-6500K	6 = 60 cm 12 = 120 cm			Custom lumen outputs available, consult factory		Custom lumen outputs available, consult factory	Leave blank for indirect only				347 = 347 VAC 0-10V dimming ²	POE = Power over Ethernet ¹

www.jlc-tech.com/patents Example specification code: **TBUP-MW-2-24-LF-LDW-3-U-W-UNV** ¹Consult factory ²Not available with tunable white Optional Battery Backup Kit available (sold separately).

Indirect Flat Diffusing Lens (F)



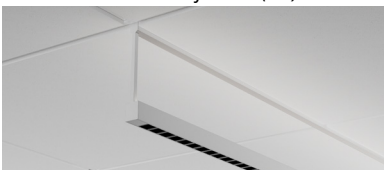
Indirect UpGlow Lens (G)



Indirect Flat Diffusing Lens (F)
Direct Diffused White Lens (DW)



Indirect Flat Diffusing Lens (F)
Direct Black Multi-Reflector (CB)



Indirect UpGlow Lens (G)
Direct Black Multi-Reflector (CB)



Indirect UpGlow Lens (G)
Direct Diffused White Lens (DW)



NOTES:

T-BAR UP is a 120-277VAC input, high efficiency light fixture designed specifically for integration into suspended ceiling systems by directly replacing cross tees. Available with both indirect only and direct/indirect options with separate control, an on-board junction box includes driver and dimming connections. All static white options are 90CRI standard.

APPLICATIONS:

Executive, Medical, Health, Educational, Retail, Hotels, Airport, Hospitality and any open space areas that require a unique and elegant architectural lighting design.

MOUNTING:

Universal mounting brackets are for easy installation to standard 15/16" or 9/16" T-Bars of most manufacturers' ceiling suspension systems. Armstrong compatible mounting clips for installation with Armstrong Ceiling 15/16" Prelude® and Clean Room™, 9/16" Suprafine®, Silhouette®, Sonata® and Interlude® suspension systems. Compatible with Tegular and Lay-in tiles.

MATERIALS:

Anodized and painted aluminum extruded body, steel mounting clips, painted aluminum end caps, high transmitting PMMA lens (F, G, D, and DW models), high reflectance 98% aluminum coated, white, or black PC reflectors on each LED (C, CW, and CB models).

ELECTRIC:

Universal input voltage of 120-277VAC. Junction box installed on fixture with integral driver(s) for connection to branch circuit and dimming system (dimming to 1%). Direct/Indirect models provided standard with two integral drivers that can be wired separate for dual control of direct and indirect circuits or tied together for single circuit control (refer to instruction sheet). Fixture must be installed in accordance with local electrical codes.

[For Battery Backup Kit order separately.](#)

For more information on integrated controls options, [refer to controls guide on website](#)

WARRANTY:

5 years

LISTINGS:

ETL/cETLus CE RoHS. Indoor use only. IC Rated. IP 40, IP 20 (C, CW, CB Models)

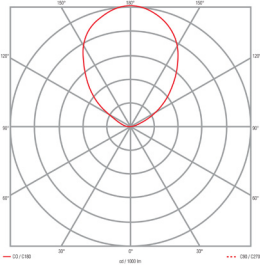
IP ratings are intended below finished ceiling.

BAA and BABA compliant.



Photometrics CRI = >90 R9>70 L₈₀ > 60K hrs (Data at 4000K)

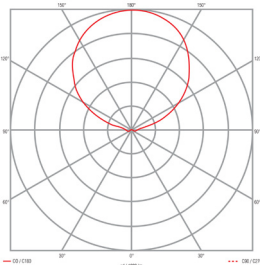
Indirect Flat Diffusing Lens



15/16" Indirect Flat Diffusing Lens 4000K

Light Output	Output (lm/ft)	Power (watts/ft)	Efficacy (lm/W)
L = Low	390	2.8	139
M = Medium	635	5	127
H = High	940	7.3	128

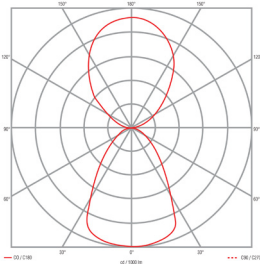
Indirect UpGlow Lens



15/16" Indirect UpGlow Lens 4000K

Light Output	Output (lm/ft)	Power (watts/ft)	Efficacy (lm/W)
L = Low	285	2.8	102
M = Medium	470	5	94
H = High	670	7.3	92

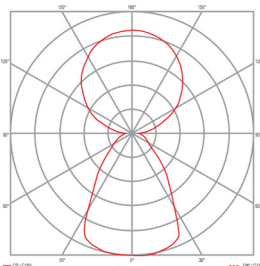
Indirect Flat Diffusing Lens + Direct Diffusing Lens



15/16" Indirect Flat Diffusing Lens & Direct Diffusing Lens 4000K

Light Output	Indirect Flat Diffusing Lens			Direct Diffusing Lens		
	Output (lm/ft)	Power (watts/ft)	Efficacy (lm/W)	Output (lm/ft)	Power (watts/ft)	Efficacy (lm/W)
L = Low	390	2.8	139	320	2.8	114
M = Medium	635	5	127	545	5	109
H = High	940	7.3	128	775	7.3	106

Indirect UpGlow Lens + Direct Diffusing Lens



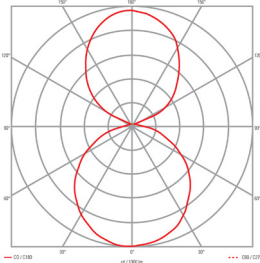
15/16" Indirect UpGlow Lens & Direct Diffusing Lens 4000K

Light Output	Indirect UpGlow Lens			Direct Diffusing Lens		
	Output (lm/ft)	Power (watts/ft)	Efficacy (lm/W)	Output (lm/ft)	Power (watts/ft)	Efficacy (lm/W)
L = Low	285	2.8	102	320	2.8	114
M = Medium	470	5	94	545	5	109
H = High	670	7.3	92	775	7.3	106

Refer to IES Files for complete photometric information

Photometrics CRI = >90 R9>70 L₈₀ > 60K hrs (Data at 4000K)

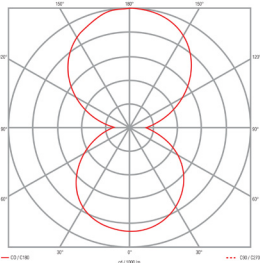
Indirect Flat Diffusing Lens + Direct Diffused White Lens



15/16" Indirect Flat Diffusing Lens & Direct Diffused White Lens 4000K

Light Output	Indirect Flat Diffusing Lens			Direct Diffused White Lens		
	Output (lm/ft)	Power (watts/ft)	Efficacy (lm/W)	Output (lm/ft)	Power (watts/ft)	Efficacy (lm/W)
L = Low	390	2.8	139	245	2.8	88
M = Medium	635	5	127	410	5	82
H = High	940	7.3	128	590	7.3	81

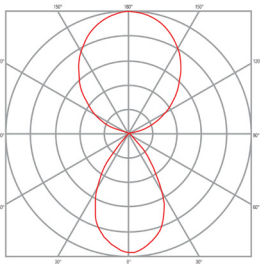
Indirect UpGlow Lens + Direct Diffused White Lens



15/16" Indirect UpGlow Lens & Direct Diffused White Lens 4000K

Light Output	Indirect UpGlow Lens			Direct Diffused White Lens		
	Output (lm/ft)	Power (watts/ft)	Efficacy (lm/W)	Output (lm/ft)	Power (watts/ft)	Efficacy (lm/W)
L = Low	285	2.8	102	245	2.8	88
M = Medium	470	5	94	410	5	82
H = High	670	7.3	92	590	7.3	81

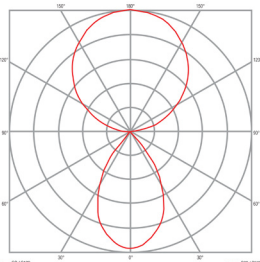
Indirect Flat Diffusing Lens + Direct Metallized Multi-Reflector



15/16" Indirect Flat Diffusing Lens & Direct Metallized Multi-Reflector 4000K

Light Output	Indirect Flat Diffusing Lens			Direct Metallized Multi-Reflector		
	Output (lm/ft)	Power (watts/ft)	Efficacy (lm/W)	Output (lm/ft)	Power (watts/ft)	Efficacy (lm/W)
L = Low	390	2.8	139	430	2.8	154
M = Medium	635	5	127	725	5	145
H = High	940	7.3	128	1035	7.3	142

Indirect UpGlow Lens + Direct Metallized Multi-Reflector



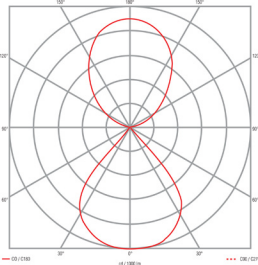
15/16" Indirect UpGlow Lens & Direct Metallized Multi-Reflector 4000K

Light Output	Indirect UpGlow Lens			Direct Metallized Multi-Reflector		
	Output (lm/ft)	Power (watts/ft)	Efficacy (lm/W)	Output (lm/ft)	Power (watts/ft)	Efficacy (lm/W)
L = Low	285	2.8	102	430	2.8	154
M = Medium	470	5	94	725	5	145
H = High	670	7.3	92	1035	7.3	142

Refer to IES Files for complete photometric information

Photometrics CRI = >90 R9>70 L₈₀ > 60K hrs (Data at 4000K)

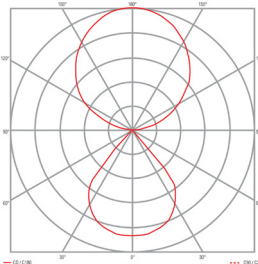
Indirect Flat Diffusing Lens + Direct Black Multi-Reflector



15/16" Indirect Flat Diffusing Lens & Direct Black Multi-Reflector 4000K

Light Output	Indirect Flat Diffusing Lens			Direct Black Multi-Reflector		
	Output (lm/ft)	Power (watts/ft)	Efficacy (lm/W)	Output (lm/ft)	Power (watts/ft)	Efficacy (lm/W)
L = Low	390	2.8	139	270	2.8	96
M = Medium	635	5	127	455	5	91
H = High	940	7.3	128	650	7.3	89

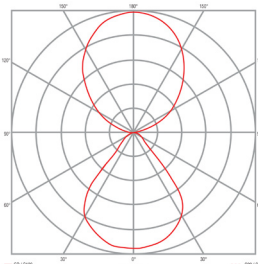
Indirect UpGlow Lens + Direct Black Multi-Reflector



15/16" Indirect UpGlow Lens & Direct Black Multi-Reflector 4000K

Light Output	Indirect UpGlow Lens			Direct Black Multi-Reflector		
	Output (lm/ft)	Power (watts/ft)	Efficacy (lm/W)	Output (lm/ft)	Power (watts/ft)	Efficacy (lm/W)
L = Low	285	2.8	102	270	2.8	96
M = Medium	470	5	94	455	5	91
H = High	670	7.3	92	650	7.3	89

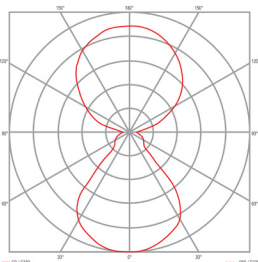
Indirect Flat Diffusing Lens + Direct White Multi-Reflector



15/16" Indirect Flat Diffusing Lens & Direct White Multi-Reflector 4000K

Light Output	Indirect Flat Diffusing Lens			Direct White Multi-Reflector		
	Output (lm/ft)	Power (watts/ft)	Efficacy (lm/W)	Output (lm/ft)	Power (watts/ft)	Efficacy (lm/W)
L = Low	390	2.8	139	415	2.8	148
M = Medium	635	5	127	700	5	140
H = High	940	7.3	128	1000	7.3	137

Indirect UpGlow Lens + Direct White Multi-Reflector

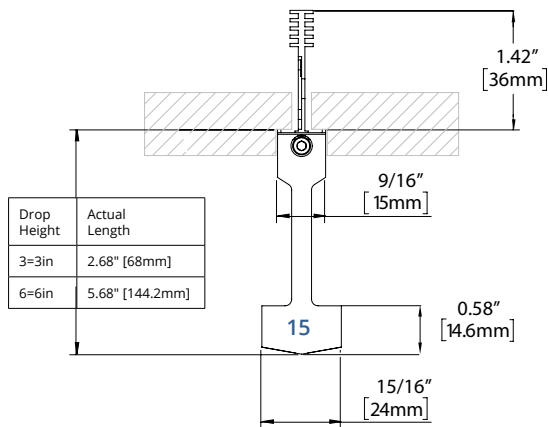


15/16" Indirect UpGlow Lens & Direct White Multi-Reflector 4000K

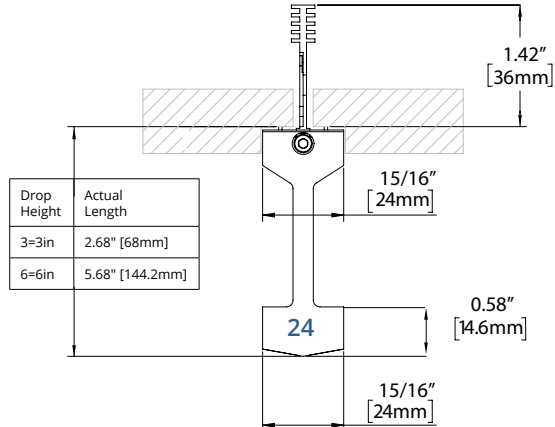
Light Output	Indirect UpGlow Lens			Direct White Multi-Reflector		
	Output (lm/ft)	Power (watts/ft)	Efficacy (lm/W)	Output (lm/ft)	Power (watts/ft)	Efficacy (lm/W)
L = Low	285	2.8	102	415	2.8	148
M = Medium	470	5	94	700	5	140
H = High	670	7.3	92	1000	7.3	137

Refer to IES Files for complete photometric information

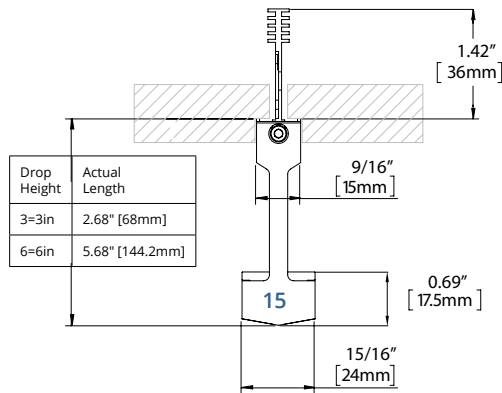
Profile Dimensions — Indirect (Compatible with Tegular and Lay-in tiles)



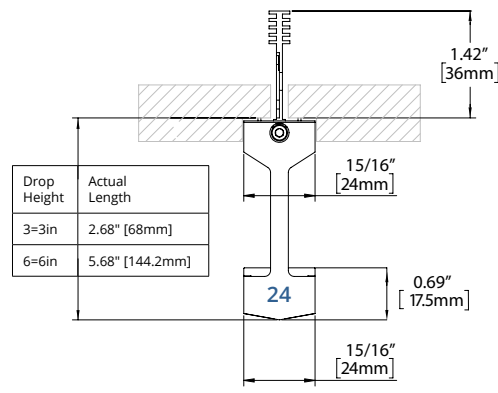
9/16" Indirect Flat Diffusing Lens
TBUP-XX-X-15-XF-N-X-X-X-UNV



15/16" Indirect Flat Diffusing Lens
TBUP-XX-X-24-XF-N-X-X-X-UNV

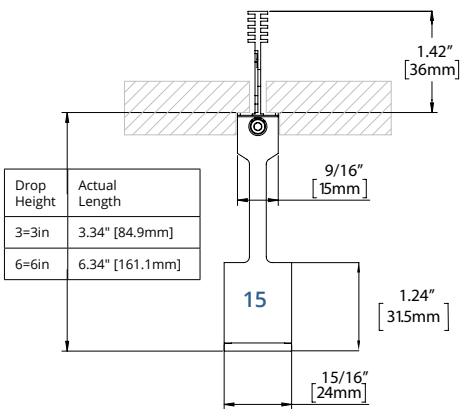


9/16" Up Glow Lens
TBUP-XX-X-15-XG-N-X-X-X-UNV

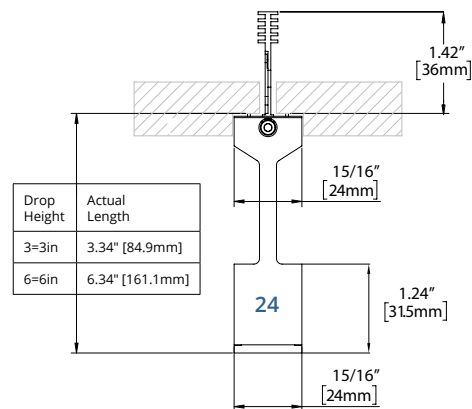


15/16" Up Glow Lens
TBUP-XX-X-24-XG-N-X-X-X-UNV

Profile Dimensions — Indirect + Direct (Compatible with Tegular and Lay-in tiles)

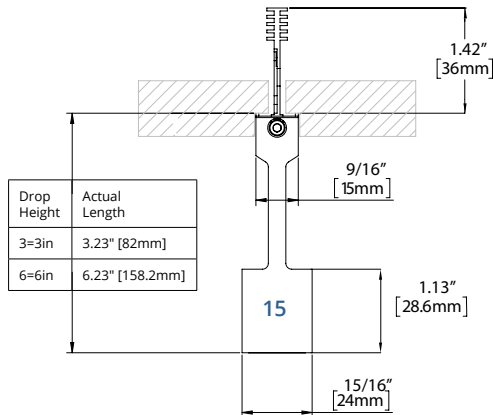


9/16" Flat Diffusing Lens + Diffused White
TBUP-XX-X-15-XF-XDW-X-X-X-UNV

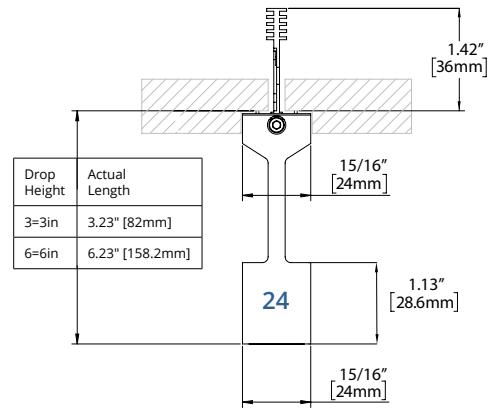


15/16" Flat Diffusing Lens + Diffused White
TBUP-XX-X-24-XF-XDW-X-X-X-UNV

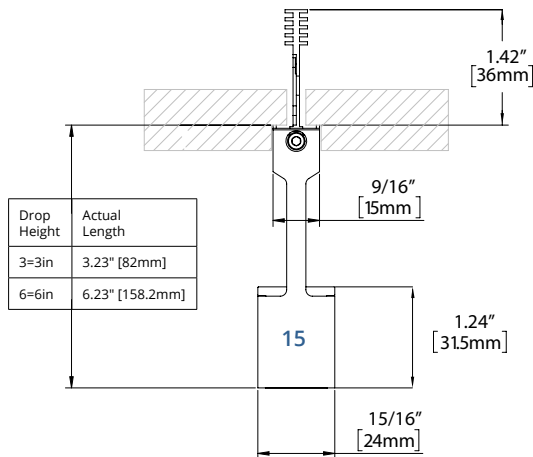
Profile Dimensions — Indirect + Direct (Compatible with Tegular and Lay-in tiles)



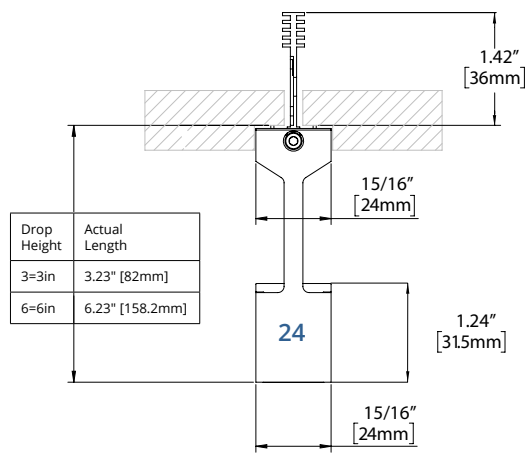
9/16" Indirect Flat Diffusing Lens + Diffusing/Multi-Reflector
TBUP-XX-X-15-XF-XD/C-X-X-X-UNV



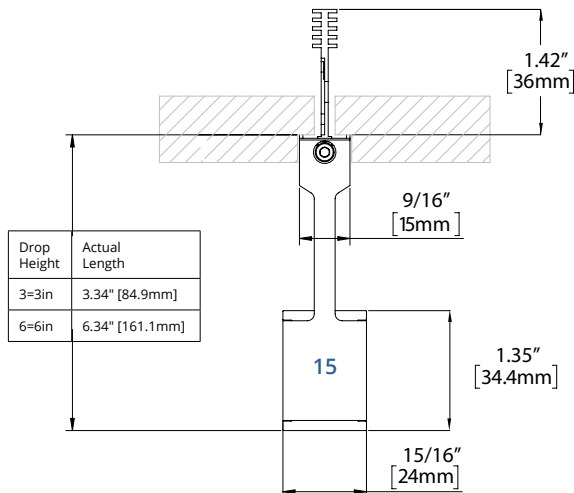
15/16" Indirect Flat Diffusing Lens + Diffusing/Multi-Reflector
TBUP-XX-X-24-XF-XD/C-X-X-X-UNV



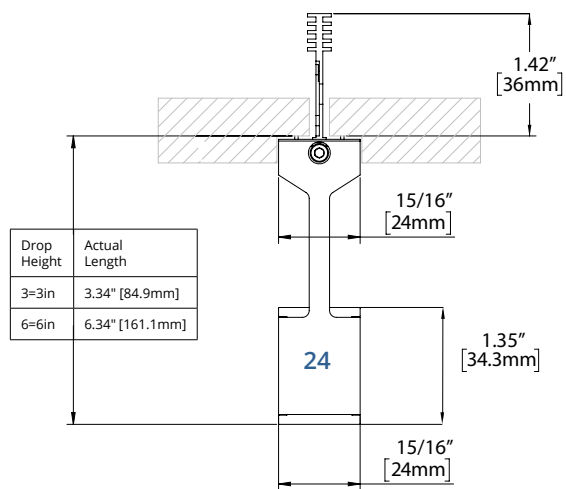
9/16" Up Glow Lens + Diffusing/Multi-Reflector
TBUP-XX-X-15-XG-XD/C-X-X-X-UNV



15/16" Up Glow Lens + Diffusing/Multi-Reflector
TBUP-XX-X-24-XG-XD/C-X-X-X-UNV

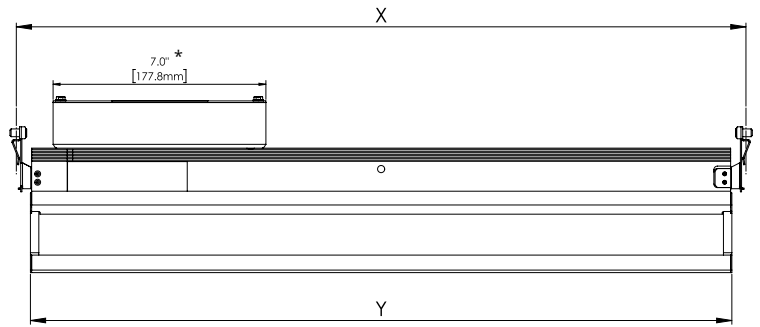
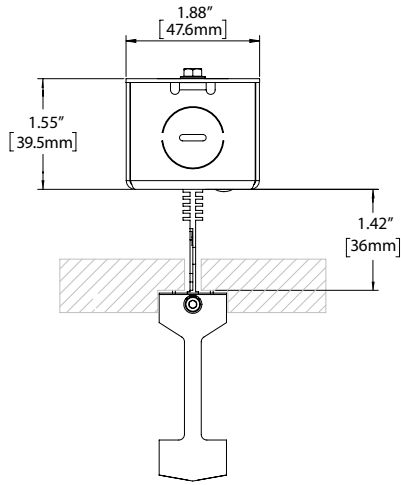


9/16" Up Glow Lens + Diffused White
TBUP-XX-X-15-XG-XDW-X-X-X-UNV

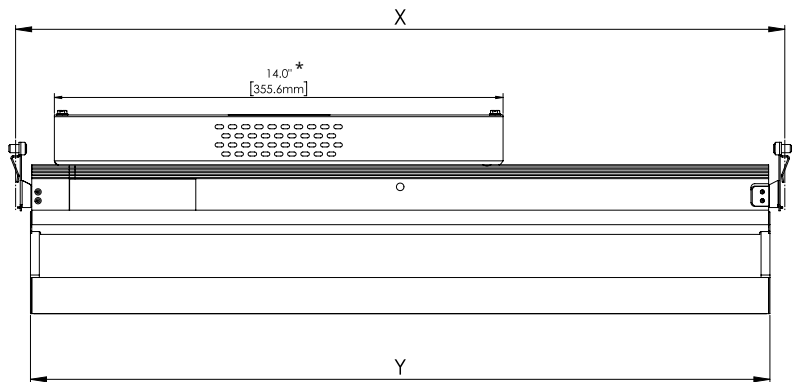
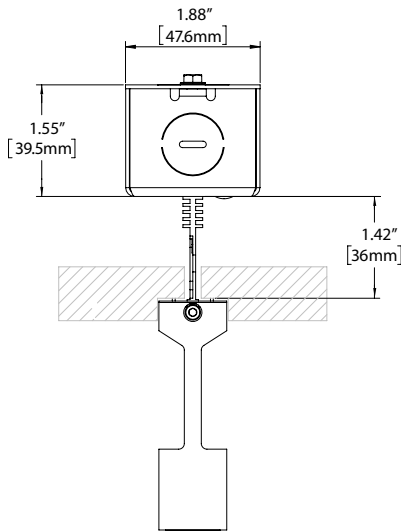


15/16" Up Glow Lens + Diffused White
TBUP-XX-X-24-XG-XDW-X-X-X-UNV

Junction Box and Length Dimensions



Indirect Only



Indirect + Direct

* Junction box length may be different for options other than standard universal input 0-10V dimming driver. For tunable white or other drivers/controls options, [refer to the controls guides on website for more information.](#)

Size	Grid Type	X	Y	Size	Grid Type	X	Y
2 = 2ft	24 = 15/16"	24"	23"	2 = 2ft	15/15B = 9/16"	24"	23.4"
4 = 4ft	24 = 15/16"	48"	47"	4 = 4ft	15/15B = 9/16"	48"	47.4"
5 = 5ft	24 = 15/16"	60"	59"	5 = 5ft	15/15B = 9/16"	60"	59.4"