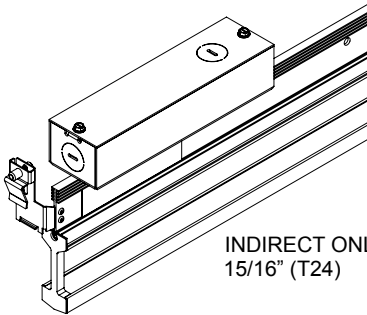


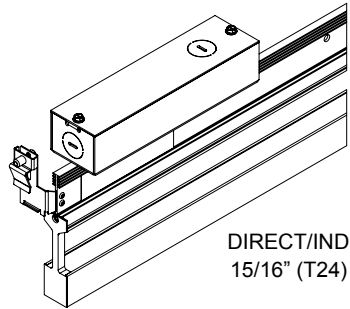
ATTENTION: READ ALL INSTRUCTIONS ENTIRELY BEFORE INSTALLATION

THE ONLY LIGHTING PRODUCTS THAT ARE ENGINEERED AND PATENTED TO REPLACE THE CROSS MEMBERS IN A SUSPENDED GRID CEILING SYSTEM

TBUP-XX-X-24-XX-U-X-UNV
SPECIFICALLY DESIGNED FOR USE WITH 15/16" (T24) GRID

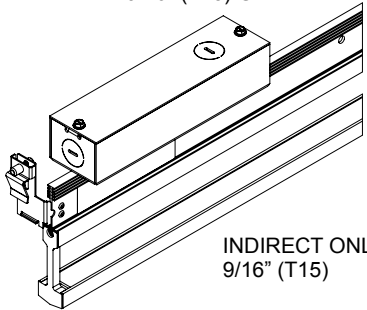


INDIRECT ONLY
15/16" (T24)

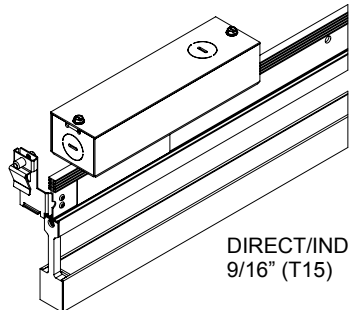


DIRECT/INDIRECT
15/16" (T24)

TBUP-XX-X-15/15B-XX-U-X-UNV
SPECIFICALLY DESIGNED FOR USE WITH 9/16" (T15) GRID



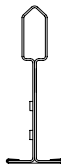
INDIRECT ONLY
9/16" (T15)



DIRECT/INDIRECT
9/16" (T15)



15/16"
Flat Grid



9/16"
Flat Grid



9/16"
Bullnose Grid



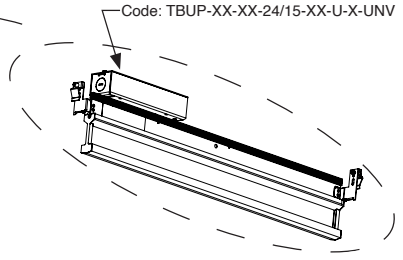
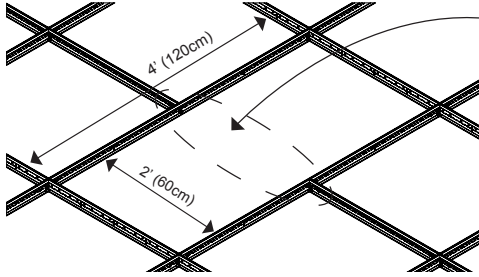
9/16"
Bolt Slot

CODE: T-BAR313 T-BAR UP Instruction Sheet 9/16" & 15/16" Universal Rev.04

WHERE I CAN INSTALL THE T-BAR UP

- IN A NEW 15/16" (T24) OR 9/16" (T15) CEILING GRID INSTALLATION, ORGANIZE THE LAYOUT TO HAVE A 2'x2' (60x60cm), 2'x4' (60x120cm), 4'x4' (120x120cm), OR OTHER COMPATIBLE CONFIGURATION, LEAVING SPACES WHERE THE T-BAR UP WILL BE INSTALLED (ACCORDING TO THE LIGHT REQUIREMENT)

- INSTALL THE T-BAR UP AT THE CENTER OF THE SPACE, IN THE LOCATION TYPICALLY OCCUPIED BY A CROSS TEE, CREATING TWO EQUAL SECTIONS ON EITHER SIDE OF THE FIXTURE



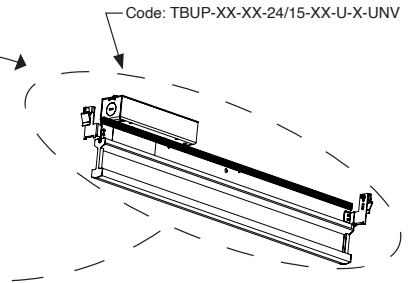
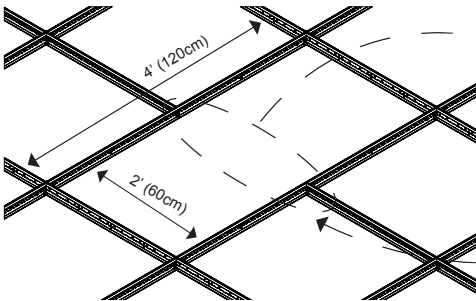
ONCE PROPERLY INSTALLED, YOU WILL BE ABLE TO COMPLETE THE CEILING WITH 2'X2' (60X60cm), 2'X4' (60X120CM), OR THE APPROPRIATE SIZED CEILING TILES.

- IN AN EXISTING 15/16" (T24) OR 9/16" (T15) CEILING GRID INSTALLATION, LOCATE THE CROSS TEES THAT ARE INTENDED TO BE SUBSTITUTED WITH THE T-BAR UP (ACCORDING TO THE LIGHT REQUIREMENT)

- TEMPORARILY REMOVE THE TILES WITHIN THE SPACE YOU SELECTED

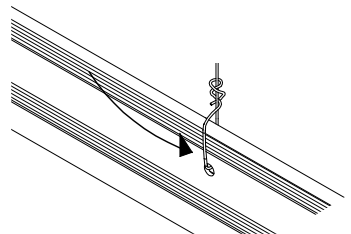
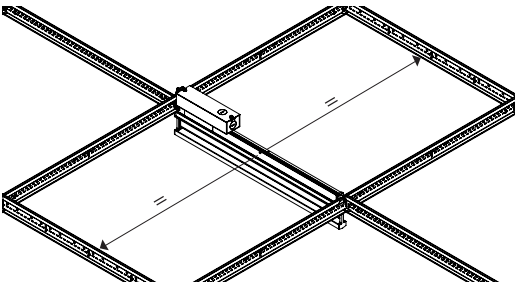
- REMOVE THE CROSS TEE AND REPLACE IT WITH THE APPROPRIATE SIZED T-BAR UP

- ONCE PROPERLY INSTALLED, PLACE THE TILES BACK



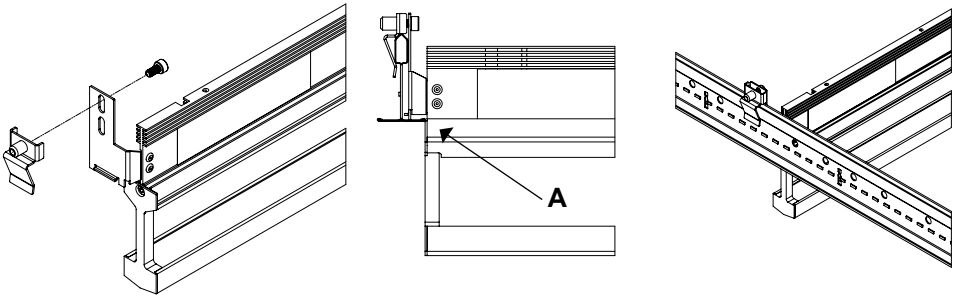
NOTE: MAKE SURE THAT THE T-BAR UP IS POSITIONED TO ALLOW THE CORRECT PLACING OF THE CORRESPONDENT TILES

- T-BAR UP MUST BE ANCHORED TO THE ABOVE BUILDING STRUCTURE WITH A STEEL CABLE USING THE CENTER HOLE. (STEEL CABLE BY OTHERS)

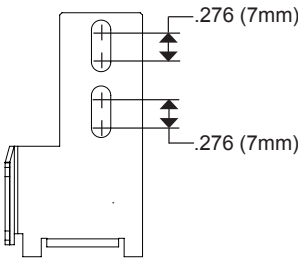


HOW CAN I INSTALL THE T-BAR UP

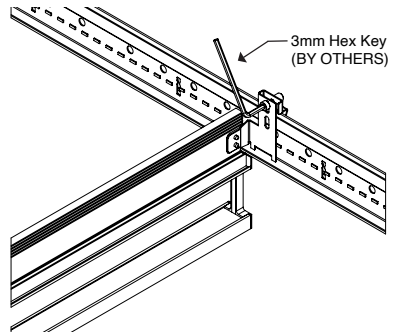
- PLACE THE PRODUCT OVER THE GRID FOLLOWING THE BELOW CONFIGURATION.
- MAKE SURE THAT THE UPPER PLANE OF THE T-BAR UP IS AT THE SAME PLANE WITH THE UPPER PLANE OF THE GRID AS SHOWN IN DETAIL "A".



NOTE:
THE SLOTS ON THE MOUNTING BRACKET ARE
DESIGNED TO ACCOMMODATE DIFFERENT GRID HEIGHTS

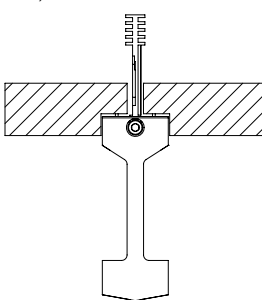


- ONCE THE PRODUCT IS POSITIONED,
TIGHTEN THE SCREW ON EACH END

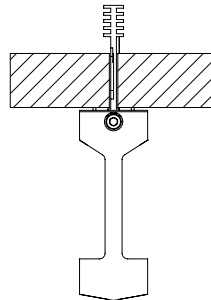


- AFTER YOU HAVE ELECTRIFIED THE SYSTEM (SEE FOLLOWING PAGE FOR INSTRUCTION), YOU CAN INSTALL THE TILES IN THEIR CORRECT POSITION OVER THE T-BAR UP PRODUCT

NOTE: ONLY TEGULAR AND LAY IN CEILING TILES MAY BE USED WITH THE T-BAR UP (CONSULT FACTORY FOR OTHER TILE TYPES)



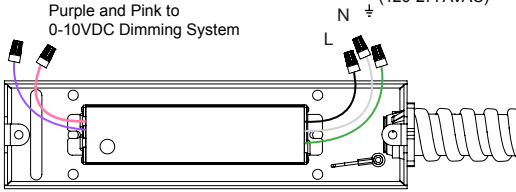
TEGULAR TILE INSTALLATION



FLAT TILE INSTALLATION

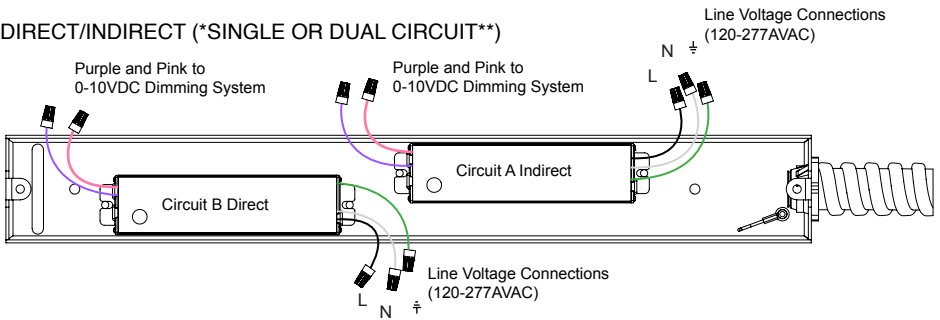
HOW TO ELECTRIFY THE T-BAR UP

INDIRECT ONLY (SINGLE CIRCUIT)



Remove junction box cover and make wiring connections to line voltage and dimming system (if needed). Replace cover when complete.

DIRECT/INDIRECT (*SINGLE OR DUAL CIRCUIT**)



Remove junction box cover and make wiring connections to line voltage and dimming system (if needed). Replace cover when complete.

***For single circuit wiring:** Connect the AC input wires of both drivers to the same line voltage feed and connect the dimming wires together.

****For dual circuit wiring:** Bring two line voltage feeds and separate dimming connections to the junction box and connect the driver labeled "Circuit A Indirect" to one AC/dimming connection and the driver labeled "Circuit B Direct" to the other AC/dimming connection.

CAUTION:

*This fixture must be installed and wired by a licensed electrician.

*JLC-Tech will not be held responsible if the fixtures are not installed according to applicable codes and safety standards.

*Installation is subject to local code and jurisdiction.

*Keep these instructions for the person responsible for the maintenance of this installation.

Electrical Ratings

Input Voltage: 120-277V, 50/60Hz

Refer to product label for model specific wattage ratings.

ETL Listed for Indoor Use



MADE IN USA

For patent information see www.jlc-tech.com/patents

ATTENTION: READ ALL INSTRUCTIONS ENTIRELY BEFORE INSTALLATION

ATTENTION: READ ALL INSTRUCTIONS ENTIRELY BEFORE INSTALLATION