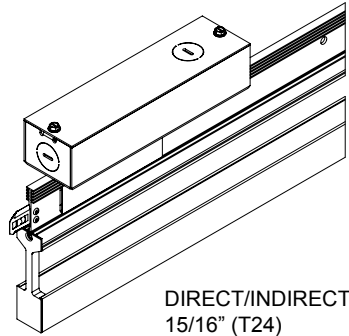
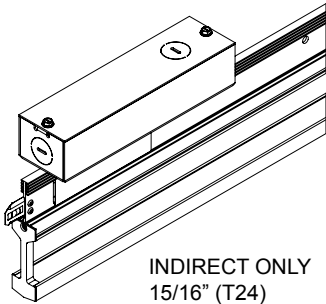


ATTENTION: READ ALL INSTRUCTIONS ENTIRELY BEFORE INSTALLATION

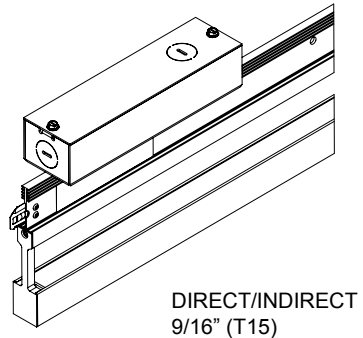
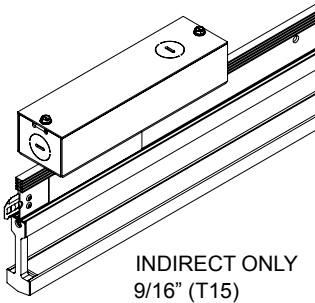
Armstrong®
World Industries

THE ONLY LIGHTING PRODUCTS THAT ARE ENGINEERED AND PATENTED TO REPLACE THE CROSS MEMBERS IN A SUSPENDED GRID CEILING SYSTEM

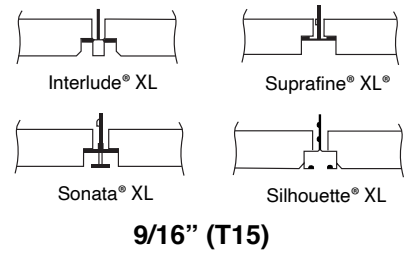
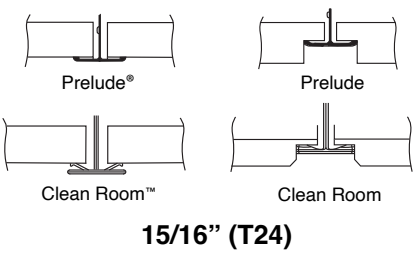
TBUP-XX-X-24-IN-A-X
SPECIFICALLY DESIGNED FOR USE WITH ARMSTRONG 15/16" (T24) GRID



TBUP-XX-X-15/15B-IN-A-X
SPECIFICALLY DESIGNED FOR USE WITH ARMSTRONG 9/16" (T15) GRID



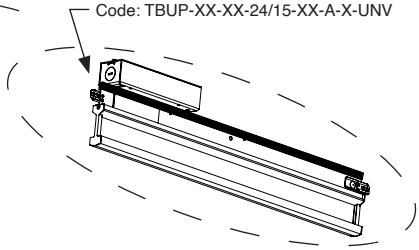
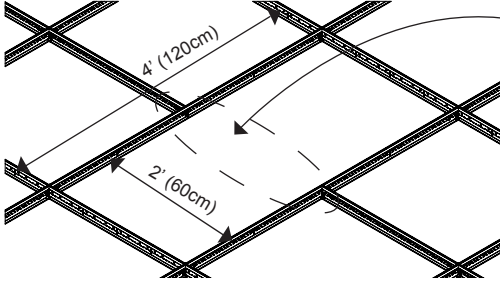
CODE: T-BAR307 T-BAR UP Instruction Sheet 9/16 & 15/16" Armstrong Rev.04



WHERE I CAN INSTALL THE T-BAR UP

- IN A NEW 15/16" (T24) OR 9/16" (T15) CEILING GRID INSTALLATION, THE ACOUSTICAL CONTRACTOR (AC) WILL INSTALL THE ARMSTRONG CEILING GRID IN A 2'x2' (60X60cm), 2'x4' (60X120cm), 4'x4' (120X120cm) OR OTHER COMPATIBLE CONFIGURATION LEAVING SPECIFIC OPENINGS FOR THE ELECTRICAL CONTRACTOR (EC), ACCORDING TO THE LIGHT REQUIREMENT

- THE EC WILL INSTALL THE APPROPRIATE LENGTH T-BAR UP AT THE SPECIFIC OPENING IN THE CEILING



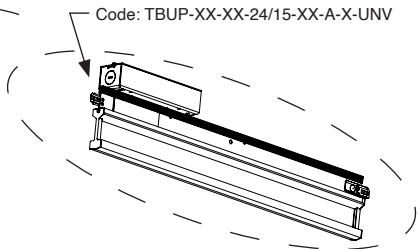
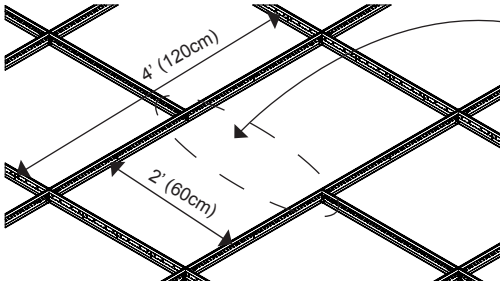
- AFTER THE EC HAS PROPERLY COMPLETED THE INSTALLATION, THE AC WILL FINISH THE CEILING WITH APPROPRIATE SIZE CEILING TILES

- IN AN EXISTING 15/16" (T24) OR 9/16" (T15) CEILING GRID INSTALLATION, VERIFY THE **EXISTING CEILING IS AN ARMSTRONG CEILING**, THEN LOCATE THE CROSS TEES THAT ARE INTENDED TO BE SUBSTITUTED WITH THE APPROPRIATE LENGTH T-BAR UP (ACCORDING TO THE LIGHT REQUIREMENT)

- THE AC SHALL TEMPORARILY REMOVE THE TILES WITHIN THE SPACE SELECTED AND REMOVE THE CROSS TEES

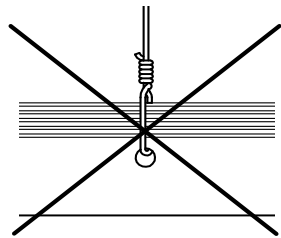
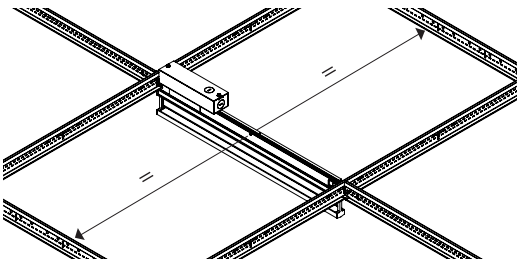
- THE EC SHALL THEN INSTALL THE APPROPRIATE LENGTH T-BAR UP IN THIS DESIRED LOCATION

- AFTER THE EC HAS PROPERLY COMPLETED THE INSTALLATION, THE AC WILL REINSTALL THE EXISTING OR REPLACEMENT CEILING TILES



NOTE: MAKE SURE THAT THE T-BAR UP IS POSITIONED TO ALLOW THE CORRECT PLACING OF THE CORRESPONDENT TILES

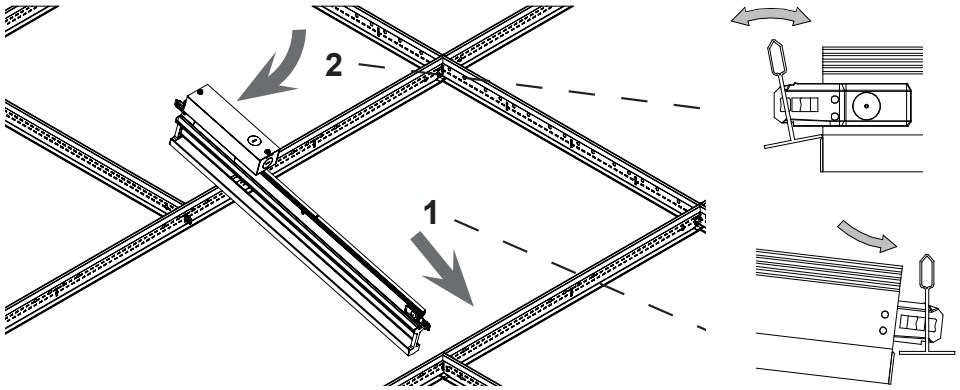
NOTE: THE T-BAR UP HAS BEEN SEISMICALLY TESTED FOR USE WITH ARMSTRONG CEILINGS AND DOES NOT NEED TO BE INDEPENDENTLY SUPPORTED



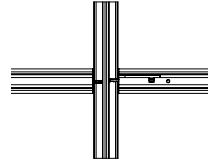
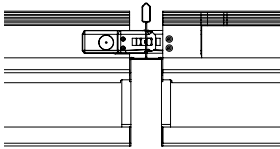
HOW CAN I INSTALL THE T-BAR UP

- PLACE THE PRODUCT OVER THE GRID FOLLOWING THE BELOW CONFIGURATION. ENTER ONE CLIP INSIDE THE DESIRED ROUT LOCATION (1).

- ENTER THE OTHER CLIP ON THE OTHER SIDE INSIDE THE CORRESPONDING ROUT LOCATION BY TWISTING THE GRID AND APPLYING ENOUGH PRESSURE TO ALLOW THE PRODUCT TO ENTER IN PLACE (2).



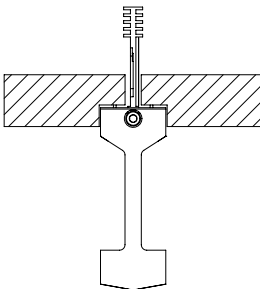
- DETAILED SIDE AND TOP VIEW OF TWO T-BAR UP CONNECTED TOGETHER. THE MOUNTING CLIP IS DESIGNED TO CONNECT SIDE BY SIDE WITH ANOTHER T-BAR UP OR WITH A STANDARD ARMSTRONG CROSS TEE.



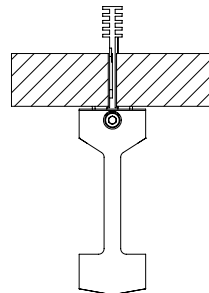
WHEN TWO ARMSTRONG CLIPS OCCUPY THE SAME ROUTE SLOT, INSERT THE SECOND CLIP INTO THE ROUTE BY PASSING ON THE RIGHT SIDE OF THE ALREADY INSTALLED CLIP

- AFTER THE EC HAS ELECTRIFIED THE T-BAR UP (SEE FOLLOWING PAGE FOR INSTRUCTION), THE AC CAN INSTALL THE ARMSTRONG CEILING TILES IN THEIR CORRECT POSITION OVER THE T-BAR UP PRODUCT AS SHOWN

NOTE: ONLY TEGULAR AND LAY IN CEILING TILES MAY BE USED WITH THE T-BAR UP (CONSULT FACTORY FOR OTHER TILE TYPES)



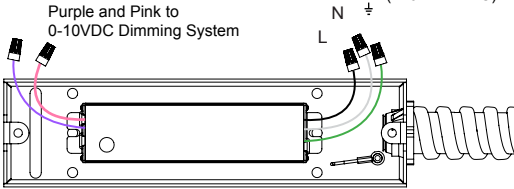
TEGULAR TILE INSTALLATION



FLAT TILE INSTALLATION

HOW TO ELECTRIFY THE T-BAR UP

INDIRECT ONLY (SINGLE CIRCUIT)



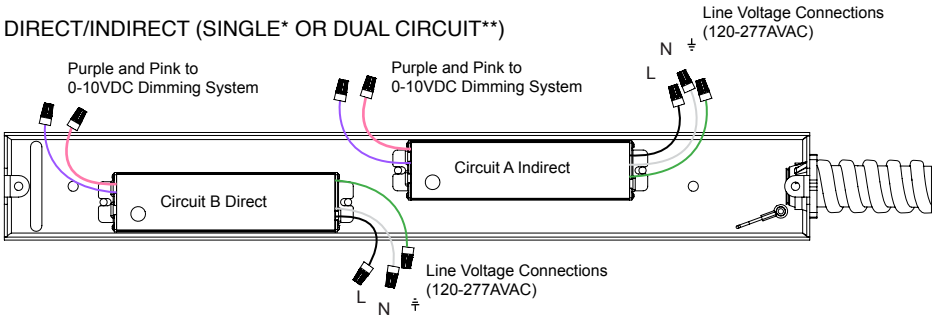
Line Voltage Connections
(120-277AVAC)

Remove junction box cover and make wiring connections to line voltage and dimming system (if needed). Replace cover when complete.

ATTENTION: READ ALL INSTRUCTIONS ENTIRELY BEFORE INSTALLATION

ATTENTION: READ ALL INSTRUCTIONS ENTIRELY BEFORE INSTALLATION

DIRECT/INDIRECT (SINGLE* OR DUAL CIRCUIT**)



Line Voltage Connections
(120-277AVAC)

Remove junction box cover and make wiring connections to line voltage and dimming system (if needed). Replace cover when complete.

***For single circuit wiring:** Connect the AC input wires of both drivers to the same line voltage feed and connect the dimming wires together.

****For dual circuit wiring:** Bring two line voltage feeds and separate dimming connections to the junction box and connect the driver labeled "Circuit A Indirect" to one AC/dimming connection and the driver labeled "Circuit B Direct" to the other AC/dimming connection.

CAUTION:

*This fixture must be installed and wired by a licensed electrician.

*JLC-Tech will not be held responsible if the fixtures are not installed according to applicable codes and safety standards.

*Installation is subject to local code and jurisdiction.

*Keep these instructions for the person responsible for the maintenance of this installation.

Electrical Ratings

Input Voltage: 120-277V, 50/60Hz

Refer to product label for model specific wattage ratings.

ETL Listed for Indoor Use



MADE IN USA

For patent information see www.jlc-tech.com/patents