



JLC • tech



*The only lighting products that are designed, approved and patented
to replace the cross members in a suspended grid ceiling system.*



“Making the simple complicated is commonplace; making the complicated simple, awesomely simple, that’s creativity.”

– Charles Mingus



Table of Contents

4	Introduction
5	Key Benefits of JLC-Tech Products
7	Mounting Configurations
9	Lighting Layout Examples
13	Two Easy Installations for Suspended Ceiling Systems
16	T-BAR LED® Tunable White
17	T-BAR LED® Designed for Armstrong® Ceilings Vector®
19	Additional Ratings for JLC-Tech Lighting Products
24	JLC-Tech Products
26	The T-BAR LED®
61	The T-BAR UP®
69	Remote LED Driver and DMX Driver Kit for T-BAR LED® and T-BAR UP®
78	The T-BAR TWO®
84	Remote LED Driver Options for T-BAR TWO®
88	The T-BAR RGBW™
97	DMX Driver Kit for T-BAR RGBW™

Image on cover:

Rhode Island College, Gaige Hall – Providence, RI
LLB Architects / Abernathy Lighting Design



Are you still thinking of using a typical downlight?

LED technology has now saturated the lighting industry, creating an enormous change in available lighting products. The market is flooded with LED lighting fixtures that re-create the old 2'x2' and 2'x4' troffer and round down lights, resulting in LED designs that look just like the 60 year-old fluorescent lighting models!

Our revolutionary approach to creating lighting fixtures with LEDs was done with one simple concept in mind: Why add a light fixture when the LED technology allows us to integrate light into already existing structural elements?

With this thought in mind, the T-BAR LED[®] was born: A minimalistic linear lighting fixture

that actually takes the place of a 2' or 4' cross member of the ceiling suspension system, allowing the lighting to become a part of the ceiling assembly, reducing building materials, labor and waste, all while saving energy. A concept so clear and simple, that it is stunning!

Thanks to our engineering and patented technology, the junction point temperature of the LED is maintained below the maximum rating allowed by the LED manufacturer, insuring product longevity. The T-BAR LED[®] is a step into the future, changing the way we illuminate our spaces, and improving the world in which we live, work and play.

*JLC-Tech is designing simple
and elegant lighting that saves
you more than just energy!*

Key Benefits of JLC-Tech Products



UNUM Therapeutics – Cambridge, MA
Perkins + Will

Minimize building materials and waste, save energy and reduce installation costs with JLC-Tech's lighting products.

NO PLENUM OCCUPANCY

- Low profile lighting replaces the grid (equals height of a cross tee)
- Remote DC power supplies leaves plenum virtually unoccupied
- No competition for space with other ceiling utilities

IMPROVED CEILING PERFORMANCE

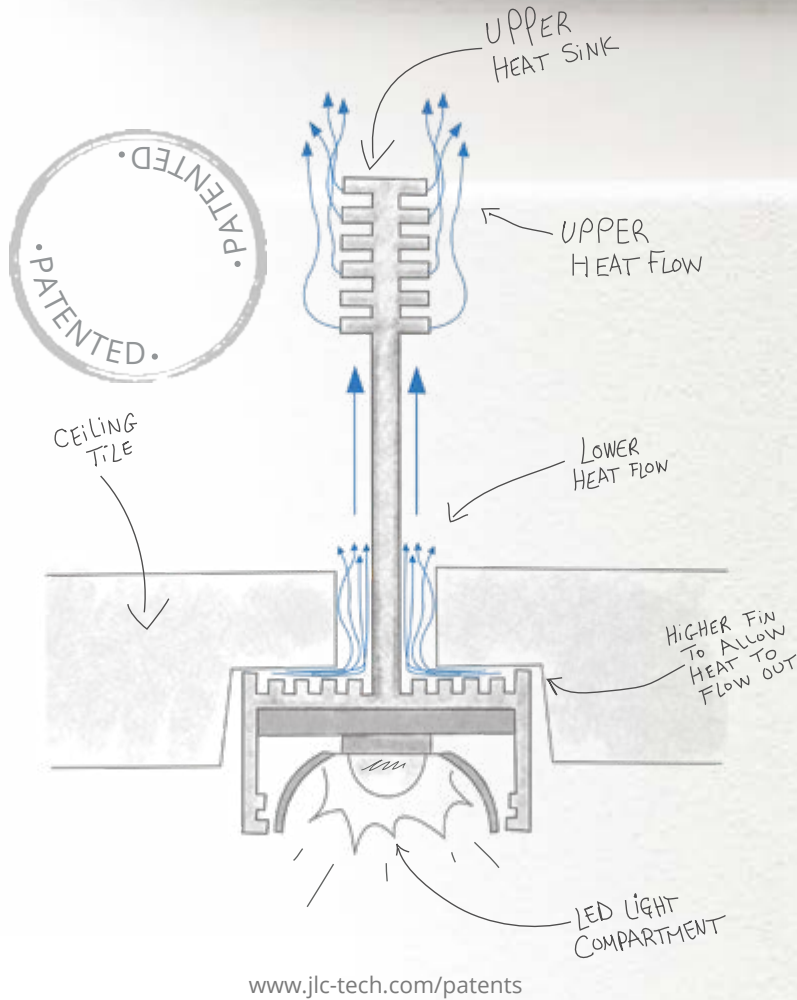
- Lights occupy the grid only, optimizing the ceiling's ability to enhance occupant well-being
- No interrupted tiles means maximizing tile's acoustical qualities
- Simplifies the disinfecting and cleaning of ceiling surfaces
- Uniform ceiling surface equals improved light reflectance

REDUCE AND SAVE

- Installation is literally a snap! Minimal-to-no-tools required
- No field modification of grid or tiles required
- Up to 50% savings in labor and materials costs*

* See McMillan case study on our website.

The shape of the T-BAR LED® is designed to quickly transfer all the heat generated by the LED away from its surrounding area.

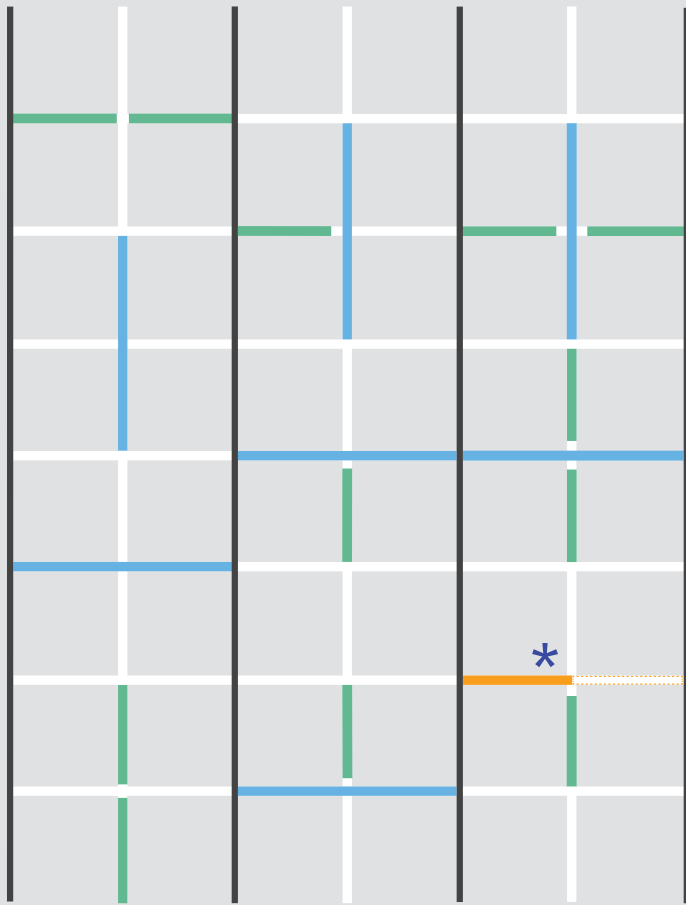


MAXIMIZED VERSATILITY

- Modular lighting system can be placed in the ceiling wherever light is needed
- Simple to relocated fixtures in flexible work space designs
- Remote low voltage power supplies can be independently controlled for up to 12 linear feet

*A simple design for an
unforgettable
architectural statement.*

Mounting Configurations

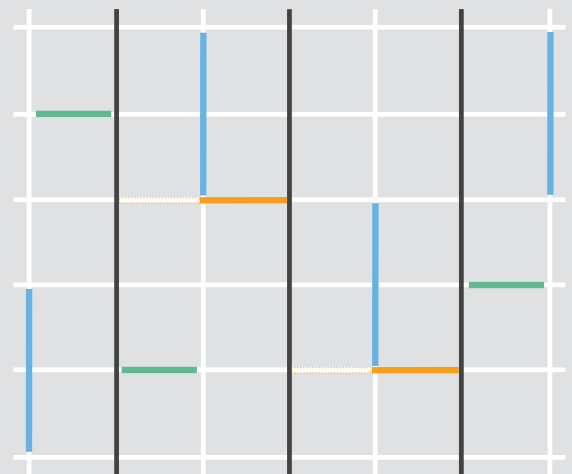
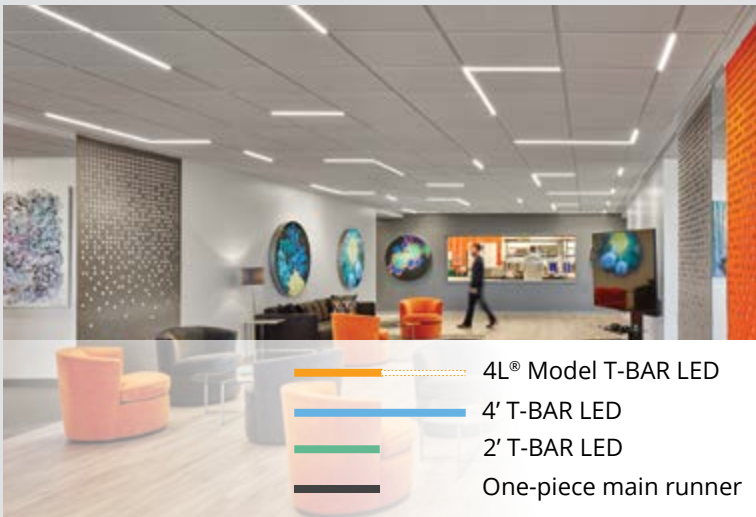


JLC-Tech products become a part of the ceiling assembly.

JLC-Tech's lighting products can be installed in many configurations simply by replacing the cross tees between the main runners of the grid ceiling assembly.

- 4' T-BAR LED
- 2' T-BAR LED
- 4L® Model T-BAR LED
- Possible positions for T-BAR LED light modules
- One-piece main runner (cannot be replaced by light modules)

Layout example for JLC-Tech products



Configuration as shown in photo to left



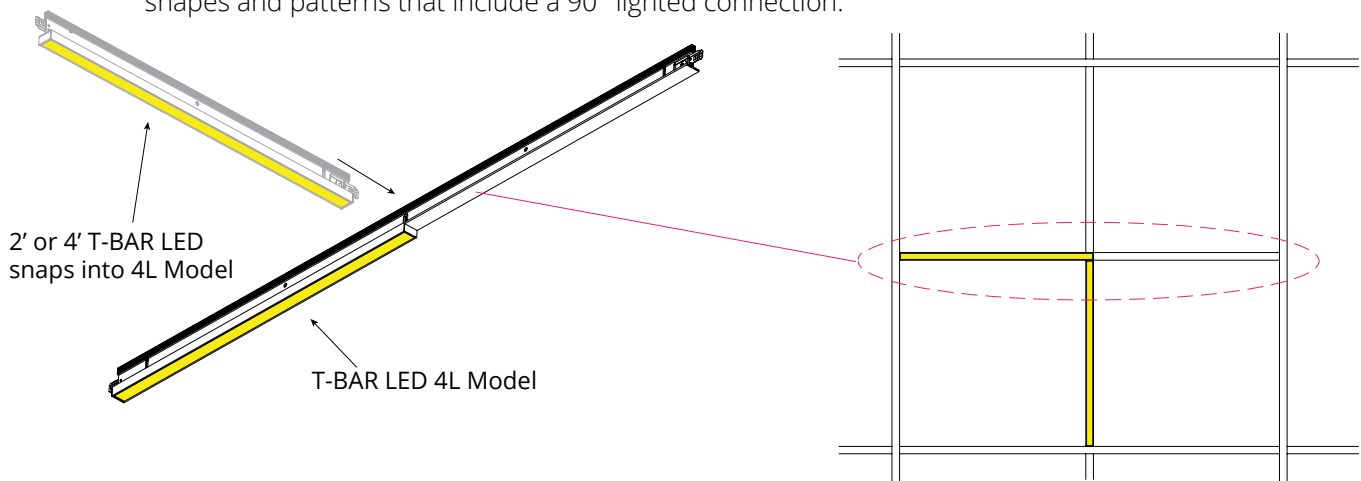
90° configuration with the 4L[®] Model

T-BAR LED can be installed in a rectangular, square or geometric trail of light, thanks to the T-BAR LED 4L Model: An easy solution for installing linear lighting at 90 degrees above conference tables, desks, in a waiting area or the contour of a room. Create geometric linear patterns of light for special general lighting or decorative projects. Available with all optic options and flat grid types.

* 4L[®] Model

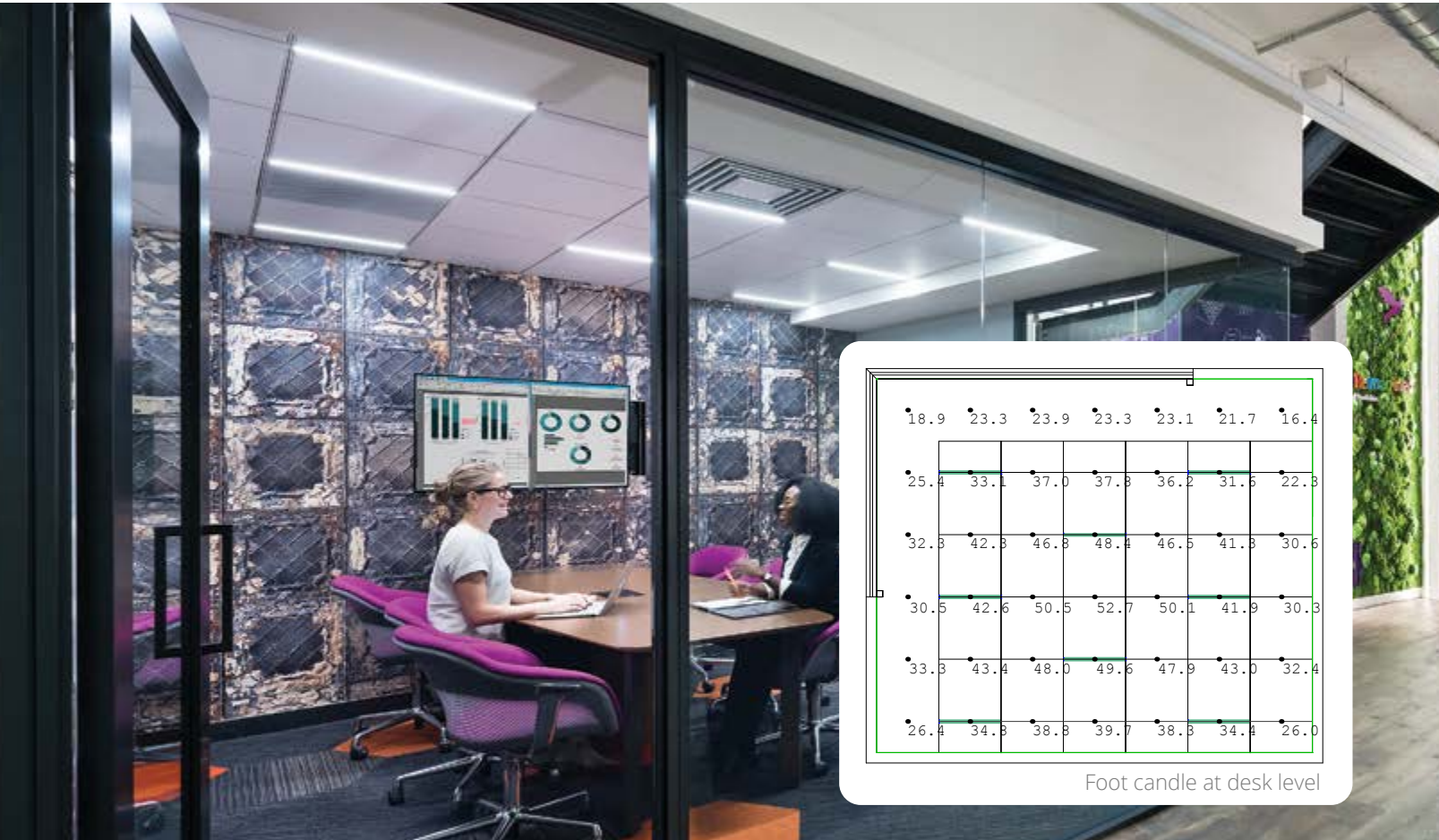
90° configurations are possible by using our 4L Model

This model is illuminated on only two feet of its length, while the other two feet are machined flat to replicate a standard flat cross tee. By selecting the 4L Model you will be able to create shapes and patterns that include a 90° lighted connection.



Lighting Layout Examples

With the T-BAR LED, lighting can now be placed where the designer needs and wants illumination. No longer is it necessary to work with high lumen output from one 2'x2' or 2'x4' light source in a room. Like a beacon, these sources of light waste precious lumens in one area, while leaving others completely in the dark.



AARP Renovation Project – Washington, D.C.
OPX Design Consultancy

Room dimensions: **13.46' x 12.21'**

Ceiling height: **9'**

Quantity of product:

8 pcs – TBSL-MW-2-15-D-U-W

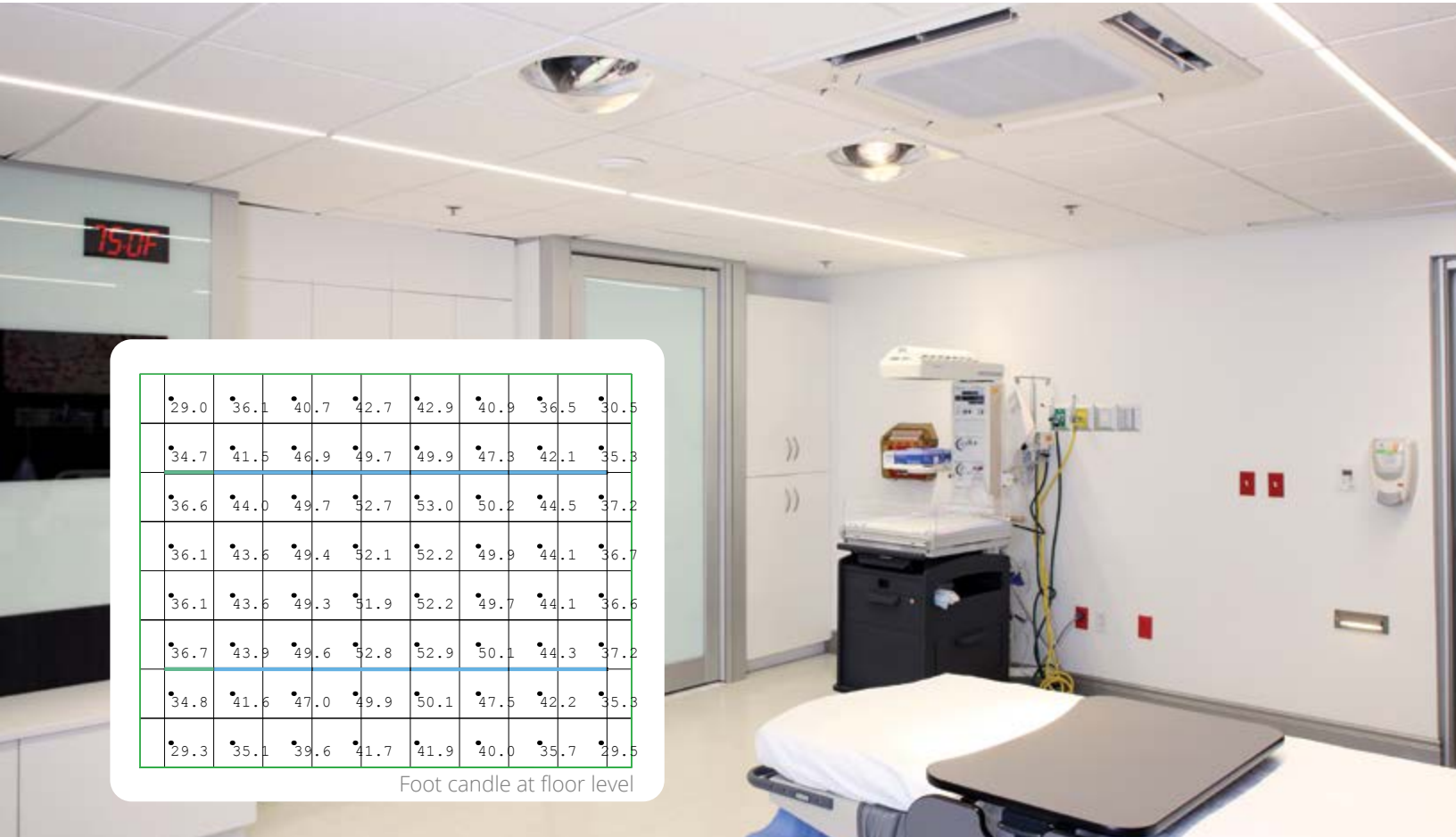
T-BAR LED 2' Diffusing Lens 9/16" (3500K)

Average foot candle achieved at desk level:

35.6 Fc



The T-BAR LED can be placed over desks or evenly installed down hallways. The lighting can be staggered in a room to obtain a harmonious illumination or in a continuous row to create a long linear layout. Whatever the purpose for the space, the designer can now match the designated area with the required foot candles.



Springhill Medical Center – Mobile, AL
AMA Lighting

Room dimensions: **16' x 20'**

Ceiling height: **9'**

Quantity of product:

2 pcs - TBSL-MW-2-24-D-U-W

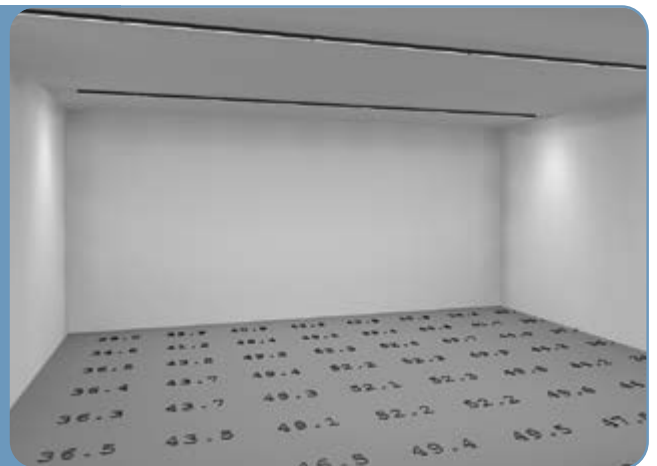
T-BAR LED 2' Diffusing Lens 15/16" (3500K)

8 pcs - TBSL-MW-4-24-D-U-W

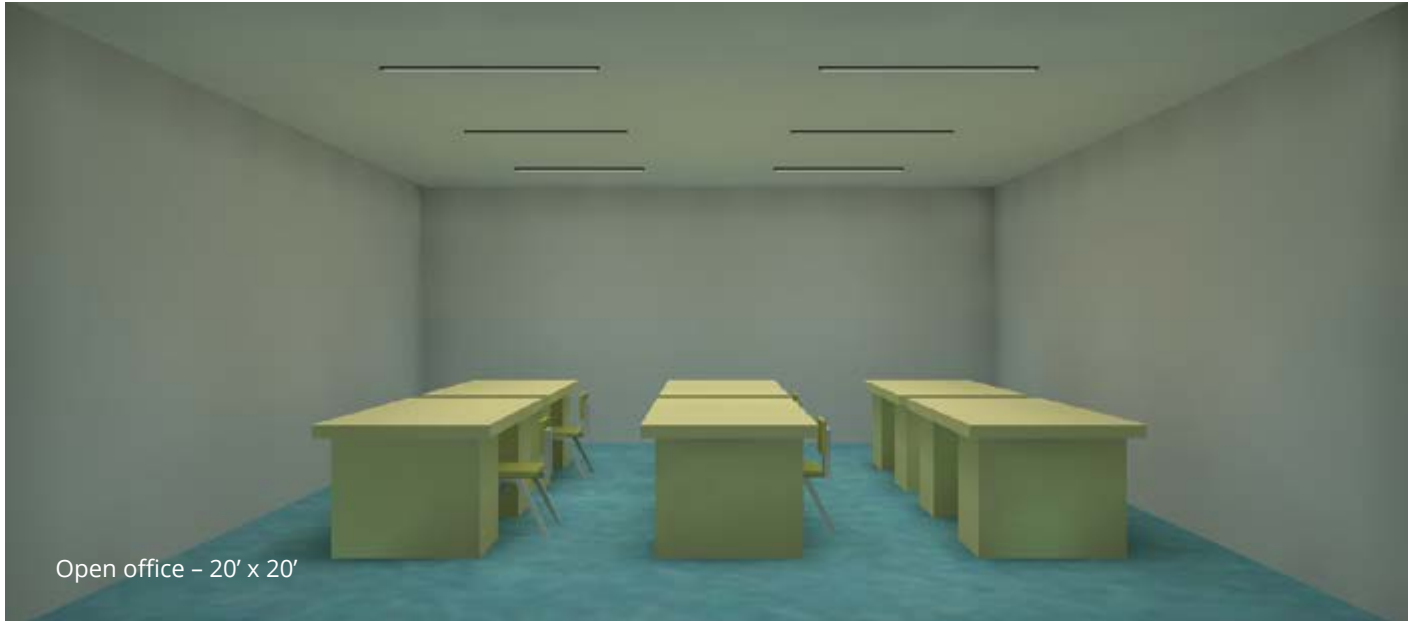
T-BAR LED 4' Diffusing Lens 15/16" (3500K)

Average foot candle achieved at floor level:

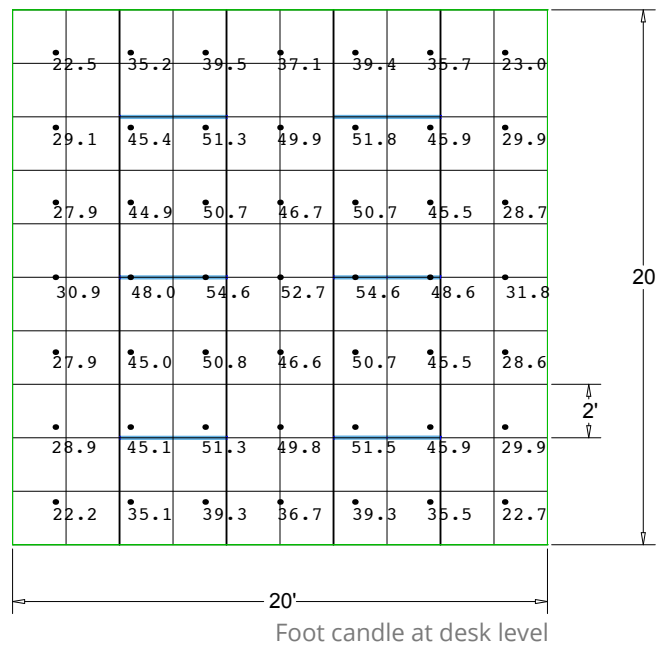
38.8 Fc



Lighting Layout Examples



Open office – 20' x 20'



Room dimensions: 20' x 20'

Ceiling height: 9'

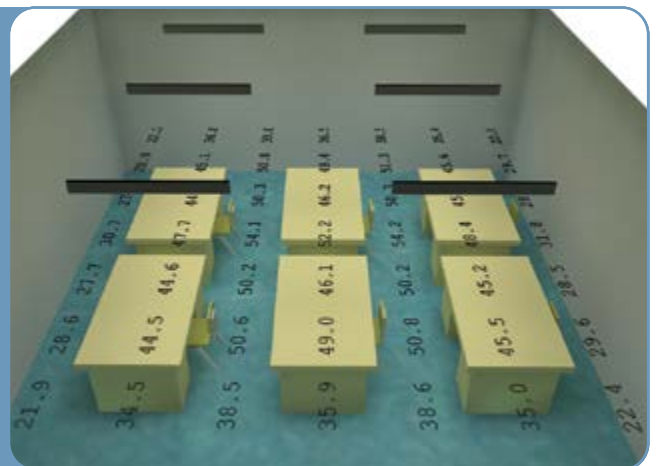
Quantity of product:

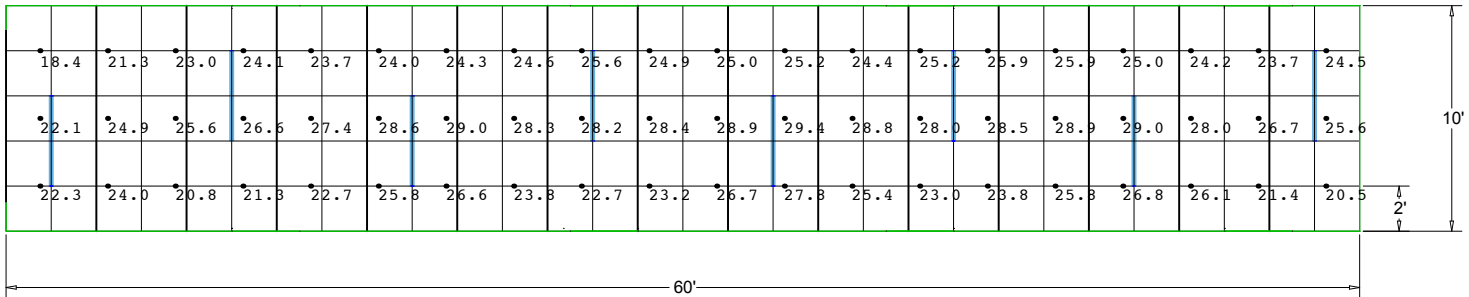
6 pcs – TBSL-HN-4-24-D-X-W

T-BAR LED 4' Diffusing Lens 15/16" (4500K)

Average foot candle achieved at desk level:

40 Fc



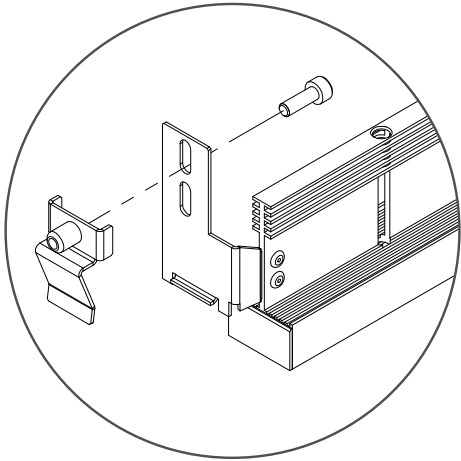


Foot candle at floor level

Room dimensions: **60' x 10'**
 Ceiling height: **9'**
 Quantity of product:
8 pcs - TBSL-HN-4-24-D-X-W
T-BAR LED 4' Diffusing Lens 15/16" (4500K)
 Average foot candle achieved at floor level:
25 Fc



Two Easy Installations for Suspended Ceiling Systems

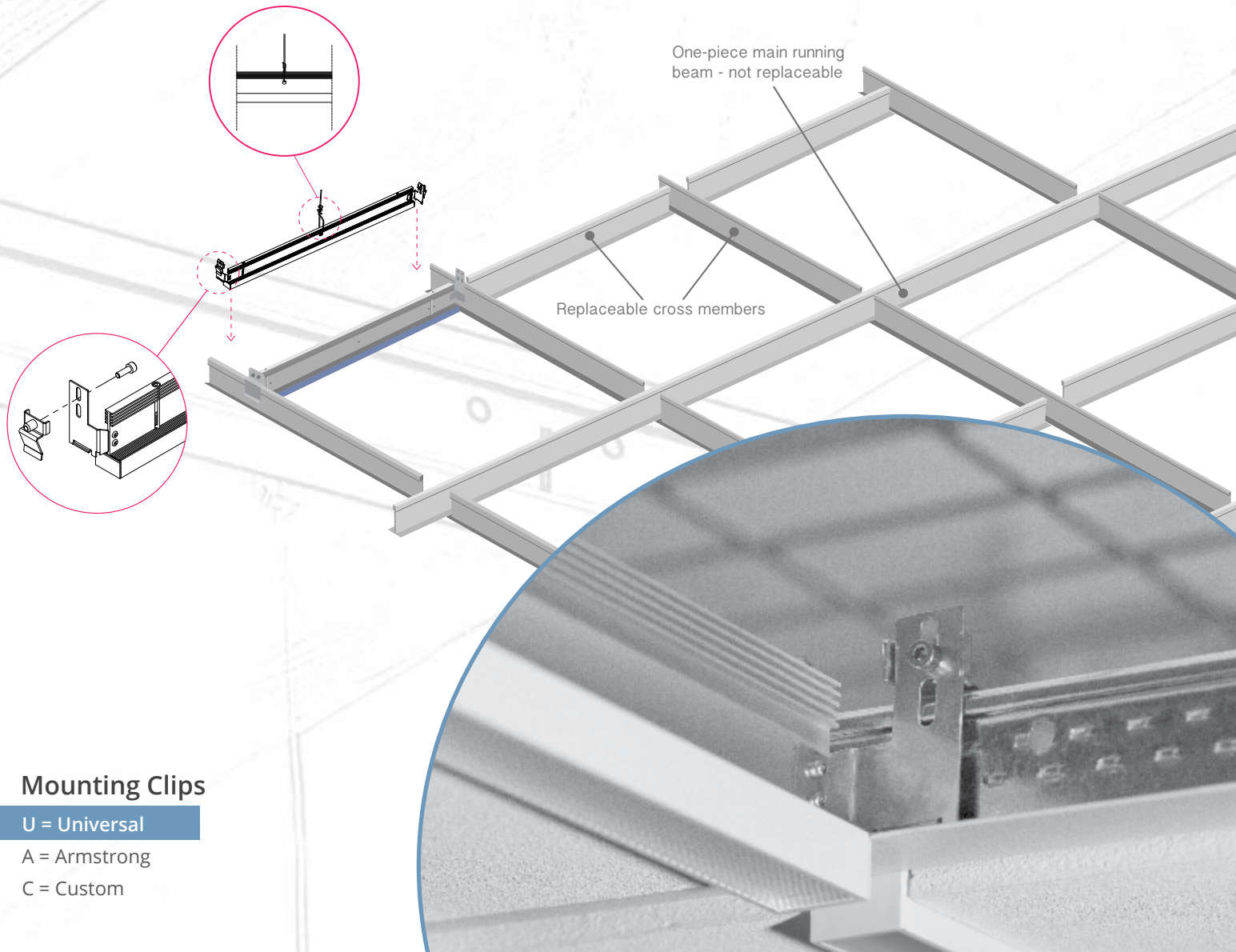


UNIVERSALLY COMPATIBLE CLIP

Specially designed brackets are mounted at each end of the fixture for easy installation into most manufacturers' standard 15/16" or 9/16" ceiling suspension systems. T-BAR LED replaces selected cross tees of the grid ceiling suspension system where light is desired. (See Universal Clip installation instruction for more details.)

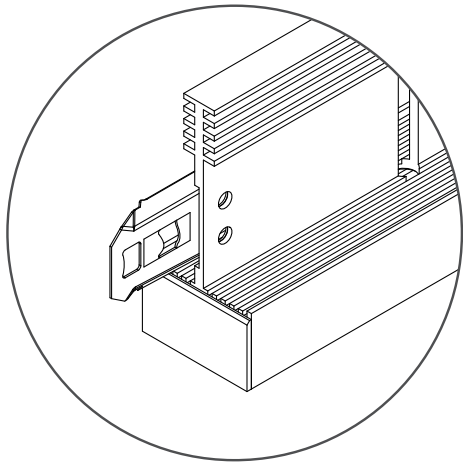
T-BAR LED | Order Specification Guide

Optic	Mounting Clips	Color	Options
D = Diffusing Lens	U = Universal	W = White	CP = Chicag
DW = Diffused White	A = Armstrong	B = Black	IP65 = IP65
B = Block Clear Diffusing Lens	W = Specialty Wood	C = Custom	POE = Powe
B2 = Block Frosted Diffusing Lens	C = Custom		Ether
C2 = Multi-Reflector			



Mounting Clips

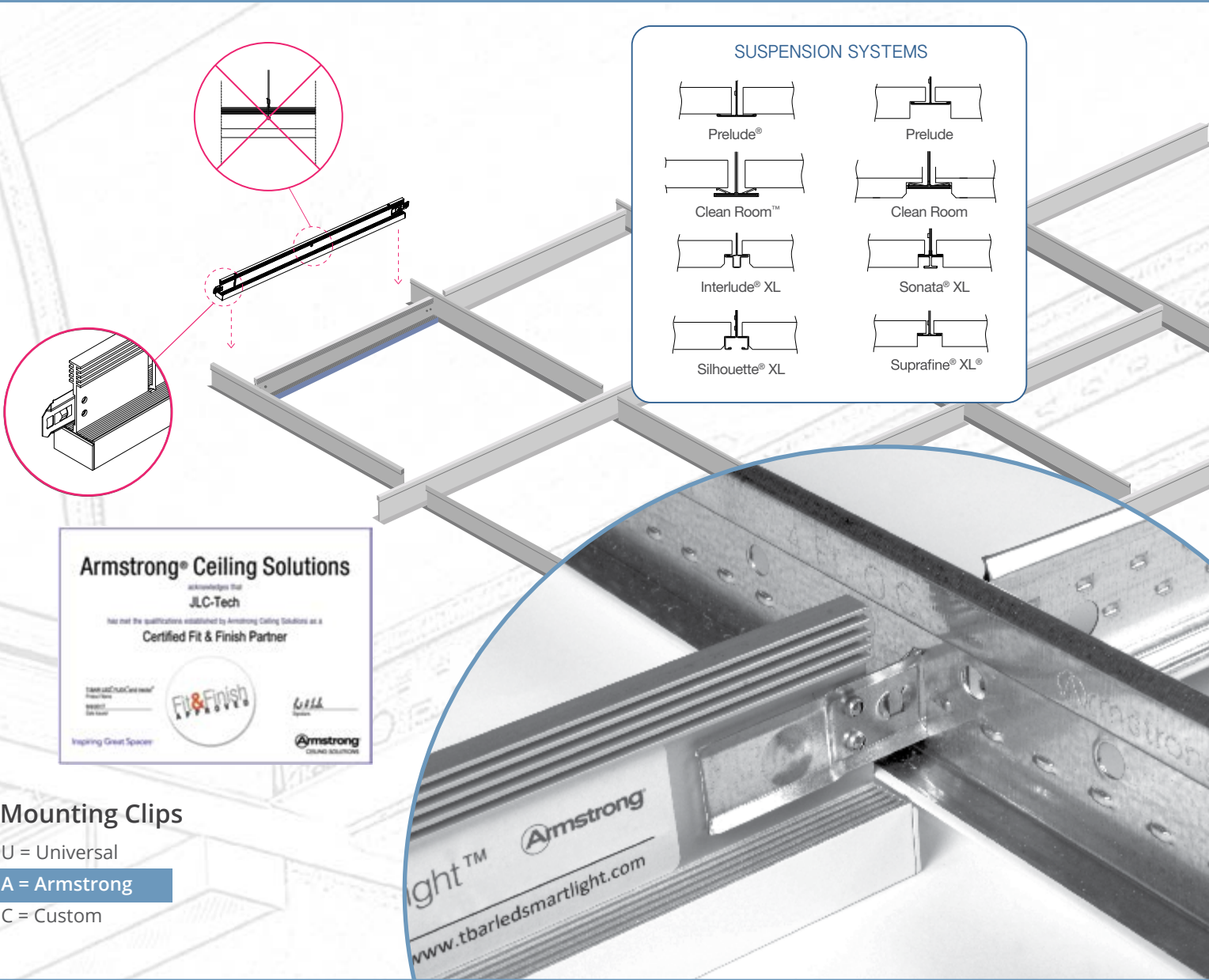
- U = Universal**
- A = Armstrong
- C = Custom



Armstrong® COMPATIBLE CLIP

World Industries

Specifically designed by Armstrong Ceiling Solutions for JLC-Tech, the X-LED clip is mounted at each end for easy installation into Armstrong 15/16" or 9/16" ceiling suspension systems. This allows the fixture to become a part of the certified ceiling assembly, eliminating the need for support wires. T-BAR LED replaces selected cross tees of the grid ceiling suspension system where light is desired. (See Armstrong Ceiling Compatible Clip installation instruction for more details.)



SUSPENSION SYSTEMS	
Prelude®	Prelude
Clean Room™	Clean Room
Interlude® XL	Sonata® XL
Silhouette® XL	Suprafine® XL®

Armstrong® Ceiling Solutions
 acknowledges that
JLC-Tech
 has met the qualifications established by Armstrong Ceiling Solutions as a
Certified Fit & Finish Partner

Inspiring Great Spaces

Mounting Clips

U = Universal

A = Armstrong

C = Custom





T-BAR LED[®]

tunable white

The T-BAR LED with tunable white maximizes the benefits of circadian lighting for enhanced health, comfort, and productivity. JLC-Tech's architecturally integrated luminaires enhance the comfort in an environment with improved acoustics and even foot candles. Tunable white technology adds the ability to control the color of light of the T-BAR LED which makes for a truly human-centric focused lighting solution. Utilizing a tuning range from 2700K to 5000K allows for a wide choice of CCT, while closely following the black body curve for accurate light rendering. Offering our DMX Driver Kit allows for precise control of both color and intensity with a wide range of compatible systems.

T-BAR LED Tunable White is available in the following products:

- Diffusing Lens*
- Block Clear Diffusing Lens*
- Block Frosted Diffusing Lens*
- Asymmetric*
- Directional Sign*
- Also available in T-BAR UP[®]*

LED/K Color

- HW = 3000K
- MW = 3500K
- MN = 4000K
- HN = 4500K

TU = Tunable White 2700-5000K

Light Color Correlated Color Temperature (CCT)



T-BAR LED | Order Specification Guide

Product Name	LED/K Color	Grid Size	Grid Type	Optic
TBSL = T-BAR LED	HW = 3000K	2 = 2 ft	24 = 15/16"	D = Diffu
	MW = 3500K	4 = 4 ft	15 = 9/16"	DW = Dif
	MN = 4000K	5 = 5 ft	15B = 9/16" Bolt Slot	B = Block
	HN = 4500K	4L	24C = 15/16" Partially Concealed Grid	B2 = Blo
	CN = 5000K	Metric		C2 = Mul
	TU = 2700-5000K tunable	6 = 60 cm		C2WH =
	12 = 120 cm		C2BL = B	
	12L		A2 = Asy	
			S = Signa	

T-BAR LED® Designed for **Armstrong® Vector®**
World Industries



Grid Type

24 = 15/16"

15 = 9/16"

15B = 9/16" Bolt Slot

24C = 15/16" Partially Concealed Grid

The T-BAR LED for partially concealed grid systems is a new extrusion design by JLC-Tech. This product was specially designed to be compatible with Armstrong® Ceilings' Vector® partially concealed grid tiles and grid suspension systems. The elongated spine on the extrusion allows for the installation of the special tiles that partially conceal the grid from view.

This modified T-BAR LED is compatible with Optima®, Ultima®, Calla®, Lyra® Vector® tiles with 1/4" partially concealed reveal.

(Some mounting configuration limitations apply – refer to our website for more information.)

Patent No. 8,177,385; 9,879,850; D834,239; 178047. Additional patents are pending.

T-BAR LED | Order Specification Guide

Product Name	Type of LED/K Color	Size	Grid Type	Optic	Mounting Clips	Color	Options
TBSL = T-BAR LED	HW = 3000K MW = 3500K MN = 4000K HN = 4500K CN = 5000K TU = 2700–5000K tunable	2 = 2 ft 4 = 4 ft 5 = 5 ft 4L Metric 6 = 60 cm 12 = 120 cm 12L	24 = 15/16" 15 = 9/16" 15B = 9/16" Bolt Slot 24C = 15/16" Partially Concealed Grid	D = Diffusing Lens DW = Diffused White B = Block Clear Diffusing Lens B2 = Block Frosted Diffusing Lens C2 = Multi-Reflector C2WH = White Multi-Reflector C2BL = Black Multi-Reflector AZ = Asymmetric** S = Signage	U = Universal A = Armstrong W = Specialty Wood C = Custom	W = White B = Black C = Custom	CP = Chicago Plenum rated IP65 = IP65 rated



*T-BAR LED 24C
Partially Concealed Grid*

*Prelude® Grid
with Vector® tiles*

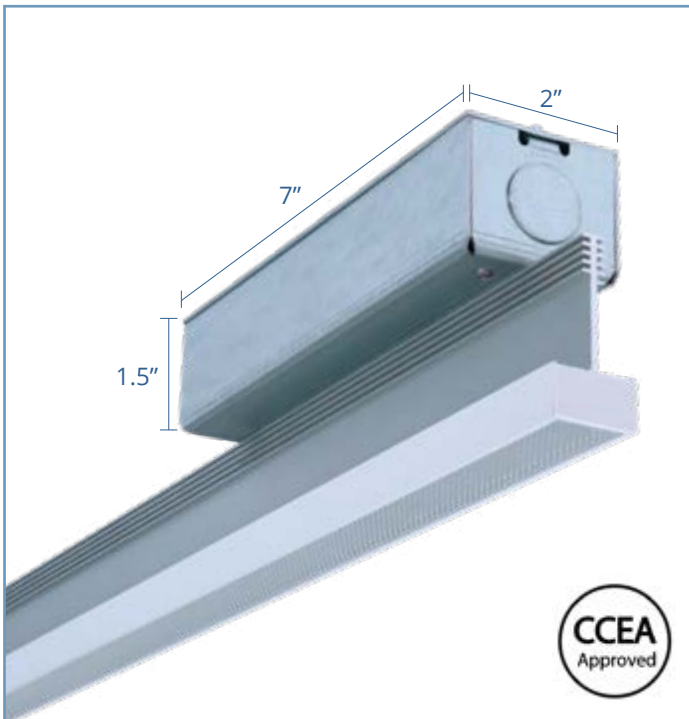


Additional Ratings for JLC-Tech Lighting Products

CHICAGO PLENUM RATED

T-BAR LED is available with a Chicago Plenum rated option, certified to CCEA-2000 standards complying with the city of Chicago Electrical Code. Chicago Plenum models are provided with a factory installed gasketed and sealed junction box for low voltage wiring connection to the remote power supply.

Remote power supply needs to be installed either in a non CP required rated area or in a CP rated enclosure (by others).



Options

CP = Chicago Plenum rated

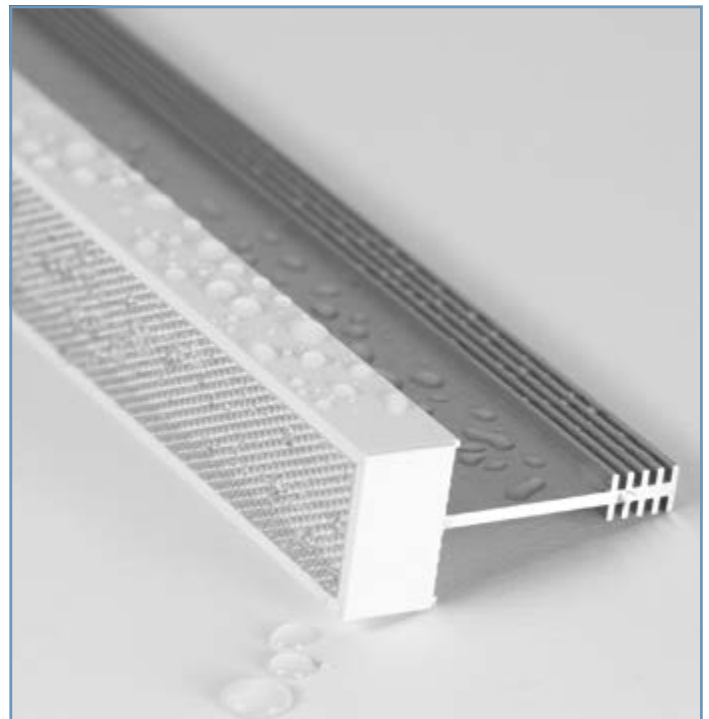
IP65 = IP 65 rated

IP65 RATED

available for damp locations upon request

JLC-Tech has created a special option for installation in damp locations requiring up to an IP65 rating. A special sealant is applied to the fixture to protect the electrical components from water and dust filtration, all while maintaining the unique and elegant aesthetic of the T-BAR LED.

The IP65 option is only available upon request, yet it can be ordered in all standard optical models with the exception of the Multi-Reflector lens and the T-BAR TWO®.



Options

CP = Chicago Plenum rated

IP65 = IP 65 rated

T-BAR LED | Order Specification Guide

Product Name	Type of LED/K Color	Size	Grid Type	Optic	Mounting Clips	Color	Options
TBSL = T-BAR LED	HW = 3000K MW = 3500K MN = 4000K HN = 4500K CN = 5000K TU = 2700-5000K tunable	2 = 2 ft 4 = 4 ft 5 = 5 ft 4L Metric 6 = 60 cm 12 = 120 cm 12L	24 = 15/16" 15 = 9/16" 15B = 9/16" Bolt Slot 24C = 15/16" Partially Concealed Grid	D = Diffusing Lens DW = Diffused White B = Block Clear Diffusing Lens B2 = Block Frosted Diffusing Lens C2 = Multi-Reflector C2WH = White Multi-Reflector C2BL = Black Multi-Reflector A2 = Asymmetric** S = Signage	U = Universal A = Armstrong W = Specialty Wood C = Custom	W = White B = Black C = Custom	CP = Chicago Plenum rated IP65 = IP65 rated POE = Power over Ethernet



Cowboys Fit - Frisco, TX
Tanaka + Riley Architects



Robinson Middle School – Little Rock, AR
WER Architects





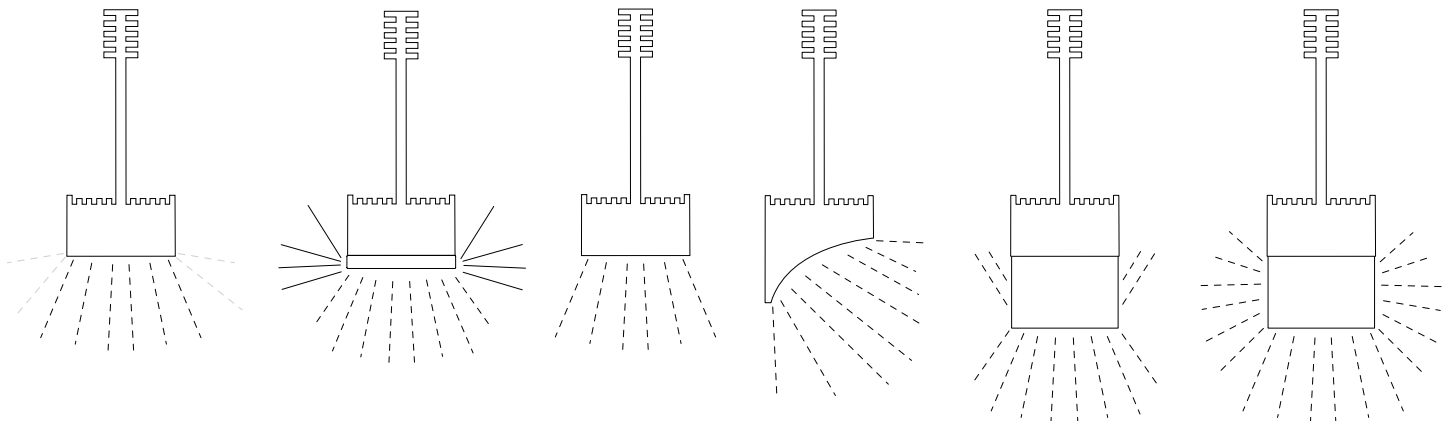
Sandbox CollABorative,
Southern New Hampshire University – Manchester, NH
Perry Dean Rogers | Partners Architects

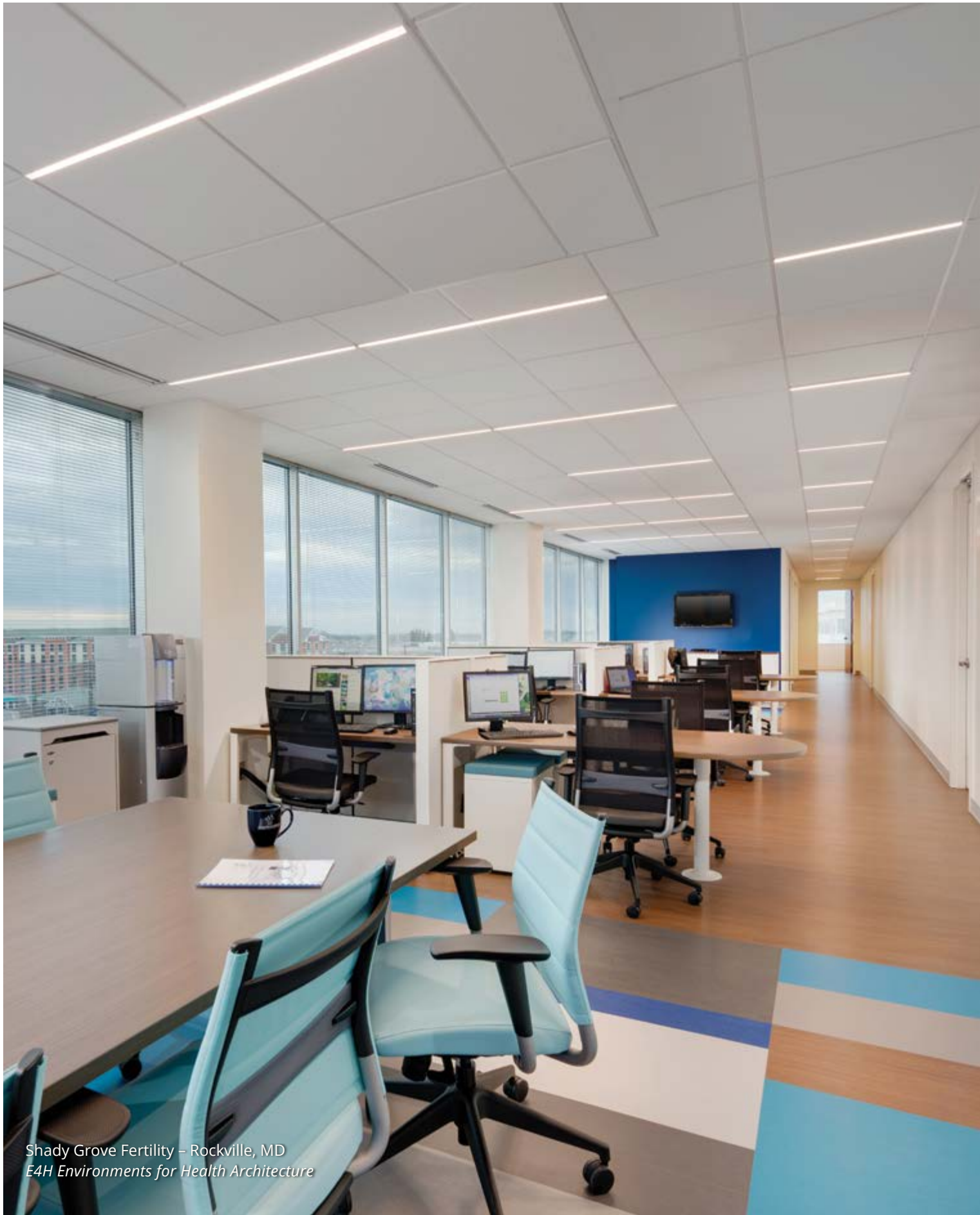
JLC-Tech Products



T-BAR LED[®]

JLC-Tech was founded in 2012 with one singular vision: to create unique and useful LED lighting fixtures. Our flagship product, the T-BAR LED, is the manifestation of our mission and dedication. Offered in numerous optic options to suit any application, the T-BAR LED provides a simple solution for your next lighting project.





Shady Grove Fertility – Rockville, MD
E4H Environments for Health Architecture

Diffusing Lens

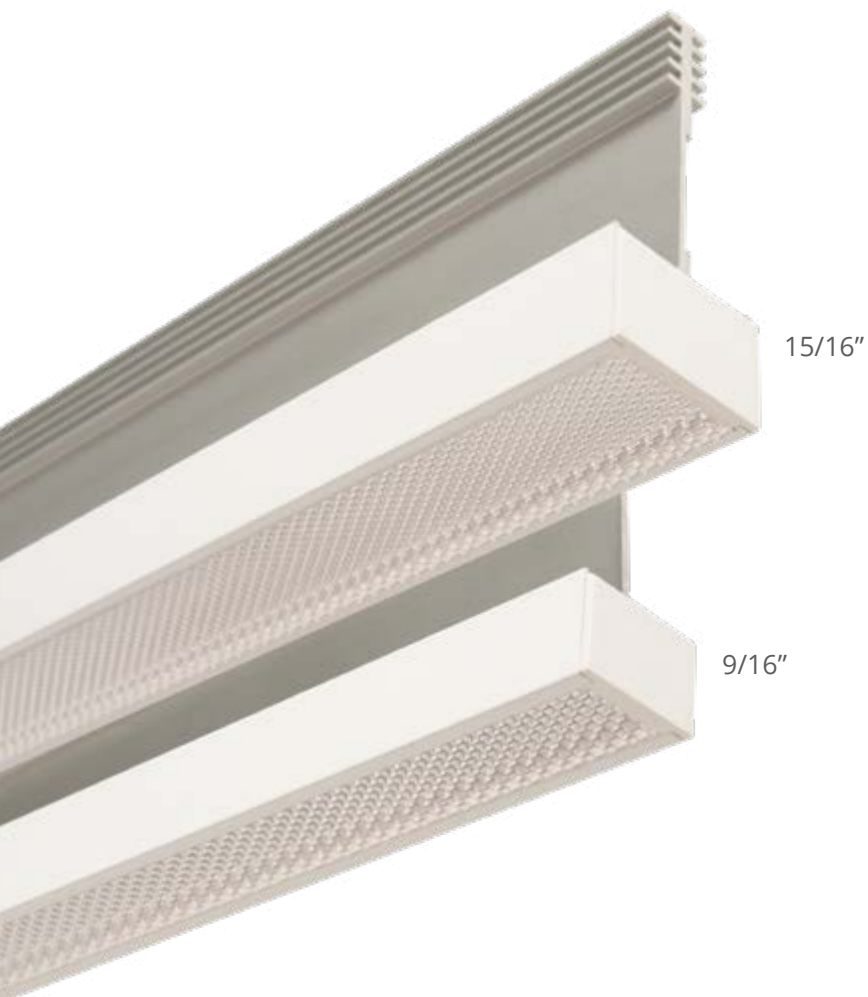
15/16" and 9/16"

PRODUCT CONCEPT

T-BAR LED with diffusing lens for direct lighting is equipped with a 95%-clear micro prismatic lens for controlled distribution: A clever choice for illuminating spaces with a lighting fixture that blends with the architectural design of your ceiling, simultaneously creating an elegantly stunning light effect. Perfect for corporate offices, medical/health, educational facilities and more.

DESCRIPTION

Anodized and painted aluminum extruded body, steel mounting clips, white PC end caps, high transmitting acrylic lens with micro prisms for a low-glare effect.





St. Louis University High School, Robotics Makerspace Lab – St. Louis, MO
Hastings + Chivetta Architects



Rhode Island College, Gaige Hall - Providence, RI
LLB Architects / Abernathy Lighting Design



Diffused White

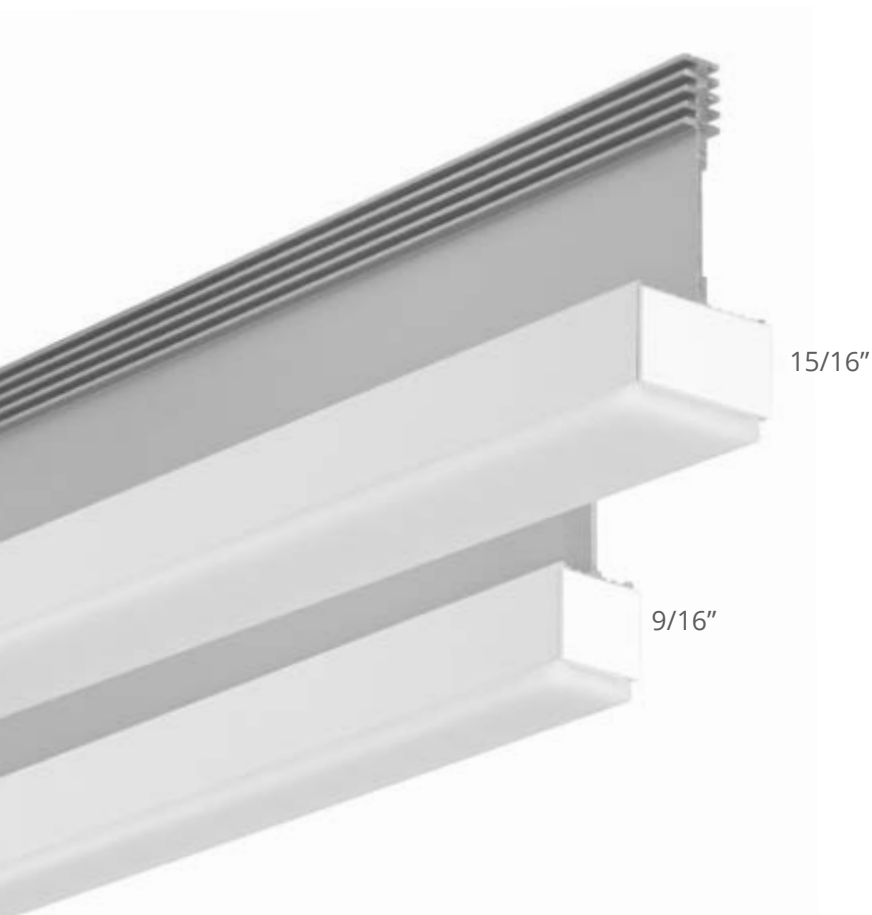
15/16" and 9/16"

PRODUCT CONCEPT

T-BAR LED with Diffused White optic uses a specially engineered optical extrusion, precisely blended with light diffusion particles to allow for uniform illumination within a minimalistic form factor. The Diffused White lens eliminates visible imaging of the LEDs while simultaneously shaping the light for a discrete direct/indirect light distribution, providing a soft illumination on the adjacent ceiling tiles to improve overall visual comfort.

DESCRIPTION

Anodized and painted aluminum extrusion body, steel mounting clips, white PC end caps, extruded acrylic lens with no visible LEDs.





Coast Industrial Systems - San Diego, CA
FS Design Group



Coast Industrial Systems – San Diego, CA
FS Design Group



Multi-Reflector

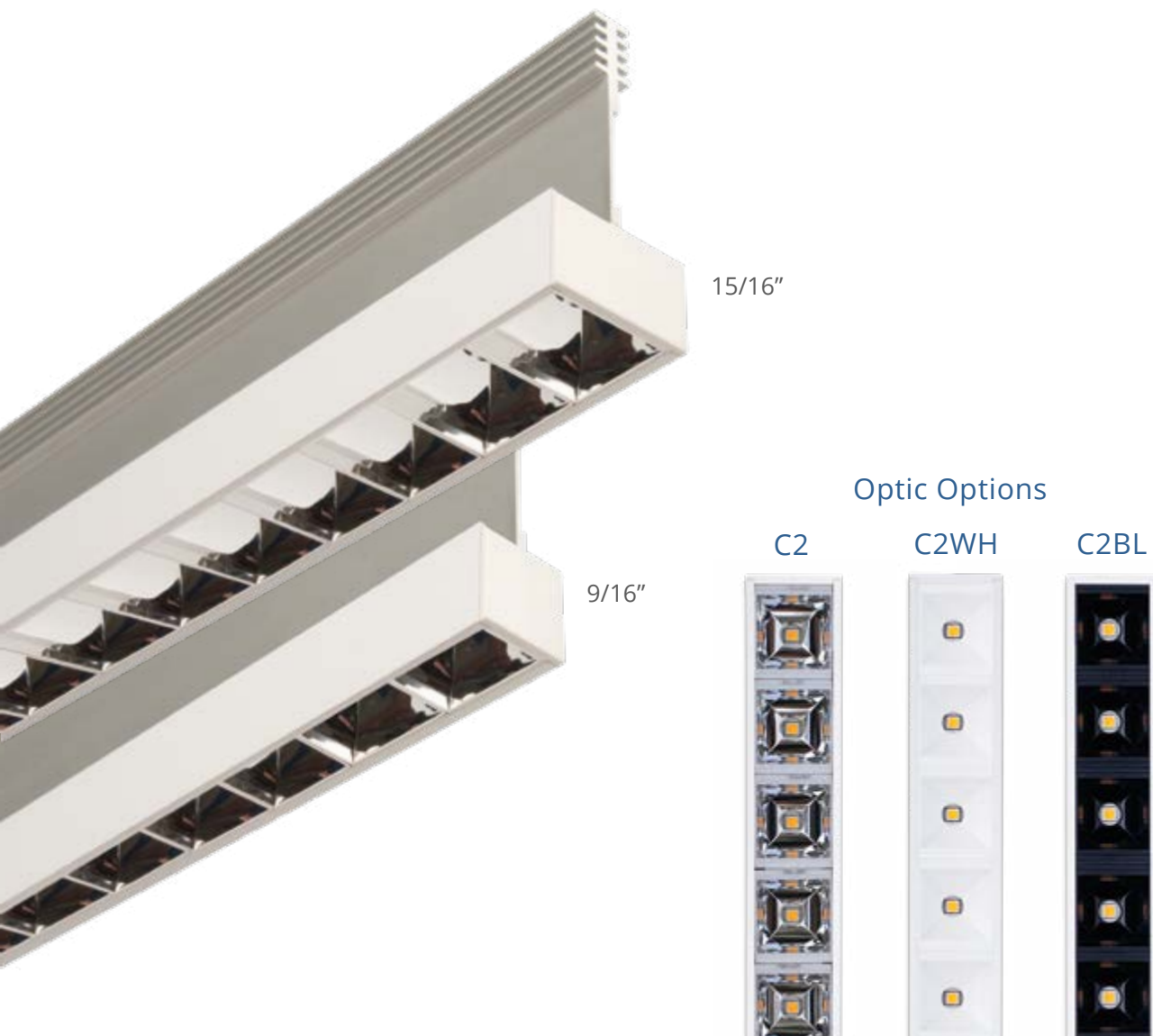
15/16" and 9/16"

PRODUCT CONCEPT

T-BAR LED with full cut-off reflector over each LED and tighter LED spacing for luminance sensitive applications. Ideal for areas with strict glare requirements, while still offering the benefits of a concentrated angle of light on desired task areas.

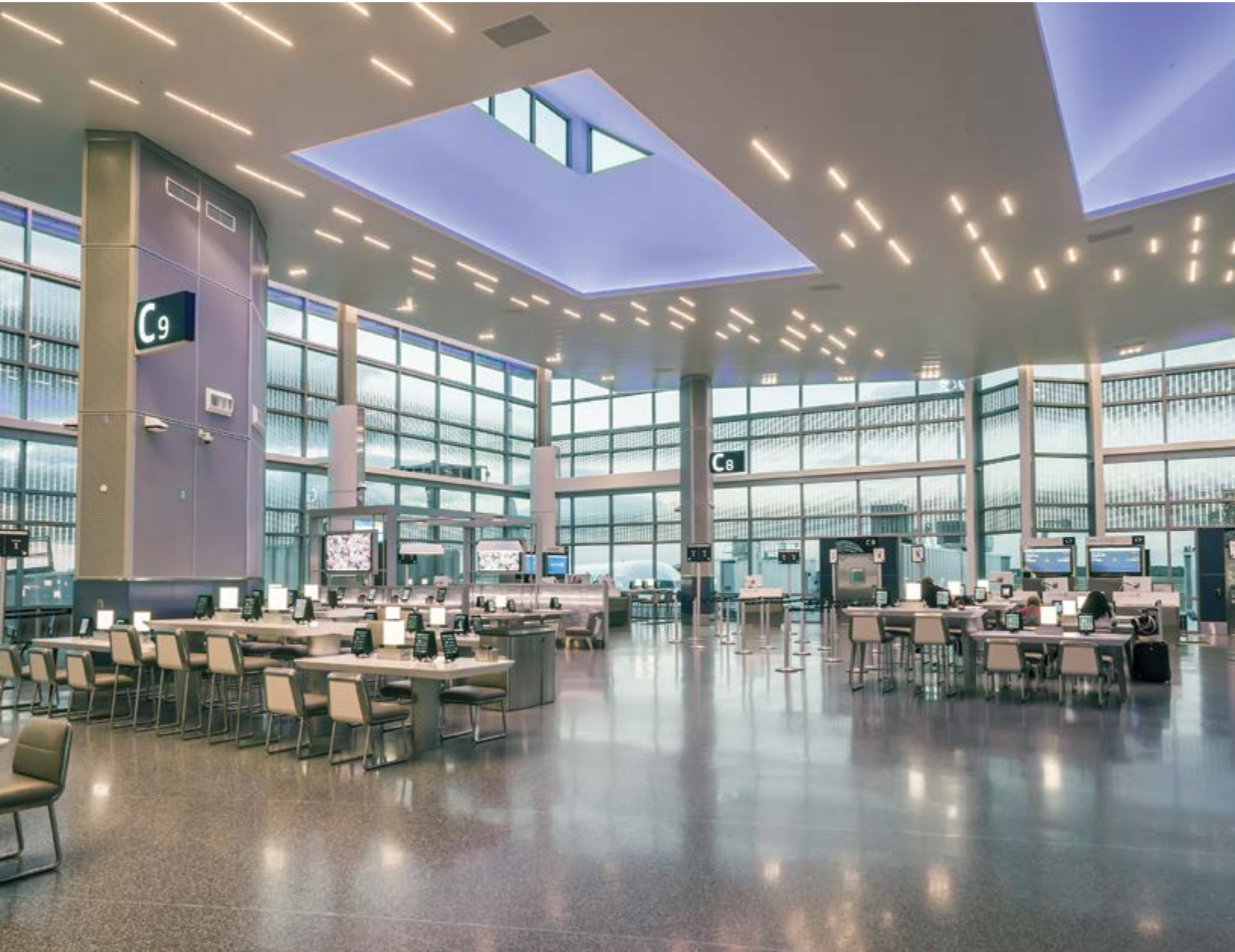
DESCRIPTION

Anodized and painted aluminum extruded body, steel mounting clips, white PC end caps, high reflectance 98% aluminum-coated or white or black PC reflectors on each LED for an intense direct and dark-light effect.





Veritas Pension Insurance Company – Kupittaa, Turku, Finland
KVA Architects, Helsinki and Sweco Talotekniikkaa, Turku



George Bush Intercontinental Airport,
United Terminal C North Concourse – Houston, TX
HLB Lighting Design / Pierce Goodwin Alexander & Linville



Private Office - Boston, MA

Asymmetric

15/16" and 9/16"

PRODUCT CONCEPT

T-BAR LED with asymmetric lens is designed with a shielded profile on one side and a micro-ribbed asymmetrical lens that allows for full wall illumination, ceiling to floor. This is a perfect minimalistic solution for achieving the desired wall washing effects without seeing the light source from the opposite side.

DESCRIPTION

Anodized and painted aluminum extruded body, steel mounting clips, white PC end caps, high transmitting acrylic lens with asymmetric micro-ribbed lines for wall wash illumination.





New England Health Insurance Provider - Hingham, MA
Margulies Perruzzi



Private Office – Boston, MA



American National Red Cross – Washington, D.C.
HOK / LOOP Lighting

Block Clear Diffusing Lens

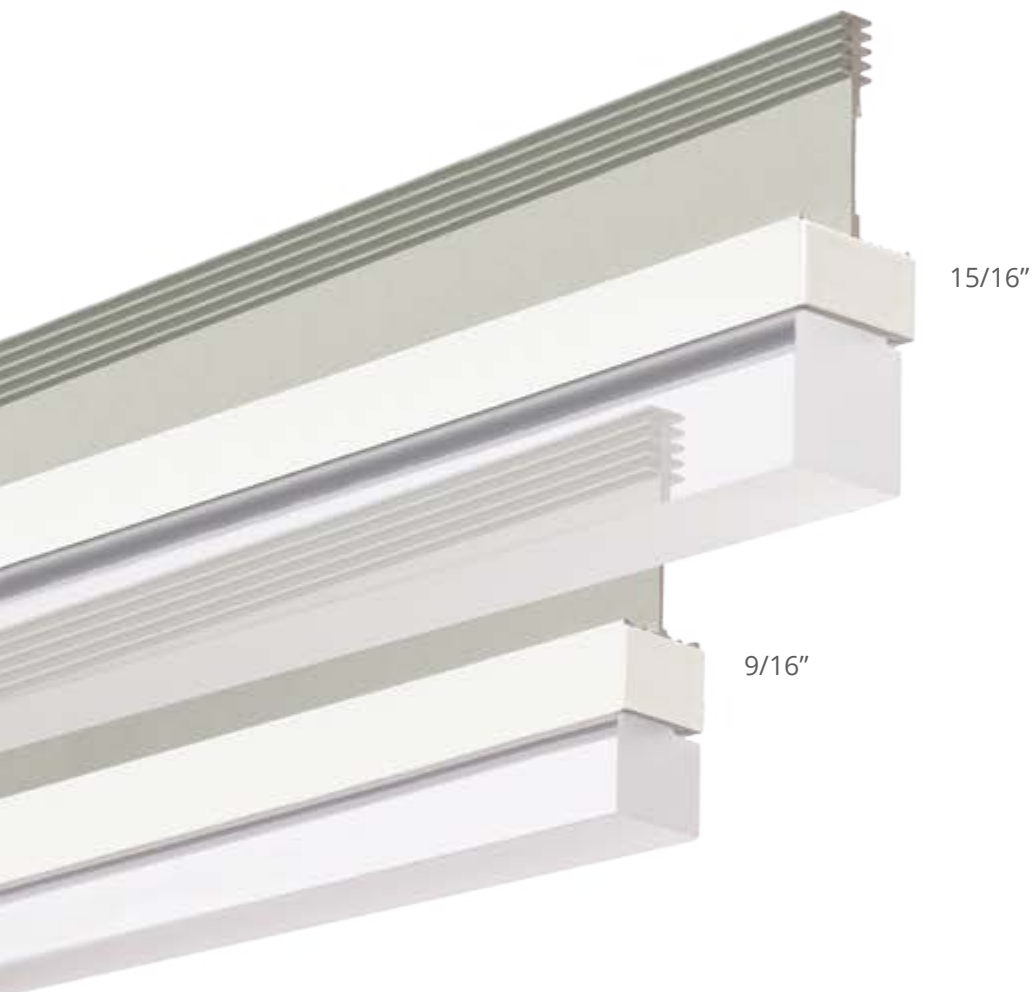
15/16" and 9/16"

PRODUCT CONCEPT

T-BAR LED with acrylic block diffuser has an added unique combination of direct and indirect illumination. Designed with satin edges and clear sides, this model creates a particular architectural statement while distributing the lumens over the entire space. Create an array of linear geometrical light patterns or use this as an accent light for special decorative projects.

DESCRIPTION

Anodized and painted aluminum extruded body, steel mounting clips, white PC end caps, acrylic block diffusing lens, satin edges and clear sides, to allow the light to diffuse for a direct and indirect lighting combination.





Invictus Law – Virginia Beach, VA
T Design, Inc.



American Beverage Association – Washington, D.C.
FOX Architects



DPR Construction - Orlando, FL
Little Diversified Architectural Consulting

Block Frosted Diffusing Lens

15/16" and 9/16"

PRODUCT CONCEPT

T-BAR LED with white frosted block lens is designed with all white frosted edges and sides. This model creates an elegant even glow of light with a 180 degree light distribution.

DESCRIPTION

Anodized and painted aluminum extruded body, steel mounting clips, white PC end caps, acrylic block diffusing lens, white frosted edges and sides, to allow the light to diffuse in all directions.





Leidos Headquarters – Reston, VA
SBLD Studio



Arizona State University, Murdock Hall - Tempe, AZ
Larson Associates Architects



Bob Swope Ford Dealership – Elizabethtown, KY
Engineered Lighting Sales, Inc.



Logan Building – Seattle, WA
DLR Group

T-BAR LED with Directional Sign

15/16" and 9/16"

PRODUCT CONCEPT

The T-BAR LED Directional Sign is made of PMMA acrylic with diffusing edges to allow for the double function of lighting device and signage. This is a great solution for customized signage that also maintains a modern uniform lighting design throughout the architectural space.

DESCRIPTION

Anodized and painted aluminum extruded body, steel mounting clips, white PC end caps, acrylic block, satin edges and clear sides, to allow the light to diffuse. Laser etched letters or logos as per customer request. Custom sizes and colors available upon request.





McDonald Electric - Hingham, MA



220 Portage Ave. - Winnipeg, MB Canada
Raymond SC Wan Architects

Product Name	LED/K Color	Grid Size	Grid Type	Optic	Mounting Clips	Color	Options
TBSL = T-BAR LED	HW = 3000K	2 = 2 ft	24 = 15/16"	D = Diffusing Lens	U = Universal	W = White	CP = Chicago Plenum
	MW = 3500K	4 = 4 ft	15 = 9/16"	DW = Diffused White	A = Armstrong	B = Black	IP65 = IP65*
	MN = 4000K	5 = 5 ft	15B = 9/16" Bolt Slot	B = Block Clear Diffusing Lens	W = Specialty Wood	C = Custom	POE = Power over Ethernet***
	HN = 4500K	4L	24C = 15/16" Partially Concealed Grid	B2 = Block Frosted Diffusing Lens	C = Custom		
	CN = 5000K	Metric		C2 = Multi-Reflector			
	TU = 2700-5000K tunable*	6 = 60 cm		C2WH = White Multi-Reflector			
	90 CRI available, on request.	12 = 120 cm		C2BL = Black Multi-Reflector			Optional EM Battery/Driver Kit available (sold separately).
		12L		A2 = Asymmetric**			
				S = Signage			

www.jlc-tech.com/patents

*Not available in C2 and DW Models

**Not available in 24C

***For PoE, consult factory

Diffusing Lens (D)



Diffused White (DW)



Block Clear Diffusing Lens (B)



Block Frosted Diffusing Lens (B2)



Multi-Reflector (C2)



Asymmetric Lens (A2)



Signage (S)



NOTES:

T-BAR LED modules can be parallel connected up to 12 linear feet max per power supply. Remote power supply includes JB compartment for AC input direct wiring with metal conduit. Max distance from power supply to fixtures is 30 feet with 18 AWG wire. Longer distance achievable if using higher gauge wire. IP65 and Chicago Plenum optional ratings available.

*Power supply ordered separately (refer to website).

APPLICATIONS:

Executive, Medical, Health, Educational, Retail, Hotels, Airport, Hospitality and any open space areas that require a unique and elegant architectural lighting design.

MOUNTING:

Universal mounting brackets are for easy installation to standard 15/16" or 9/16" T-Bars of most manufacturers' ceiling suspension systems. Armstrong compatible mounting clips for installation with Armstrong Ceiling 15/16" Prelude® and Clean Room™, 9/16" Suprafine®, Silhouette®, Sonata® and Interlude® suspension systems. Compatible with Tegular, Lay-in, and Partially Concealed tiles. Mounting Clips "W" for grille and plank specialty wood ceilings, consult factory for ceiling specific shop drawings details.

MATERIALS:

Anodized and painted aluminum extruded body, steel mounting clips, white PC end caps, high transmitting acrylic PMMA lens, (D, DW, B/B2 Models), high reflectance 98% aluminum coated or white or black PC reflectors on each LED for a dark light effect, (C2 Models).

ELECTRIC:

Fixture consumes 16W total (2 foot) or 32W total (4 foot) or 40W total (5 foot). Power supply consumption not included. Input voltage 24VDC. Class 2 plenum rated cables at each end equipped with quick connectors to allow multiple modules to be easily connected together (max 12 linear feet of product). Use solid copper wire or wire ferrules to fit into quick connectors. For EM Battery/Driver Kit order separately. PoE options available, consult factory.

WARRANTY:

5 years

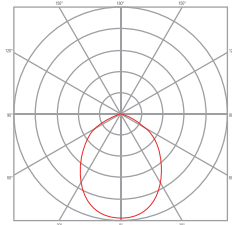
LISTINGS:

ETL/cETLus CE RoHS. Indoor use only. IC Rated. IP 40, IP 20 (C2 Models).



Photometrics CRI = >82

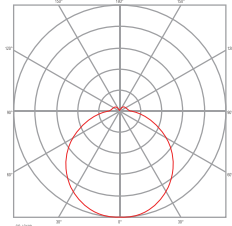
$L_{80} > 60K$ hrs



15/16" Diffusing Lens 4000K

D = Diffusing Lens

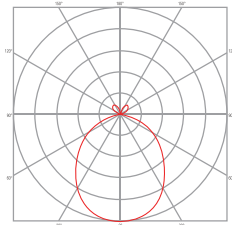
Grid Type	Output (lm/ft)	Power (watts/ft)	Efficacy (lm/W)
24 = 15/16"	584	8	75
15 = 9/16"	445	8	54



15/16" Diffused White Lens 4000K

DW = Diffused White

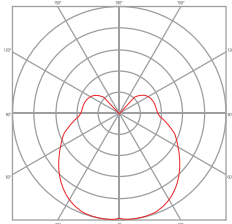
Grid Type	Output (lm/ft)	Power (watts/ft)	Efficacy (lm/W)
24 = 15/16"	532	8	73
15 = 9/16"	377	8	51



15/16" Block Clear Diffusing Lens 4000K

B = Block Clear Diffusing Lens

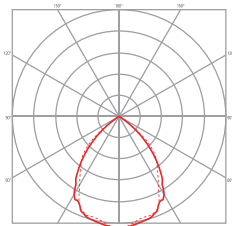
Grid Type	Output (lm/ft)	Power (watts/ft)	Efficacy (lm/W)
24 = 15/16"	564	8	72
15 = 9/16"	438	8	56



15/16" Block Frosted Diffusing Lens 4000K

B2 = Block Frosted Diffusing Lens

Grid Type	Output (lm/ft)	Power (watts/ft)	Efficacy (lm/W)
24 = 15/16"	586	8	75
15 = 9/16"	460	8	59

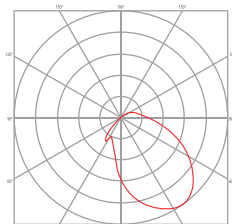


15/16" Multi-Reflector 4000K

C2 = Multi-Reflector (Metalized finish)

Grid Type	Output (lm/ft)	Power (watts/ft)	Efficacy (lm/W)
24 = 15/16"	784	8	100
15 = 9/16"	769	8	98

*C2WH and C2BL IES files available on www.jlc-tech.com



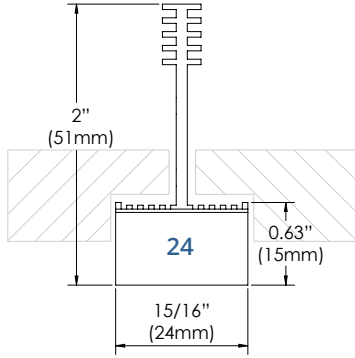
15/16" Asymmetric 4000K

A2 = Asymmetric

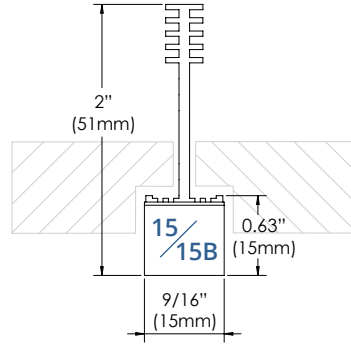
Grid Type	Output (lm/ft)	Power (watts/ft)	Efficacy (lm/W)
24 = 15/16"	582	8	75
15 = 9/16"	484	8	62

*Complete photometric info and IES files are available for download at www.jlc-tech.com

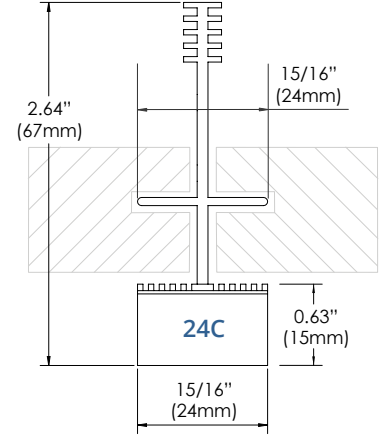
Profile Dimensions (Compatible with Tegular, Lay-in and Partially Concealed tiles)



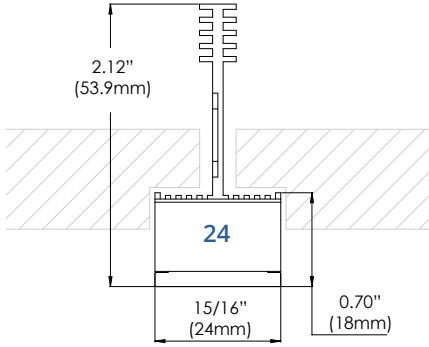
15/16" Diffusing Lens/Multi-Reflector
TBSL-XX-X-24-D/C2-X-X



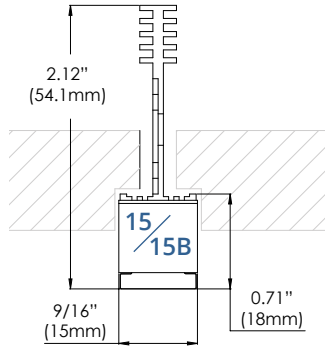
9/16" Diffusing Lens/Multi-Reflector
TBSL-XX-X-15/15B-D/C2-X-X



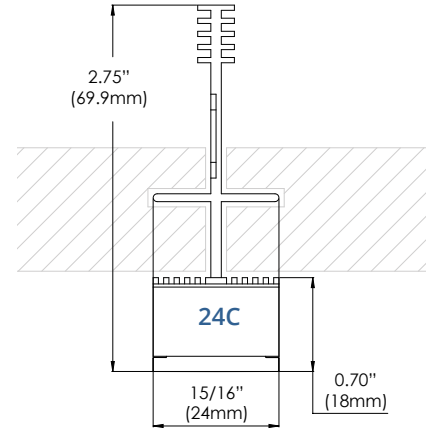
15/16" Concealed Diffusing Lens/Multi-Reflector
TBSL-XX-X-24C-D/C2-X-X



15/16" Diffused White Lens
TBSL-XX-X-24-DW-X-X

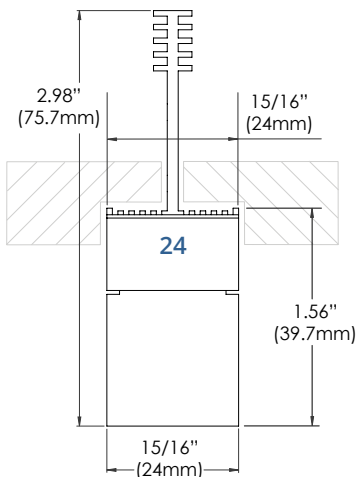


9/16" Diffused White Lens
TBSL-XX-X-15/15B-DW-X-X

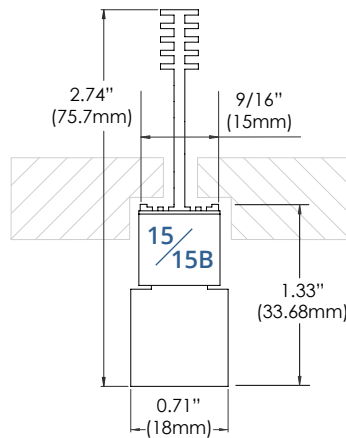


15/16" Concealed Diffused White Lens
TBSL-XX-X-24C-DW-X-X

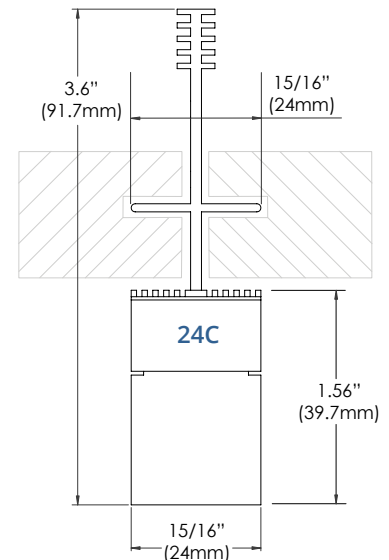
Clear block and frosted block variable heights 1/2" - 4" available, consult factory.



15/16" Block Lens
TBSL-XX-X-24-B/B2-X-X

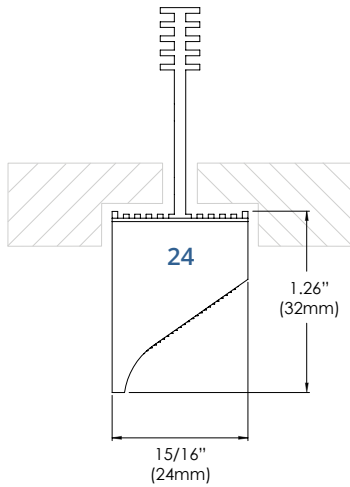


9/16" Block Lens
TBSL-XX-X-15/15B-B/B2-X-X

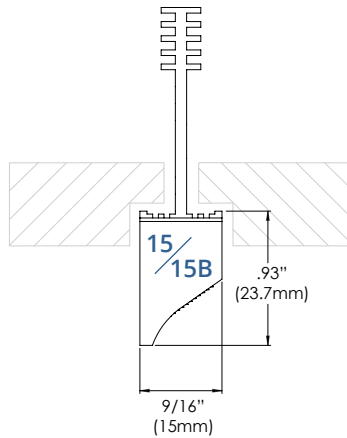


15/16" Concealed Block Lens
TBSL-XX-X-24C-B/B2-X-X

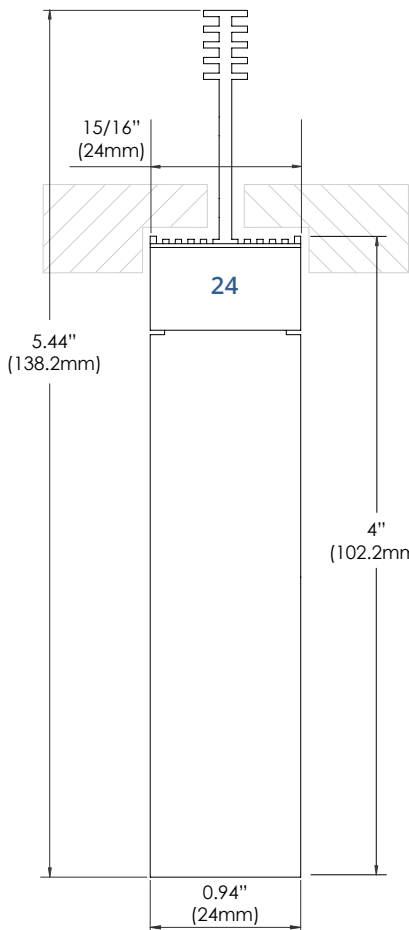
Profile Dimensions (Compatible with Tegular, Lay-in and Partially Concealed tiles)



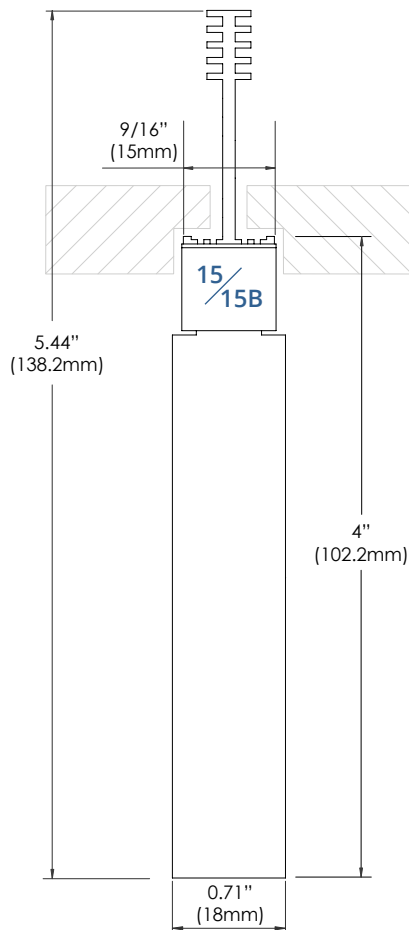
15/16" Asymmetric Lens
TBSL-XX-X-24-A2-X-X



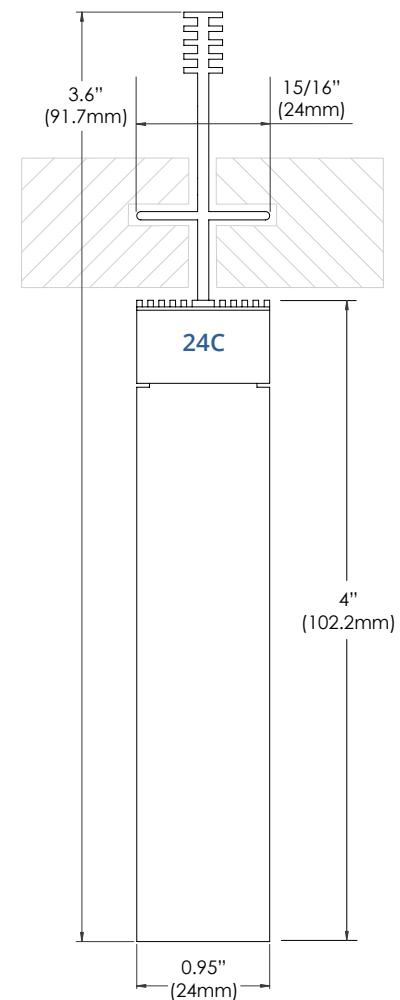
9/16" Asymmetric Lens
TBSL-XX-X-15/15B-A2-X-X



15/16" Signage
TBSL-XX-X-24-S-X-X

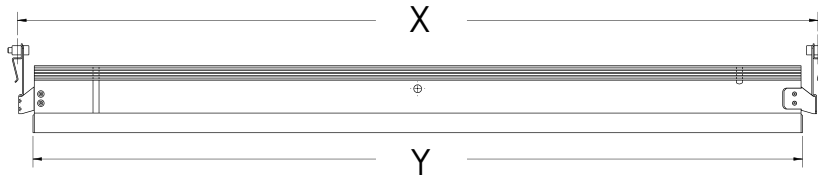


9/16" Signage
TBSL-XX-X-15-S-X-X



15/16" Concealed Signage
TBSL-XX-X-24C-S-X-X

Length Dimensions



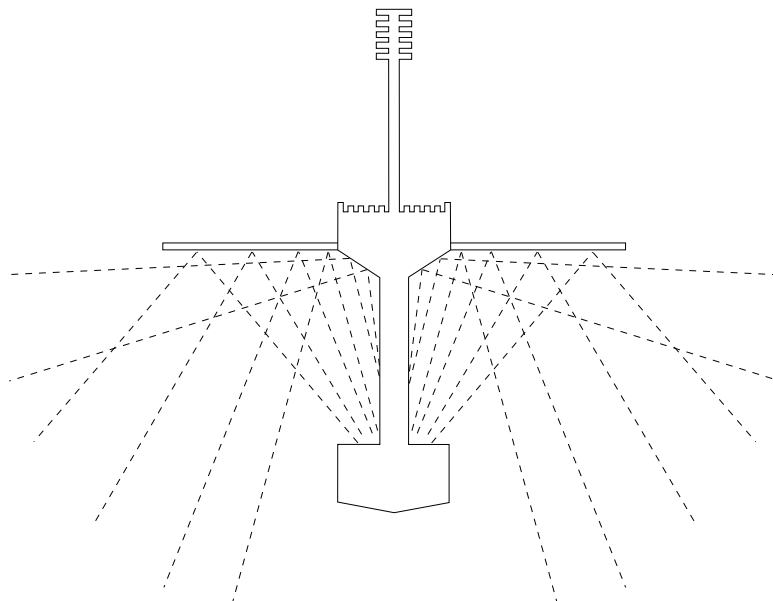
Size	Grid Type	X	Y
2 = 2ft	15/15B = 9/16"	24"	23.4"
4 = 4ft	15/15B = 9/16"	48"	47.4"
5 = 5ft	15/15B = 9/16"	60"	59.4"
4L	15/15B = 9/16"	48"	24"

Size	Grid Type	X	Y
2 = 2ft	24 = 15/16"	24"	23"
4 = 4ft	24 = 15/16"	48"	47"
5 = 5ft	24 = 15/16"	60"	59"
4L	24 = 15/16"	48"	24"

Size	Grid Type	X	Y
2 = 2ft	24C = 15/16"	24"	23.7"
4 = 4ft	24C = 15/16"	48"	47.8"

T-BAR UP[®]

The first indirect lighting product of its kind, the T-BAR UP is ideal for open-office plans and other spaces where a sleek modern design is desired. Offering fully indirect light while only extending 2" out from the ceiling plane, the low profile of the T-BAR UP enhances the interior architecture while also conserving ceiling plenum space. Utilizing JLC-Tech's patented technology, it can be installed simply by replacing the cross tees in a suspended grid ceiling. Its unique design reduces direct lighting glare providing a great solution to help meet the luminance requirement for LEED V4 and WELL Standard.





T-BAR UP

15/16" and 9/16"

PRODUCT CONCEPT

The T-BAR UP provides ambient uplight while only extending 2" below the ceiling plane. With built-in shielding for maximum light reflectance into the room, T-BAR UP can be installed into any suspended grid ceiling enhancing the architecture while also providing a more spatial effect.

DESCRIPTION

Anodized and painted aluminum extruded body, steel mounting clips, powder coated aluminum end caps, high transmitting acrylic PMMA lens.

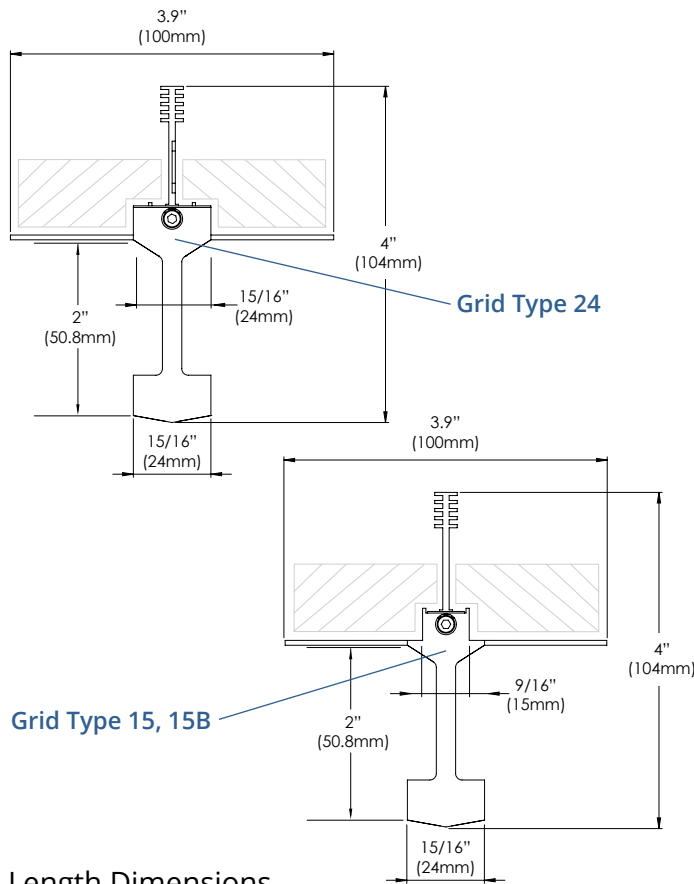


Product Name	LED/K Color	Grid Size	Grid Type	Optic	Mounting Clips	Color	Options
TBUP = T-BAR UP	HW = 3000K	2 = 2 ft	24 = 15/16"	IN = Indirect	U = Universal A = Armstrong C = Custom	W = White C = Custom	CP = Chicago Plenum POE = Power over Ethernet*
	MW = 3500K	4 = 4 ft	15 = 9/16"				
	MN = 4000K	5 = 5 ft	15B = 9/16" Bolt slot				
	HN = 4500K	Metric					
	CN = 5000K	6 = 60 cm					
	TU = 2700-5000K tunable 90 CRI available, on request.	12 = 120 cm					Optional EM Battery/Driver Kit available (sold separately).

www.jlc-tech.com/patents

*For PoE, consult factory

Profile Dimensions
(Compatible with Tegular and Lay-in tiles)



Length Dimensions

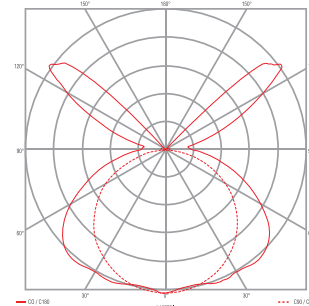


Size	Grid Type	X	Y
2 = 2ft	24 = 15/16"	24"	23"
4 = 4ft	24 = 15/16"	48"	47"
5 = 5ft	24 = 15/16"	60"	59"
2 = 2ft	15/15B = 9/16"	24"	23.4"
4 = 4ft	15/15B = 9/16"	48"	47.4"
5 = 5ft	15/15B = 9/16"	60"	59.4"

CRI = >82

L₈₀ > 60K hrs

LIGHT OUTPUT:
584lm per foot
77lm/W



NOTES:

T-BAR UP modules can be parallel connected up to 12 linear feet max per power supply. Remote power supply includes JB compartment for AC input direct wiring with metal conduit. Max distance from power supply to fixtures is 30 feet with 18 AWG wire. Longer distance achievable if using higher gauge wire. Chicago Plenum optional rating available.

APPLICATIONS:

Executive, Medical, Health, Educational, Retail, Hotels, Airport, Hospitality and any open space areas that require a unique and elegant architectural lighting design.

MOUNTING:

Universal mounting brackets are for easy installation to standard 15/16" or 9/16" T-Bars of most manufacturers' ceiling suspension systems. Armstrong compatible mounting clips for installation with Armstrong Ceiling 15/16" Prelude® and Clean Room™, 9/16" Suprafine®, Silhouette®, Sonata® and Interlude® suspension systems. Compatible with Tegular and Lay-in tiles.

MATERIALS:

Anodized and painted aluminum extruded body, steel mounting clips, powder coated aluminum end caps, high transmitting acrylic PMMA lens.

ELECTRIC:

High output LEDs consume 16W total (2 foot) or 32W total (4 foot) or 40W total (5 foot). Power supply consumption not included. Input voltage 24VDC. Class 2 plenum rated cables at each end equipped with quick connectors to allow multiple modules to be easily connected together (max 12 linear feet of product). Use solid copper wire or wire ferrules to fit into quick connectors. For EM Battery/Driver Kit order separately. PoE options available, consult factory.

WARRANTY:

5 years

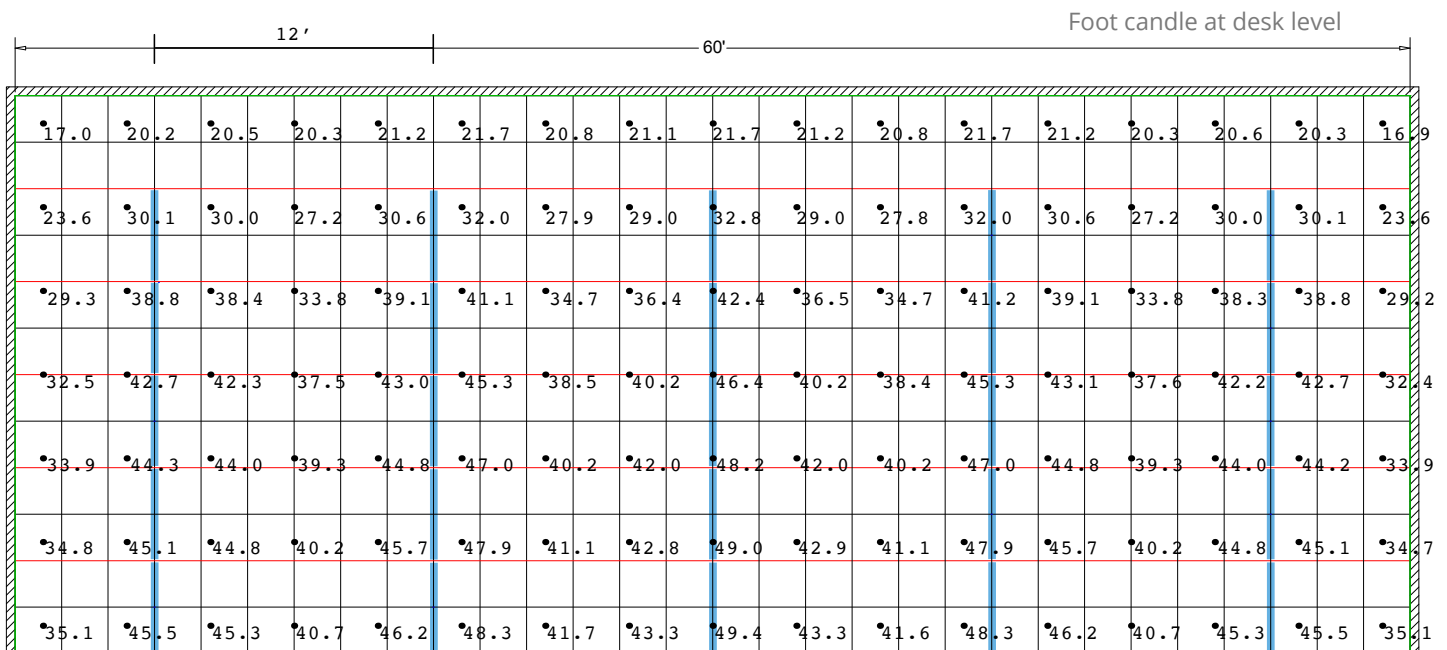
LISTINGS:

ETL/cETLus CE RoHS. Indoor use only.



Private Office – Boston, MA

Lighting Layout Examples



Room dimensions: 60' x 60'

Ceiling height: 9'

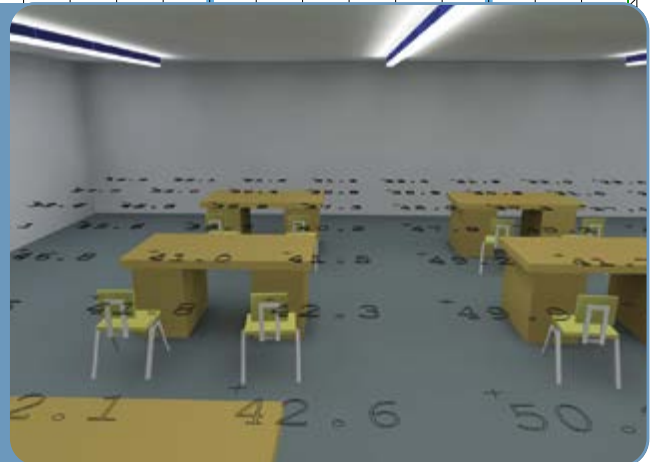
Quantity of product:

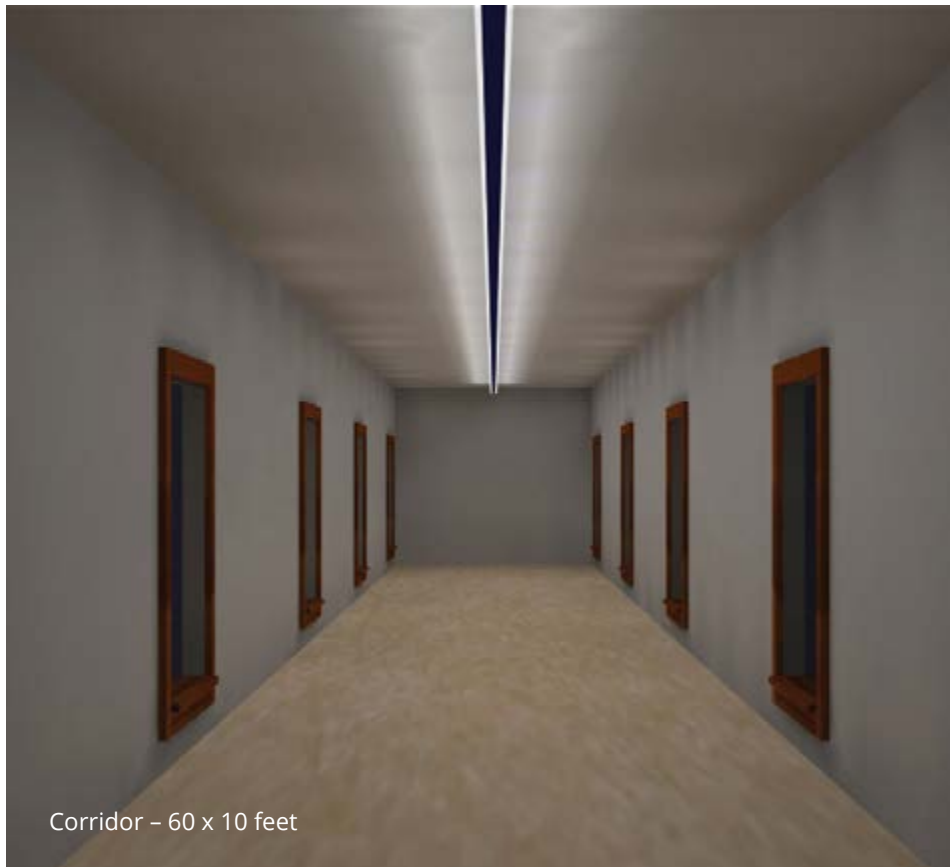
65 pcs – TBUP-MN-4-24-IN-U-W

T-BAR UP 4' Indirect Lens 15/16" (4000K)

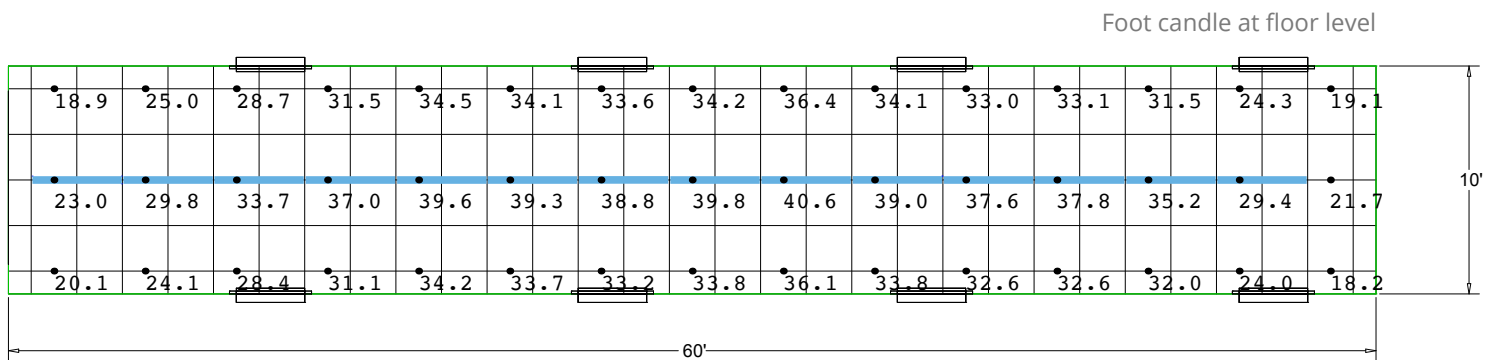
Average foot candle achieved at desk:

38.41 Fc





Corridor – 60 x 10 feet



Room dimensions: **60' x 10'**

Ceiling height: **9'**

Quantity of product:

14 pcs - TBUP-MN-4-24-IN-U-W

T-BAR UP 4' Indirect Lens 15/16" (4000K)

Average foot candle achieved at floor:

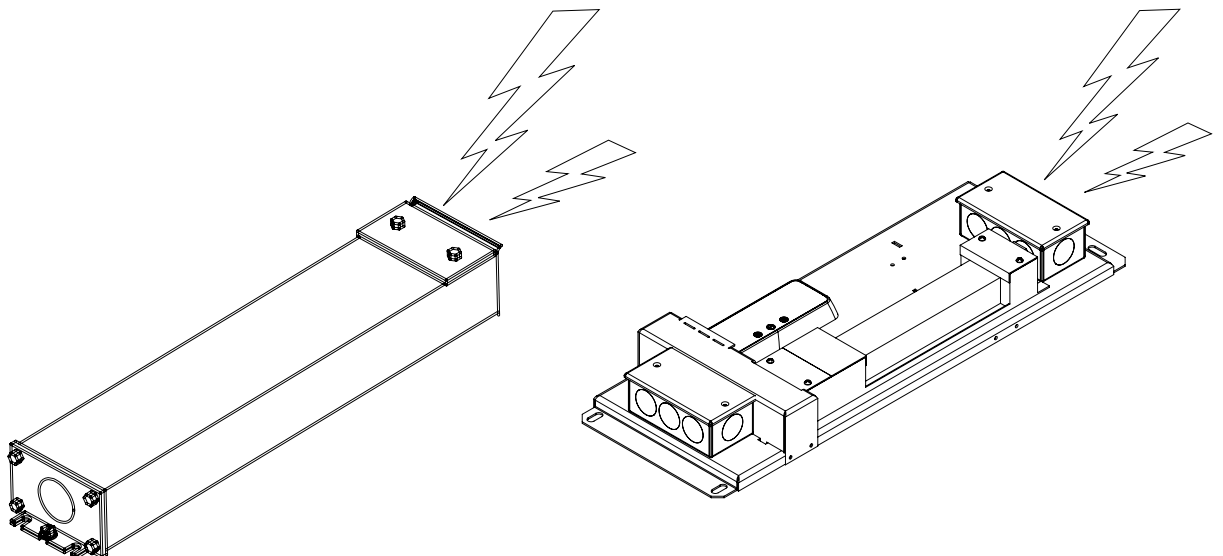
32.5 Fc



Remote LED Driver and DMX Driver Kit for

T3AR LED®

T3AR UP®

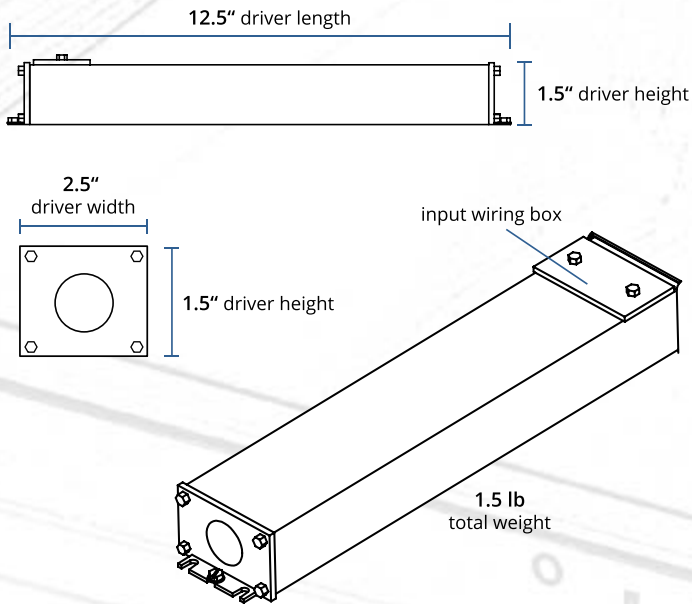


Remote LED Driver Options

The T-BAR LED and T-BAR UP run as a Class 2 installation on 24V DC power with only one remote nominal 100W driver required to illuminate up to 12 linear feet of product. Multiple fixtures are easily daisy chained together with factory ready quick-connectors at each end of the product. This simplified power system uses fewer and less expensive electrical materials for installation, resulting in a lower cost, as well as reduced energy loss.

Lutron dimmable driver options available.

24VDC LED Driver 96W Power Supply dimmable and non dimmable



96W max single output Class 2 power supply, universal input voltage 100-277Vac output 24VDC. This power supply includes a JB compartment for AC input direct wiring with metal conduit. Available with 0-10Vdc nominal 1% dimming option.

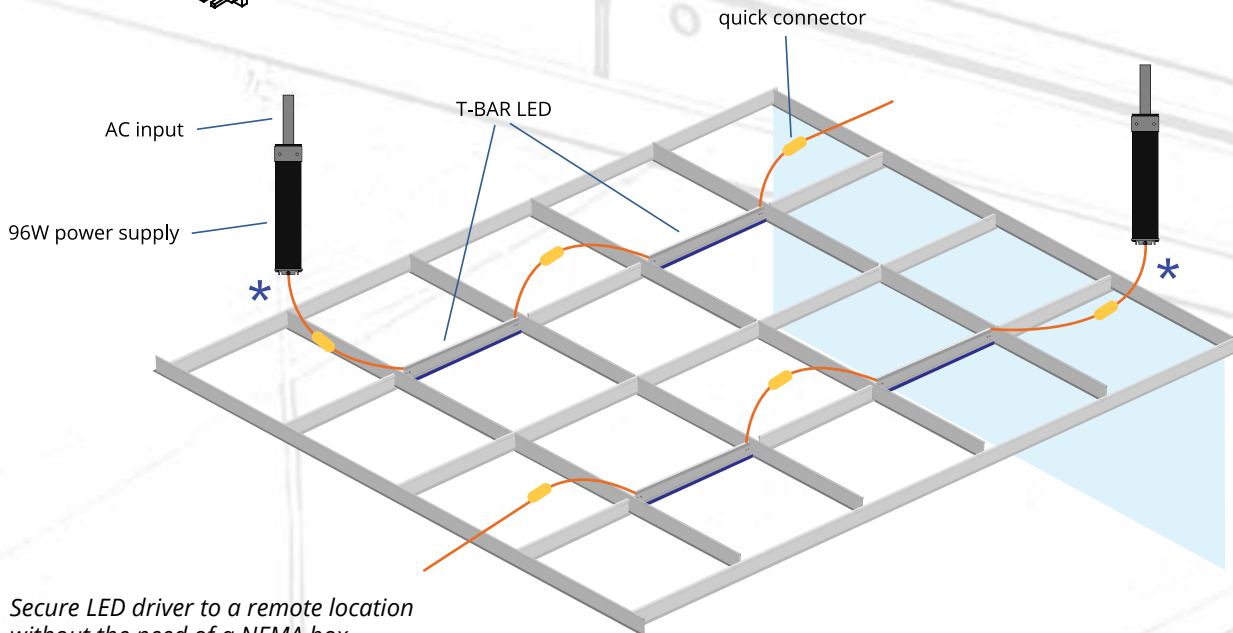
Notes:

T-BAR LED and T-BAR UP modules can be parallel connected up to 12 linear feet max per power supply.

Wiring Chart:

Gauge	Length
18 (0.75 mm ²)	30ft (9m) maximum
16 (1.5 mm ²)	45ft (14m) maximum
14 (2.0 mm ²)	70ft (21m) maximum

* Extra cables for longer distances, by others

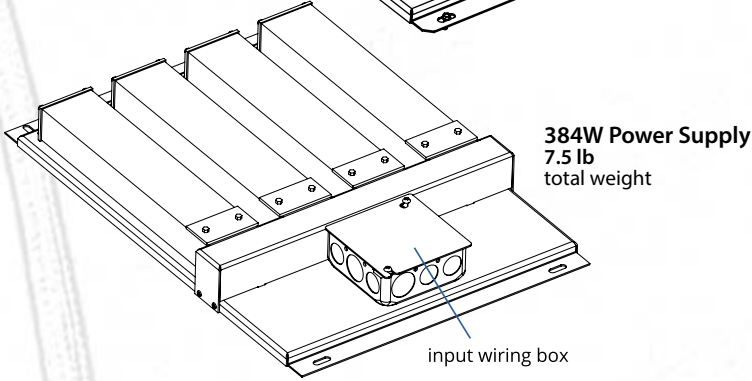
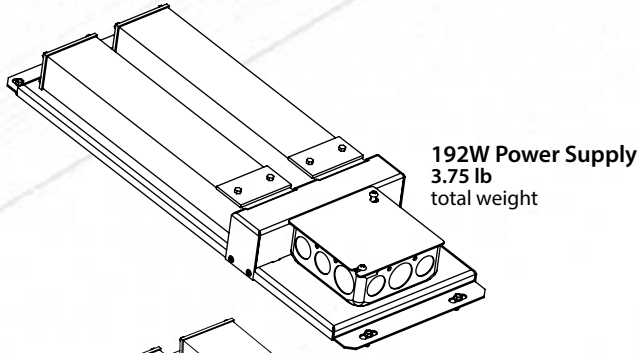


Secure LED driver to a remote location without the need of a NEMA box.

In addition to offering a single nominal 100W remote driver, JLC-Tech has gone one step further to simplify field installations by offering a 2-pack and 4-pack, factory pre-assembled driver solution. These nominal 200W and 400W remote driver packages can power up to 24 feet or 48 feet respectively of T-BAR LED and T-BAR UP. JLC-Tech is truly revolutionizing the way designers integrate light with suspended grid ceilings!

24VDC LED Driver 192W or 384W Power Supplies

dimnable and non dimmable



The 192W and 384W units are a pre-assembled power kit using two or four of our standard Class 2 power supplies, creating a unit capable of powering 24 feet or 48 feet of product. The electrical characteristics of each Class 2 channel are the same as our individual 100W power supply. Available with 0-10Vdc nominal 1% dimming option.

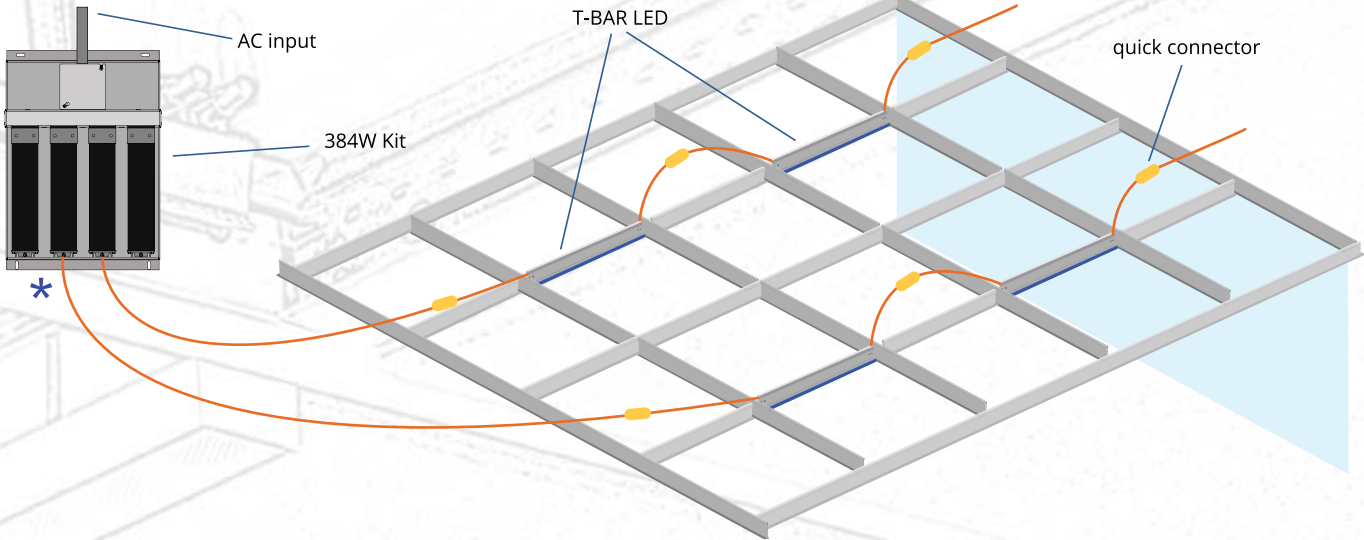
Notes:

T-BAR LED and T-BAR UP modules can be parallel connected up to 12 linear feet max per channel totaling 24 (200W kit) or 48 (400W kit) linear feet of illuminated product.

Wiring Chart:

Gauge	Length
18 (0.75 mm ²)	30ft (9m) maximum
16 (1.5 mm ²)	45ft (14m) maximum
14 (2.0 mm ²)	70ft (21m) maximum

* Extra cables for longer distances, by others



Product Name	Driver Type	Power	Wattage	Voltage
TBSL = T-BAR LED Power Supply	PS = Non Dimmable DIM = 1% Dimmable 0-10 VDC	HP = High Power	100W = 96W 200W = 192W 400W = 384W	UNV = Universal 100-277V

WARRANTY: 5 years

Optional EM Battery Kit available (sold separately).

*For Chicago Plenum installations T-BAR LED remote driver must be installed in a non-Chicago Plenum rated area or in a Chicago Plenum rated enclosure (by others).

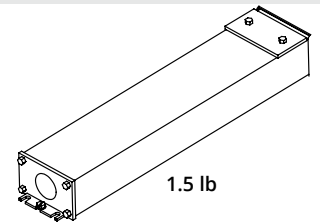
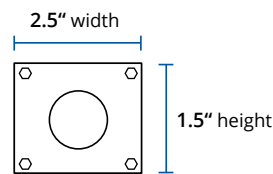
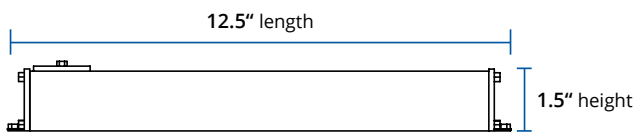


24VDC LED Driver 96W Power Supply

0-10 VDC dimmable and non dimmable

T-BAR LED and T-BAR UP modules can be parallel connected up to 12 linear feet max per power supply. Power supply includes JB compartment for AC input direct wiring with metal conduit.

96W Power Supply dimensions

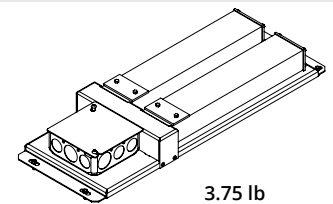
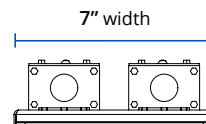
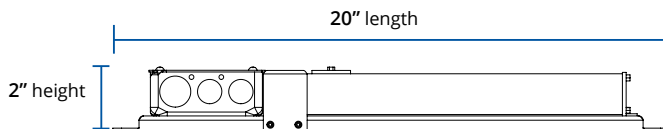


24VDC LED Driver 192W Power Supply

0-10 VDC dimmable and non dimmable

T-BAR LED and T-BAR UP modules can be parallel connected up to 12 linear feet max per channel totaling 24 linear feet of illuminated product. Power supply includes JB compartment for AC input direct wiring with metal conduit and separate branch connections for control of each individual driver.

192W Power Supply dimensions

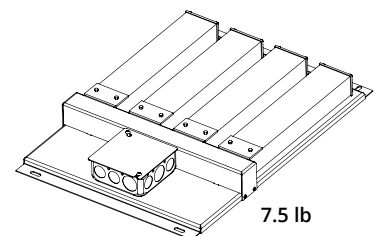
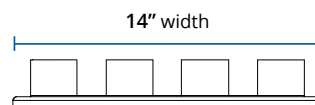
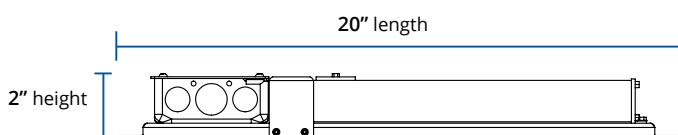


24VDC LED Driver 384W Power Supply

0-10 VDC dimmable and non dimmable

T-BAR LED and T-BAR UP modules can be parallel connected up to 12 linear feet max per channel totaling 48 linear feet of illuminated product. Power kit includes JB for AC input direct wiring with metal conduit.

384W Power Supply dimensions



Lutron Item Number	Description
TBSL-L3DA4U1UKL-CV240	40W HI-LUME® 1.0% EcoSystem™ or 3-wire / 24Vdc Driver / Universal 100-277V
TBSL-L3D0-96W24V-U	96W HI-LUME® 0.1% EcoSystem™ or 3-wire / 24Vdc Driver / Universal 100-277V

WARRANTY: 5 years

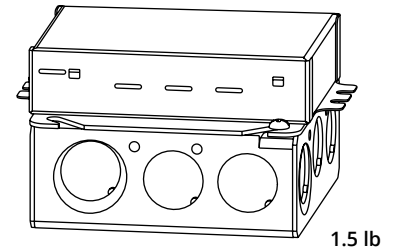
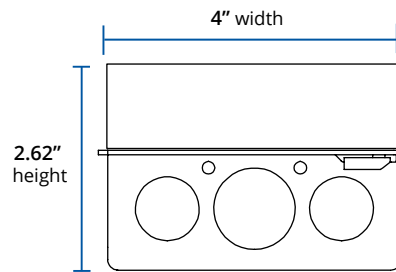
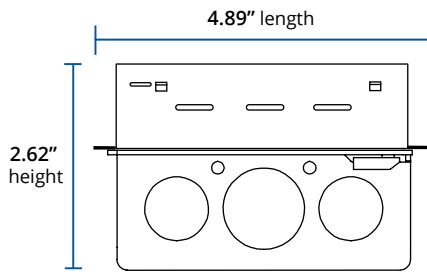


40W HI-LUME® Power Supply

1.0% Ecosystem™ or 3-wire

T-BAR LED and T-BAR UP modules can be parallel connected up to 4 linear feet per 40W Hi-Lume driver. Lutron's 40W HI-LUME® driver provides smooth, flicker free dimming from 100% to 1.0%. UL-Listed for remote use.

40W HI-LUME dimensions

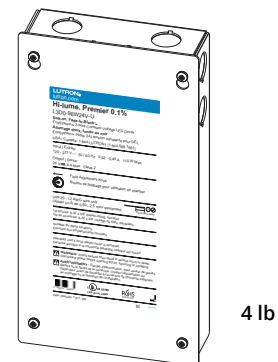
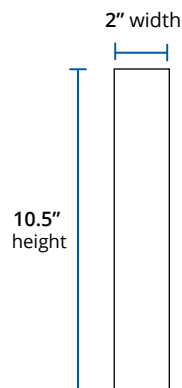
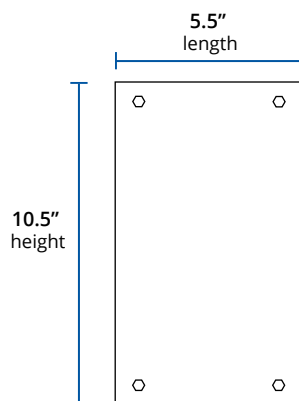


96W HI-LUME® Premier Power Supply

0.1% Ecosystem™ or 3-wire

T-BAR LED and T-BAR UP modules can be parallel connected up to 12 linear feet max per 96W Hi-Lume driver. Lutron's 96W HI-LUME® driver provides smooth, flicker free dimming from 100% to 0.1%. UL-Listed for remote use.

96W HI-LUME Premier dimensions



Product Name	Driver Type	Wattage	Voltage
TBTUNE = T-BAR Tunable White Power Supply + DMX Kit	DMX = DMX Driver	100W = 96W	UNV = Universal 100-277V

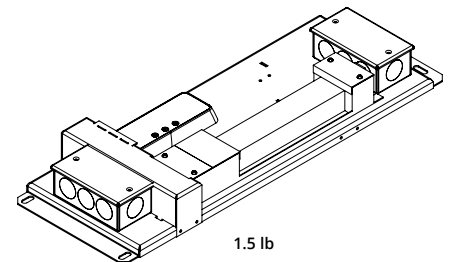
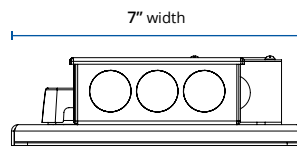
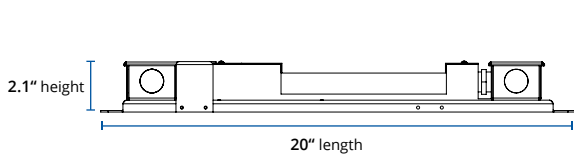
WARRANTY: 5 years



24VDC 96W DMX Driver with Universal Input Power Supply

T-BAR LED modules can be parallel connected up to 12 linear feet max per DMX Driver Kit. Power supply includes JB compartment for AC input direct wiring with metal conduit.

DMX Driver Kit dimensions



Noblis Headquarters – Reston, VA
SmithGroup



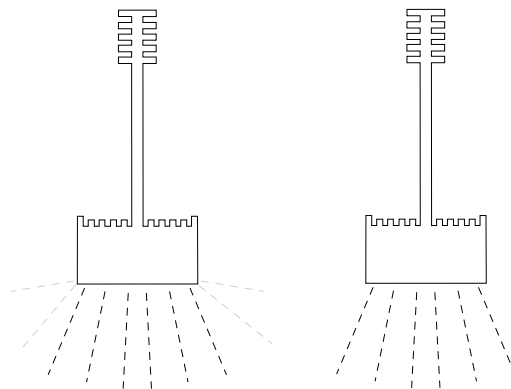


Growing Smiles Pediatric Dentistry – Lawrence, KS
Architect One / Latimer Sommers & Associates



T-BAR TWO®

The T-BAR TWO takes task-oriented lighting to a new level. In addition to becoming a part of the ceiling assembly, the T-BAR TWO offers a combination of dual optics controlled by a dual circuit allowing for flexibility in multi-purpose spaces. A room's ambiance is easily managed with this new ability to toggle between direct lighting and a concentrated angle of light.





T-BAR TWO

15/16" and 9/16"

PRODUCT CONCEPT

The T-BAR TWO offers a combination of dual optics controlled by a dual circuit for flexibility in multi-purpose spaces, while also providing a visually comfortable environment. The diffusing portion provides direct lighting using a micro-prismatic lens for a controlled distribution with even illumination. The cut-off reflector uses individual optics for a concentrated angle of light on the desired task area without unwanted glare on certain objects such as TV monitors.

DESCRIPTION

Anodized and painted aluminum extruded body, steel mounting clips, white PC end caps, high transmitting acrylic PMMA lens (diffusing lens) and high reflectance 98% aluminum coated or white or black PC reflectors for a dark light effect (cut-off reflector).



Product Name	LED/K Color	Grid Size	Grid Type	Optic	Mounting Clips	Color
TBTW = T-BAR TWO	HW = 3000K MW = 3500K MN = 4000K HN = 4500K	2 = 2 ft 4 = 4 ft 4L* Metric 6 = 60 cm 12 = 120 cm 12L*	24 = 15/16" 15 = 9/16" 15B = 9/16" Bolt Slot 24C = 15/16" Partially Concealed Grid	CD = Cut-Off Reflector & Diffusing Lens CDWH = White Cut-Off Reflector & Diffusing Lens CDBL = Black Cut-Off Reflector & Diffusing Lens	U = Universal A = Armstrong C = Custom	W = White B = Black C = Custom

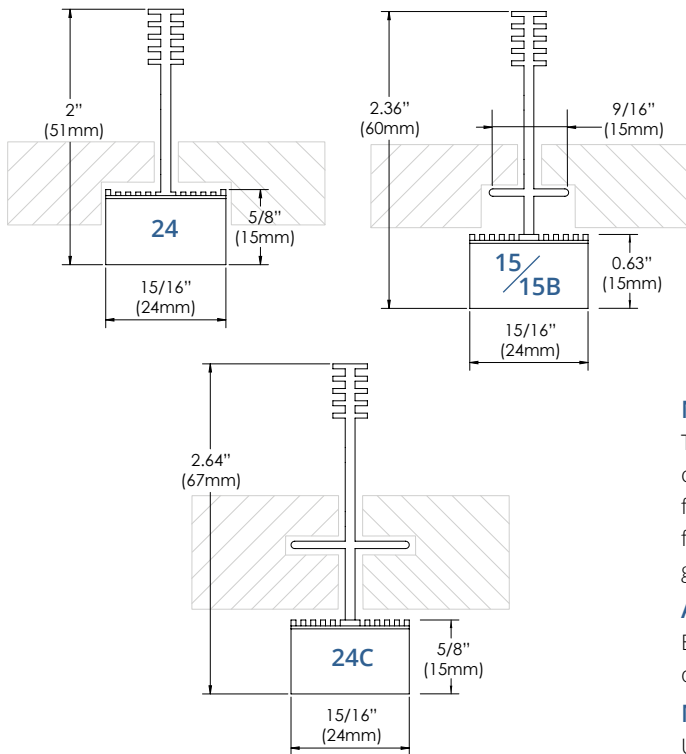
www.jlc-tech.com/patents

*Only available in 15/16"

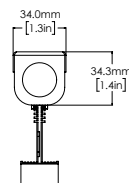
Optional EM Battery/Driver Kit available (sold separately).

Profile Dimensions

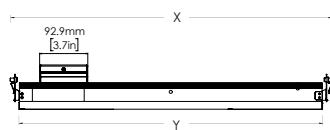
(Compatible with Tegular and Lay-in tiles)



JB Installed on top (provided)



Length Dimensions



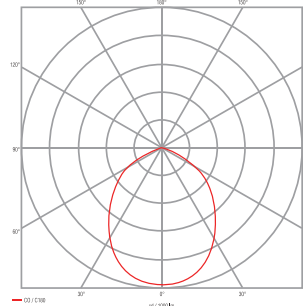
Size	Grid Type	X	Y
2 = 2ft	24 = 15/16"	24"	23"
4 = 4ft	24 = 15/16"	48"	47"
4L	24 = 15/16"	48"	24"
2 = 2ft	15/15B = 9/16"	24"	23.4"
4 = 4ft	15/15B = 9/16"	48"	47.4"
4L	15/15B = 9/16"	48"	24"

CRI = >82 L₈₀ > 60K hrs

LIGHT OUTPUT:

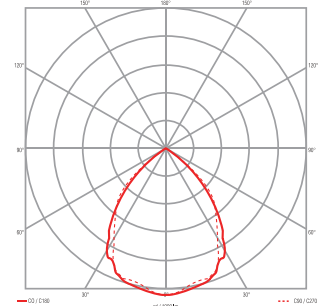
2ft Model

Diffusing = 769lm
Cut-Off Reflector = 321lm
Total = 1071lm



4ft Model

Diffusing = 1539lm
Cut-Off Reflector = 643lm
Total = 2143lm



NOTES: 15/16" Diffusing Lens 4000K

15/16" Cut-Off Reflector 4000K

T-BAR TWO modules can be parallel connected up to 16 linear feet of each circuit max per power supply. Remote power supply includes JB compartment for AC input direct wiring with metal conduit. Max distance from power supply to fixtures is 30 feet with 18 AWG wire. Longer distance achievable if using higher gauge wire.

APPLICATIONS:

Executive, Medical, Health, Educational, Retail, Hotels, Airport, Hospitality and any open space areas that require a unique and elegant architectural lighting design.

MOUNTING:

Universal mounting brackets are for easy installation to standard 15/16" or 9/16" T-Bars of most manufacturers' ceiling suspension systems. Armstrong compatible mounting clips for installation with Armstrong Ceiling 15/16" Prelude® and Clean Room™, 9/16" Suprafine®, Silhouette®, Sonata® and Interlude® suspension systems. Compatible with Tegular and Lay-in tiles.

MATERIALS:

Anodized and painted aluminum extruded body, steel mounting clips, white PC end caps, high transmitting acrylic PMMA lens (diffusing lens) and high reflectance 98% aluminum coated or white or black PC reflectors for a dark light effect (cut-off reflector).

ELECTRIC:

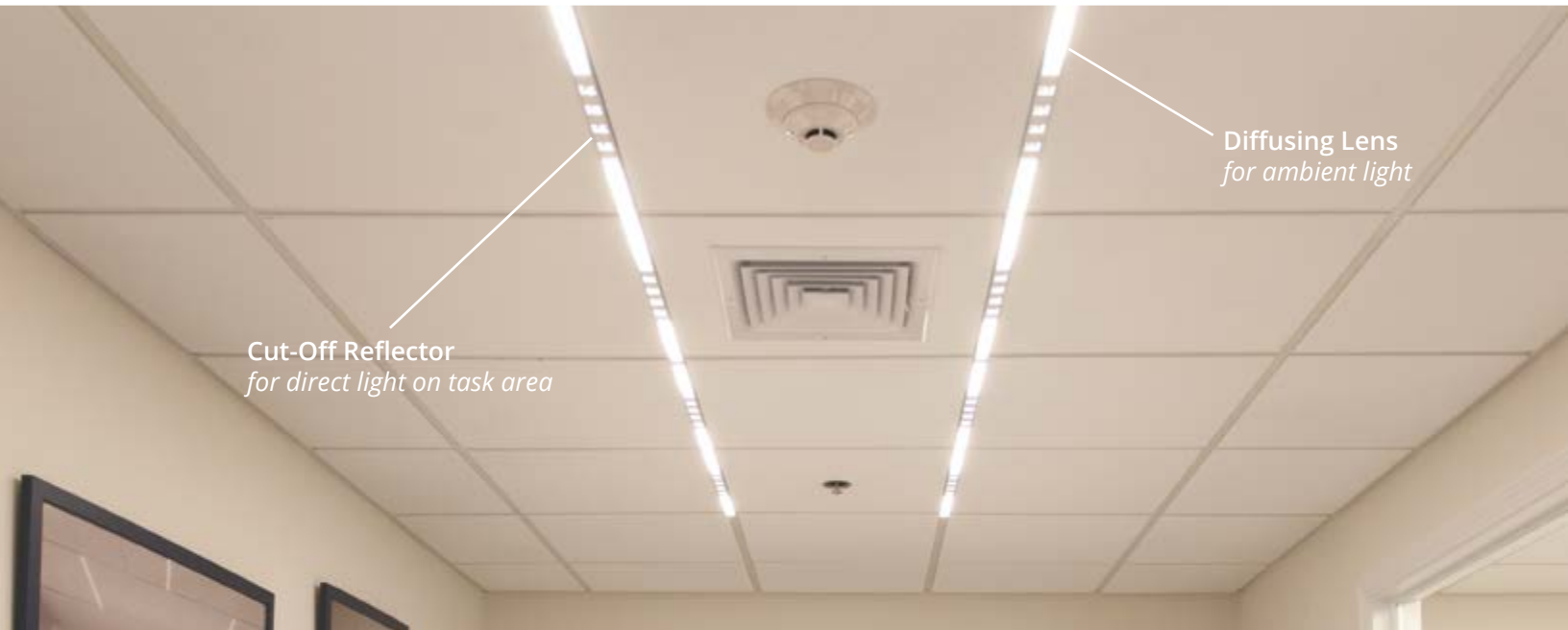
Two circuit fixture consumes 10.8W on Circuit A Diffusion Lens (2ft fixture) and 5.75W on Circuit B Cut-Off Reflector (2ft fixture) or 21.6W on Circuit A (4ft fixture) and 11.3W on Circuit B (4ft fixture). Power supply consumption not included. Input voltage 24VDC. Junction box mounted on fixture with 4 cables of 20AWG inside for Circuit A and Circuit B connection to power supply. For EM Battery/Driver Kit order separately.

WARRANTY:

5 years

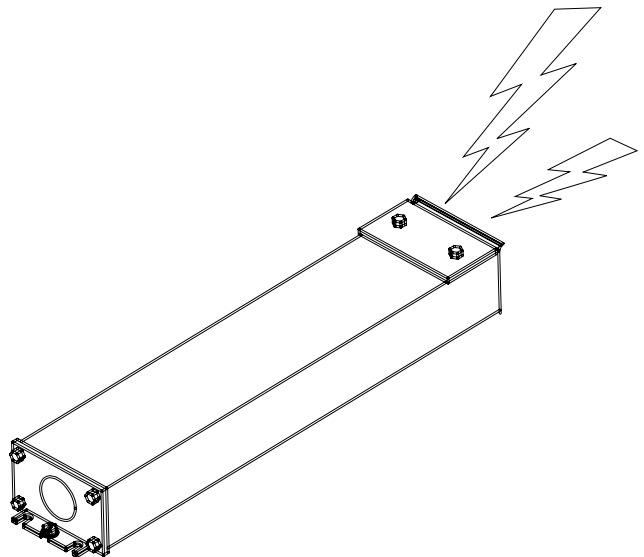
LISTINGS:

ETL/cETLus CE RoHS. Indoor use only. IC Rated. IP 20.



Remote LED Driver Options for

T3AR TWO®





Staten Island Family Justice Center – Staten Island, NY
Renfro Design Group / Spacesmith

Product Name	Driver Type	Power	Wattage	Voltage
TBSL = T-BAR TWO Power Supply	PS = Non Dimmable DIM = 1% Dimmable 0-10 VDC	HP = High Power	200W = 192W	UNV = Universal 100-277V

WARRANTY: 5 years Optional EM Battery Kit available (sold separately).



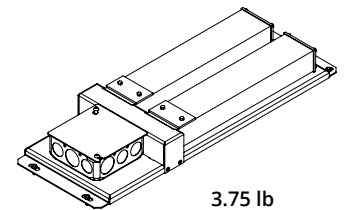
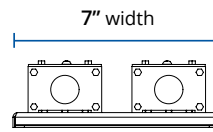
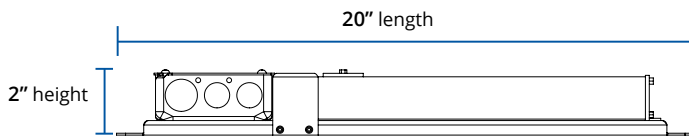
T-BAR TWO® Power Supply Option

24VDC LED Driver 192W Power Supply Kit 0-10 VDC dimmable and non dimmable

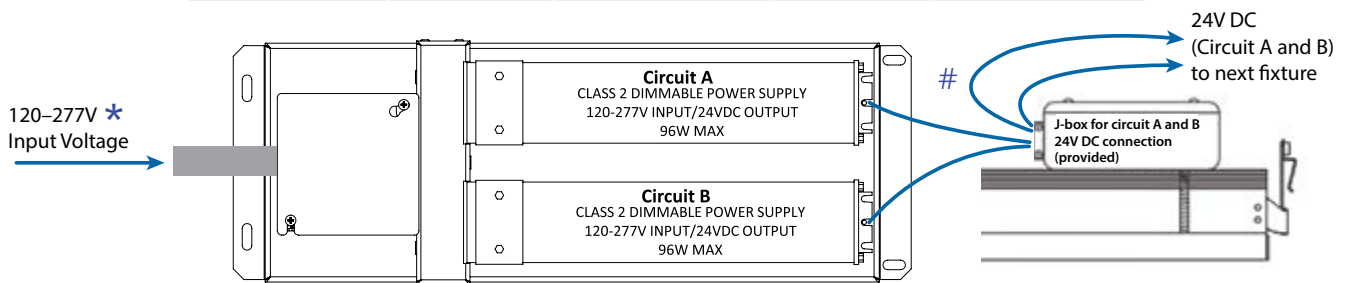
T-BAR TWO modules can be parallel connected up to either (8) 2ft fixtures or (4) 4ft fixtures max of each circuit per driver channel totaling 16 linear feet of illuminated product. Available with 0-10Vdc nominal 1% dimming.

- * Power kit includes JB for AC input direct wiring with metal conduit and separate branch connections for control of each individual driver.

24VDC LED Driver 192W Power Supply



	Max Run Lengths			
	Circuit A Wattage	# Fixture/Driver A	Circuit B Wattage	# Fixture/Driver B
2ft fixture	10.8W	8	5.75W	8
4ft fixture	21.6W	4	11.3W	4



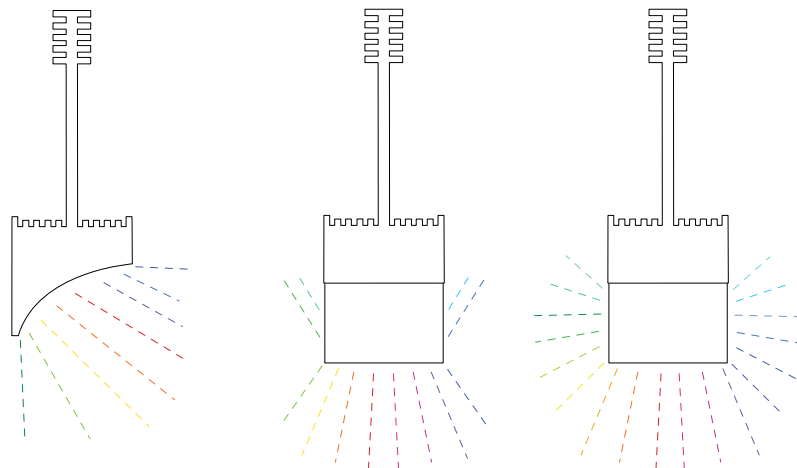
Wiring Chart:

Gauge	Length
18 (0.75 mm ²)	30ft (9m) maximum
16 (1.5 mm ²)	45ft (14m) maximum
14 (2.0 mm ²)	70ft (21m) maximum

Extra cables for longer distances, by others

T-BAR RGBW™

Add dramatic lighting effects to a space and create a bold statement with JLC-Tech's T-BAR RGBW product line. Capable of both white color tuning as well as full-color control, the T-BAR RGBW brings the latest in LED color mixing technology to JLC-Tech's patented design.





T-BAR RGBW

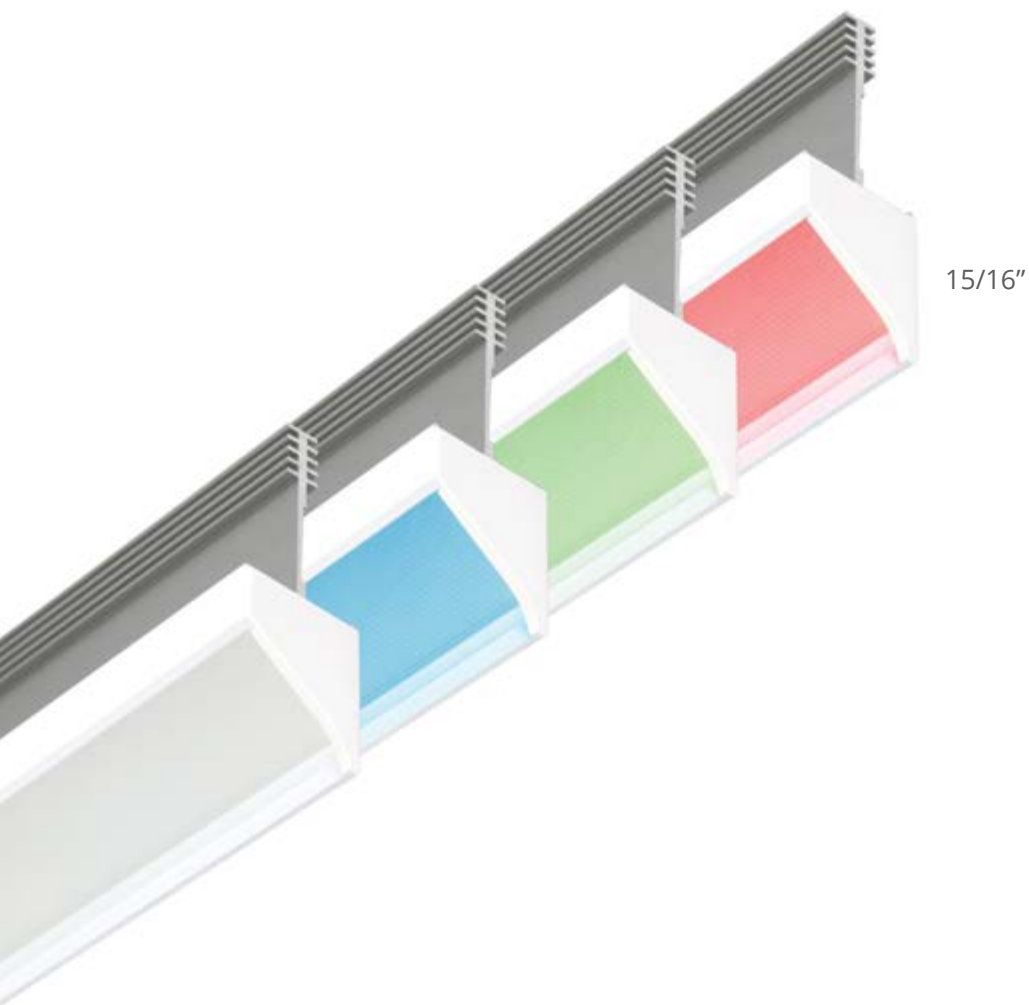
15/16" and 9/16"

PRODUCT CONCEPT

The combination of separate RGB and white emitters allow for precise control across the color spectrum providing tunable white light, or bold splashes of color available in the Asymmetric, Clear Block and Frosted Block. Ideal for wall washing or ambient lighting, T-BAR RGBW is the perfect solution to transform a space into a dynamic environment.

DESCRIPTION

Anodized and painted aluminum extruded body, steel mounting clips, white PC end caps, high transmitting acrylic PMMA lens (asymmetric, block diffusing lens).



Product Name	LED/K Color	Grid Size	Grid Type	Optic	Mounting Clips	Color	Options
TBRGB = T-BAR RGBW	MW = 3500K + RGB	2 = 2 ft 4 = 4 ft 4L Metric 6 = 60 cm 12 = 120 cm 12L	24 = 15/16" 15H = 9/16" High Efficiency* 15HB = 9/16" High Efficiency Bolt Slot*	B = Block Clear Diffusing Lens B2 = Block Frosted Diffusing Lens A2 = Asymmetric S = Acrylic Signage Custom block heights 1/2"– 4" available, consult factory.	U = Universal A = Armstrong W = Specialty Wood C = Custom	W = White B = Black C = Custom	IP65 = IP65

www.jlc-tech.com/patents

*15H/15HB model is not available with A2 optic and cannot be used for geometric shapes

Block Clear Diffusing Lens (B)



Block Frosted Diffusing Lens (B2)



Asymmetric (A2)



Acrylic Signage (S)



NOTES:

T-BAR RGBW modules can be parallel connected up to 8 linear feet max per power supply. Remote DMX driver kit includes JB compartment for AC input direct wiring with metal conduit, and 2" JB for DMX and low voltage connections to fixture. Max distance from DMX driver kit to fixtures is 30 feet with 18 AWG wire. Longer distance achievable if using higher gauge wire. Product must be installed in accordance with local electrical codes. IP65 optional rating available.

APPLICATIONS:

Executive, Medical, Health, Educational, Retail, Hotels, Airport, Hospitality and any open space areas that require a unique and decorative architectural lighting design effect.

MOUNTING:

Universal mounting brackets are for easy installation to standard 15/16" or 9/16" T-Bars of most manufacturers' ceiling suspension systems. Armstrong compatible mounting clips for installation with Armstrong Ceiling 15/16" Prelude® and Clean Room™, 9/16" Suprafine®, Silhouette®, Sonata® and Interlude® suspension systems. Compatible with Tegular and Lay-in tiles. Compatible with Tegular, Lay-in, and Partially Concealed tiles. Mounting Clips "W" for grille and plank specialty wood ceilings, consult factory for ceiling specific shop drawings details.

MATERIALS:

Anodized and painted aluminum extruded body, steel mounting clips, white PC end caps, high transmitting acrylic PMMA lens (asymmetric, block diffusing lens).

ELECTRIC:

High output LEDs consume up to 11W/ft, power supply consumption not included. Input voltage 24VDC. Junction box installed on fixture with 5 wires inside for connection to control system or another fixture, (max 8 linear feet of product).

CONTROLS:

Standard control option is DMX using the available DMX Driver Kit (TBRGB-DMX-100W-UNV), sold separately, refer to website for more info. Optional wall mount DMX color controller available, sold separately.

WARRANTY:

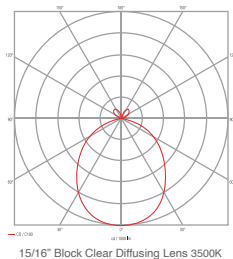
5 years

LISTINGS:

ETL/cETLus CE RoHS. Indoor use only. IC Rated. IP 40.

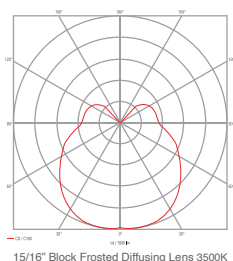
Photometrics CRI = >82

L₈₀ > 60K hrs



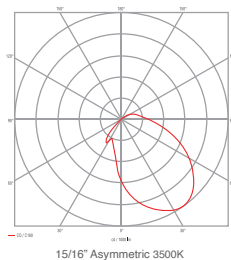
B = Block Clear Diffusing Lens - Grid Type 24 and 15H/15HB

Color	Output (lm/ft)	Power (watts/ft)	Efficacy (lm/W)
White	564	5.9	96
Red	56	2	28
Green	107	1.6	67
Blue	118	1.5	79



B2 = Block Frosted Diffusing Lens - Grid Type 24 and 15H/15HB

Color	Output (lm/ft)	Power (watts/ft)	Efficacy (lm/W)
White	586	5.9	99
Red	58	2	28
Green	111	1.6	69
Blue	123	1.5	82



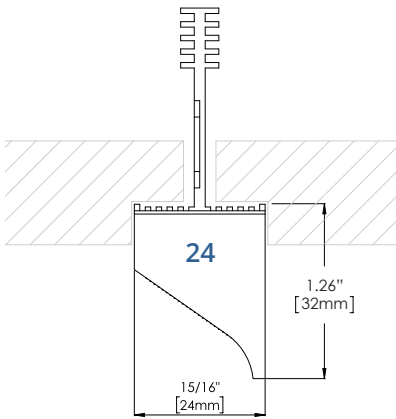
A2 = Asymmetric Lens - Grid Type 24

Color	Output (lm/ft)	Power (watts/ft)	Efficacy (lm/W)
White	582	5.9	99
Red	57	2	29
Green	110	1.6	69
Blue	122	1.5	81

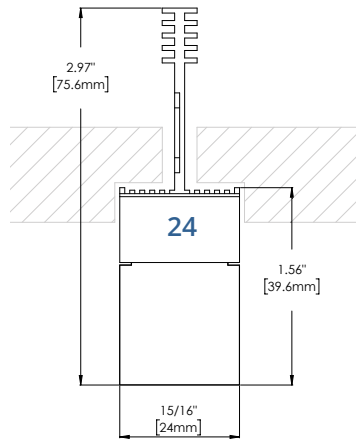
*Complete photometric info and IES files are available for download at www.jlc-tech.com

Profile Dimensions (Compatible with Tegular, Lay-in and Partially Concealed tiles)

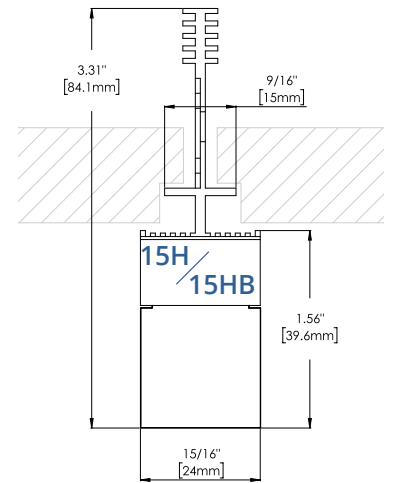
Clear block and frosted block variable heights 1/2" - 4" available, consult factory.



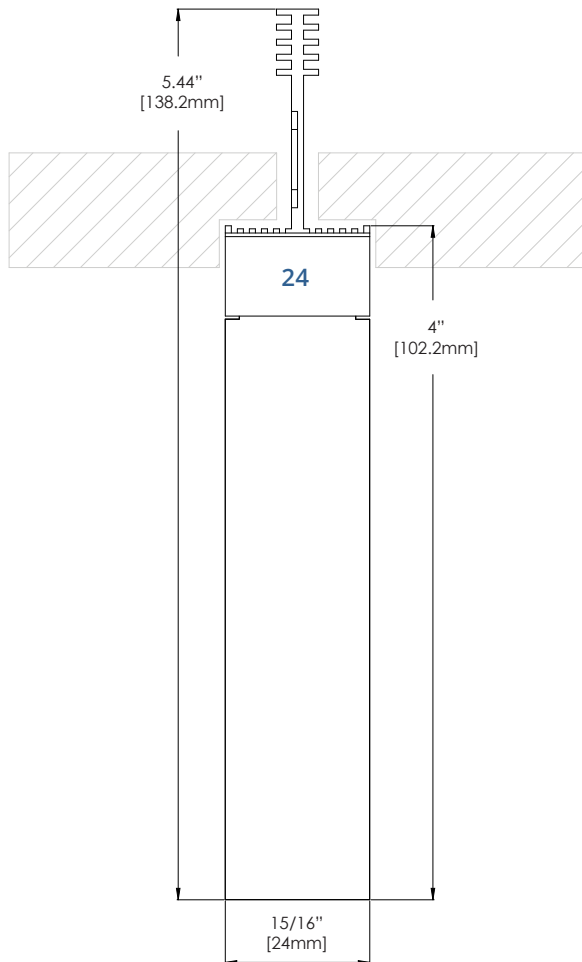
15/16" Asymmetric Lens
TBRGB-XX-X-24-A2-X-X



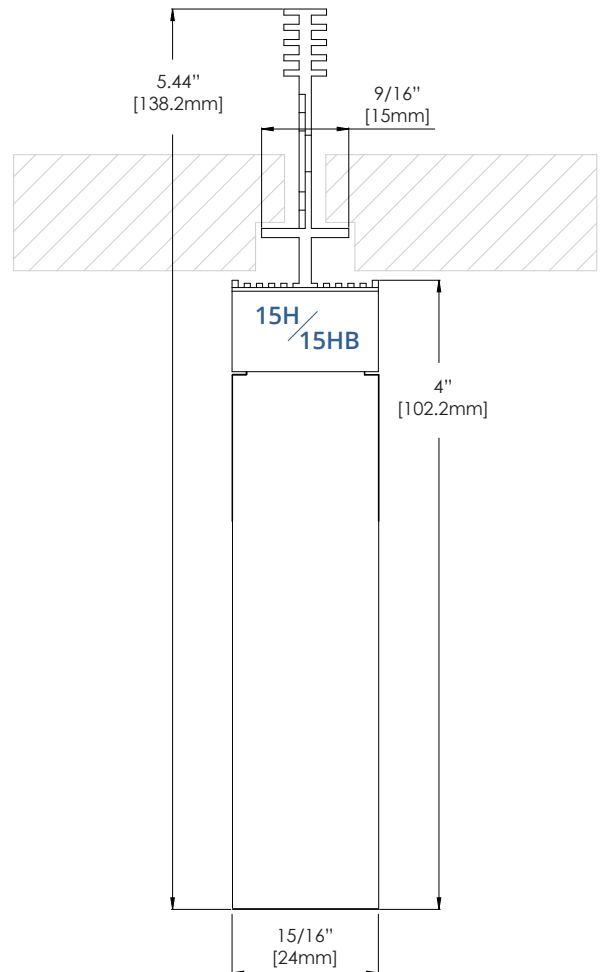
15/16" Block Lens
TBRGB-XX-X-24-B/B2-X-X



9/16" High Efficiency Block Lens
TBRGB-XX-X-15H/15HB-B/B2-X-X

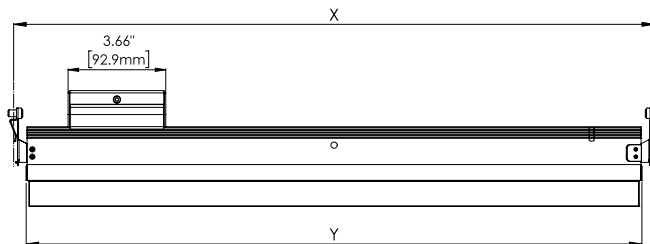
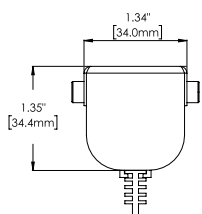


15/16" Signage
TBRGB-XX-X-24-S-X-X



9/16" High Efficiency Signage
TBRGB-XX-X-15/15HB-S-X-X

Length Dimensions



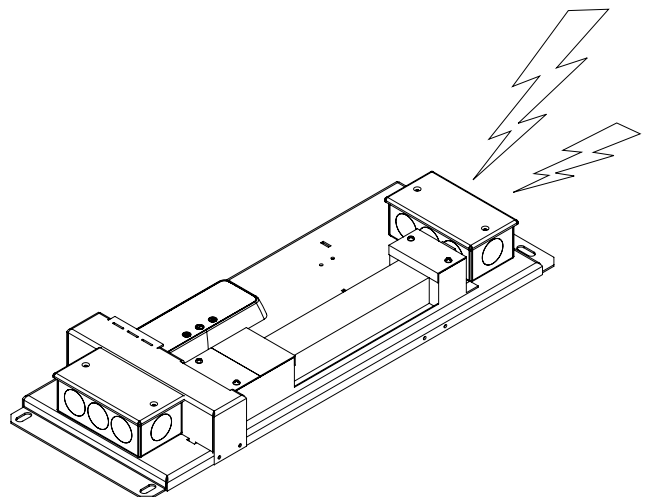
Size	Grid Type	X	Y
2 = 2ft	24 = 15/16"	24"	23"
4 = 4ft	24 = 15/16"	48"	47"
4L	24 = 15/16"	48"	24"

Size	Grid Type	X	Y
2 = 2ft	15H/15HB = 9/16"	24"	23.4"
4 = 4ft	15H/15HB = 9/16"	48"	47.4"
4L	15H/15HB = 9/16"	48"	24"



DMX Driver Kit for

T3AR RGBW™



Product Name	Driver Type	Wattage	Voltage
TBRGBW = T-BAR RGBW Power Supply + DMX Kit	DMX = DMX Driver	100W = 96W	UNV = Universal 100-277V

Optional Accessory

TBRGBW-DMX-TOUCH = DMX wall mount touchscreen controller

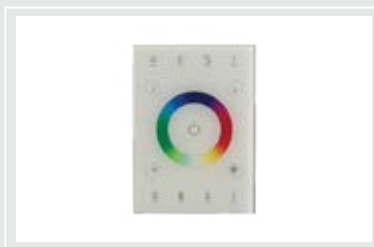
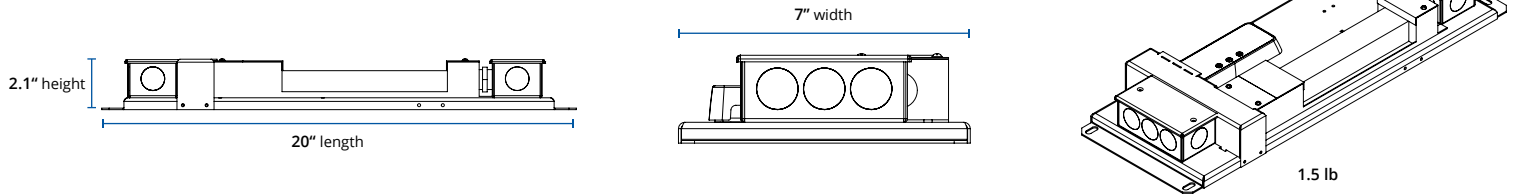
WARRANTY: 5 years



24VDC 96W DMX Driver with Universal Input Power Supply

T-BAR RGBW modules can be parallel connected up to 8 linear feet max per DMX Driver Kit. Power supply includes JB compartment for AC input direct wiring with metal conduit. Additional JB compartment for low voltage wiring to fixture and DMX wiring connections.

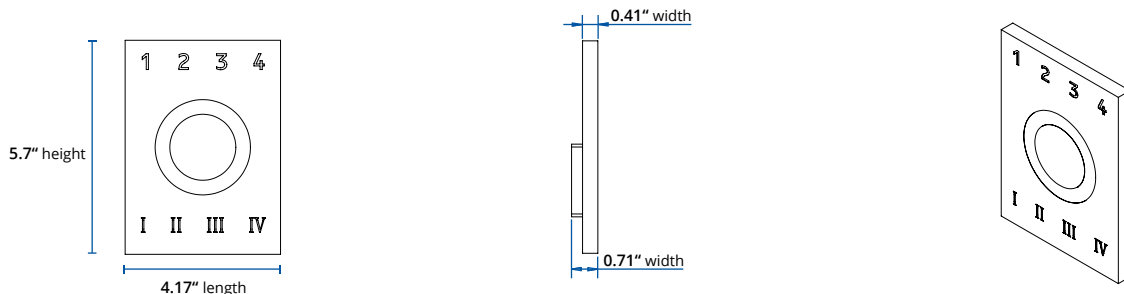
DMX Driver Kit dimensions



DMX Wall Mount Touchscreen Controller

Wall Mount Touchscreen controller allows for basic DMX control of RGBW lights including manual color control and several built in scenes.

DMX Wall Mount Touchscreen Device dimensions





UNITED
Groups
3-4-5
←

C6

50,000 Bonus Miles.
Member Miles. Offer valid through 12/31/15.
See website for details.

George Bush Intercontinental Airport,
United Terminal C North Concourse – Houston, TX
HLB Lighting Design / Pierce Goodwin Alexander & Linville



JLC • tech

Where no light has gone before.

JLC-Tech was founded with one singular vision: to create unique and useful LED lighting fixtures.

Improve room acoustics, achieve even illumination, reduce installation costs and minimize construction waste by using JLC-Tech's products, the only lighting fixtures that replace the cross tee in the suspended ceiling system.

"The IES Progress Committee has recognized the T-BAR LED as a unique and significant advancement to the art and science of lighting."



JLC-Tech LLC
130 Corporate Park Drive, Pembroke, MA 02359

T +1-781-826-8162 F +1-781-826-8163
info@jlc-tech.com
www.jlc-tech.com

©2019-2024 JLC-Tech LLC, All Rights Reserved

www.jlc-tech.com/patents