

Key Features

- Standalone DMX touchscreen
- Visually appealing glass with low profile design
- Controls up to 8ft of T-BAR RGBW™ 24V DC product max
- Includes 5V power adapter
- Input Voltage (Touchscreen Device): 5V DC
- Input Current (Touchscreen Device): 0.5 – 1A
- Input Voltage (Power Adapter): 120 – 240V AC
- Output Signal: DMX512
- Operating Temperature: -30 – 50°C
- RoHS Compliant



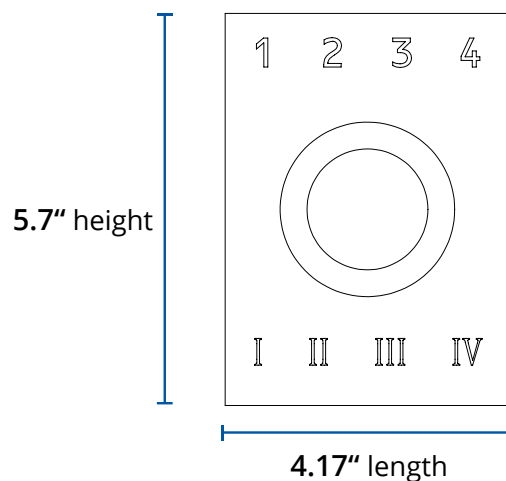
Mechanical Details

Weight: 230g

Dimensions (Touchscreen Device):
146mm x 106mm x 18mm [5.8" x 4.2" x 0.7"]

Dimensions (Power Adapter):
50mm x 28mm x 21mm [2.0" x 1.1" x 0.8"]

I/O Connections: 5V DC power input and DMX signal output



Description

DMX touchscreen device for standalone RGBW control. Choose color using manual color wheel or from built-in scenes (refer to installation instruction for more info). Designed to be used only with the DMX driver kit (TBRGBW-DMX-100W-UNV) for the T-BAR RGBW™ 24V DC product lines and a maximum run length of 8ft of product per kit (Sold separately).

