

GEMINI 2" | Order Specification Guide



Product Name	LED/K Color	Light Output	Grid Size	Grid Type	Optic	Mounting Clips	Color	Driver	Options
GEM2 = GEMINI 2" Single Lens	HW = 3000K	LO = Low	2 = 2 ft	24 = 15/16"	DW = Diffused White	U = Universal	W = White	UNV = 120-277 Vac 0-10V dimming	CP = Chicago Plenum
	MW = 3500K	MO = Medium	4 = 4 ft	15 = 9/16"	VC = Vista Comfort™	A = Armstrong	B = Black	POE = Power over Ethernet*	Optional EM Battery Kit available (sold separately).
MN = 4000K	HO = High	5 = 5 ft	15B = 9/16" Bolt Slot	W = Specialty Wood		C = Custom			
	HN = 4500K		Metric						
	CN = 5000K		6 = 60 cm						
	90 CRI available, on request.	Custom lumen outputs available, consult factory.	12 = 120 cm						

www.jlc-tech.com/patents

\*For PoE, consult factory

Single Lens Diffused White (DW)



Single Lens Vista Comfort (VC)



**NOTES:**

GEMINI 2" is designed to provide a 2" linear slot light on-center to the grid with integrated cross tees, by replacing standard cross members in a suspended ceiling; without the need to build a custom opening in the grid ceiling.

**APPLICATIONS:**

Executive, Medical, Health, Educational, Retail, Hotels, Airport, Hospitality and any open space areas that require a unique and elegant architectural lighting design.

**MOUNTING:**

Universal mounting clips for easy installation with Armstrong 15/16" or 9/16" suspension systems or standard 15/16" or 9/16" T-bars of most manufacturers ceiling suspension systems. Compatible with tegular and lay-in tiles. Mounting Clips "W" for grille and plank specialty wood ceilings, consult factory for wood ceiling specific shop drawings details.

**MATERIALS & OPTICS:**

Powder coated aluminum extruded body, steel mounting clips, and powder coated steel end caps. "DW" optic uses high efficiency frosted acrylic PMMA lens for even illumination, "VC" optic uses precision engineered PMMA prismatic lens with internal PET film layer providing diffuse glare free illumination to help design to UGR requirements.

**ELECTRIC:**

Universal input voltage of 120 – 277VAC. Junction box installed on fixture with integral driver and wire nuts inside for connection to branch circuit and 0-10V dimming system, (dimming to 1%). Fixture must be installed in accordance with local electrical codes. For EM Battery Kit order separately. PoE options available, consult factory.

**WARRANTY:**

5 years

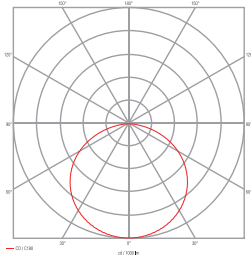
**LISTINGS:**

ETL/cETLus CE RoHS. Indoor use only. IC Rated. IP 40.



Photometrics CRI = >82

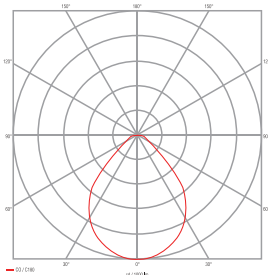
$L_{80} > 60K$  hrs



9/16" Diffused White Single Lens 4000K

Diffused White Single Lens

Code Selection	Output (lm/ft)	Power (watts/ft)	Efficacy (lm/W)
<b>LO</b> = Low	522	4.1	127
<b>MO</b> = Medium	760	6.1	124.5
<b>HO</b> = High	1005	7.9	127



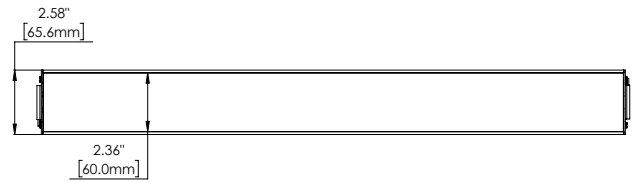
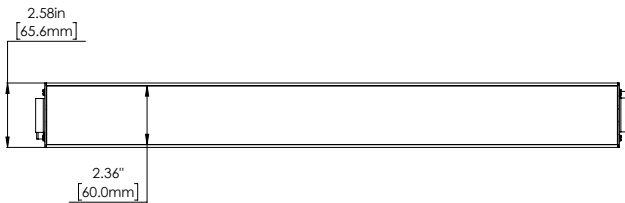
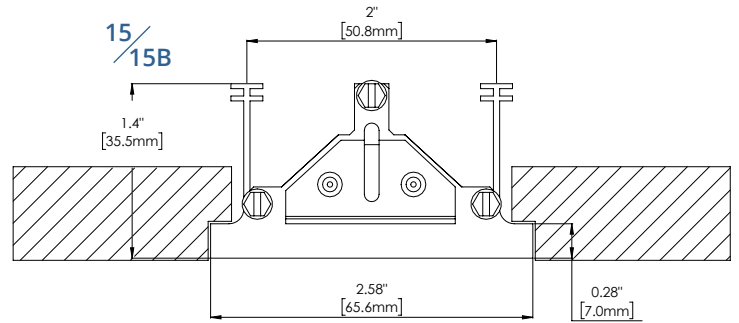
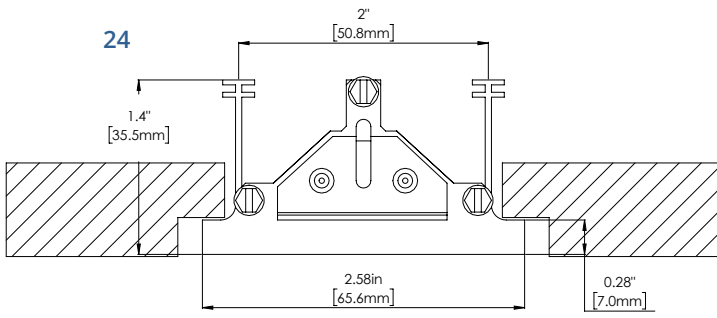
9/16" Vista Comfort™ Single Lens 4000K

Vista Comfort Single Lens

Code Selection	Output (lm/ft)	Power (watts/ft)	Efficacy (lm/W)
<b>LO</b> = Low	527	4.1	128.5
<b>MO</b> = Medium	768	6.1	125.9
<b>HO</b> = High	1016	7.9	128.6

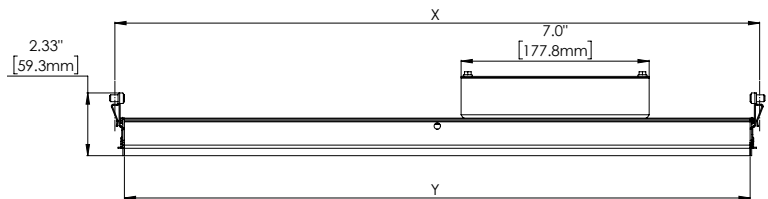
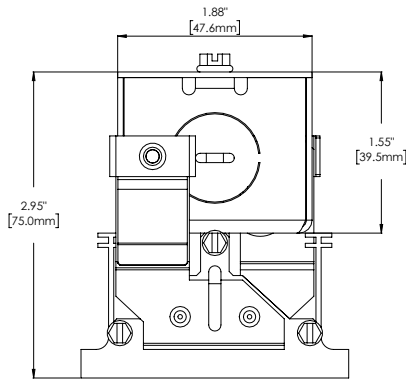
*\*Complete photometric info and IES files are available for download at [www.jlc-tech.com](http://www.jlc-tech.com)*

Dimensions (Compatible with Tegular and Lay-in tiles)



15/16" GEMINI Single Lens  
GEM2-XX-X-X-24-XX-X-W-UNV

9/16" GEMINI Single Lens  
GEM2-XX-X-X-15/15B-XX-X-W-UNV



Size	Grid Type	X	Y
2 = 2ft	15/15B = 9/16"	24"	23.4"
4 = 4ft	15/15B = 9/16"	48"	47.4"
5 = 5ft	15/15B = 9/16"	60"	59.4"

Size	Grid Type	X	Y
2 = 2ft	24 = 15/16"	24"	23"
4 = 4ft	24 = 15/16"	48"	47"
5 = 5ft	24 = 15/16"	60"	59"