



CAUTION

- * This fixture must be installed and wired by a licensed electrician
- * JLC-Tech LLC will not be held responsible if the fixtures are not installed according to applicable codes and safety standards
- * Installation is subject to local code and jurisdiction
- * Keep these instructions for the person responsible for the maintenance of this installation

Electrical Ratings

Input Voltage: 120-277V, 50/60Hz

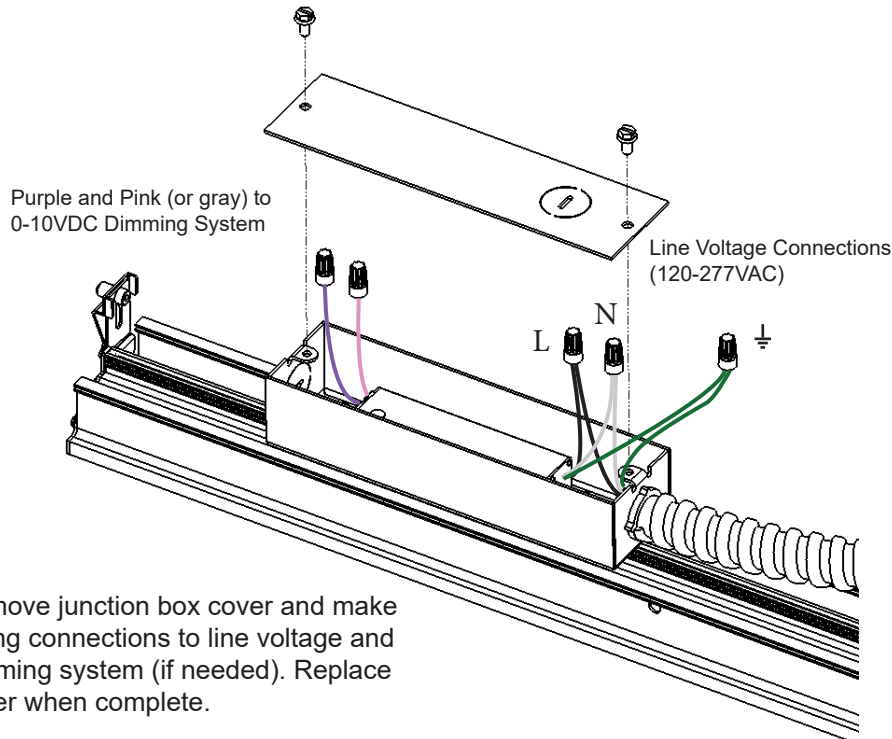
Refer to product label for model specific wattage ratings

ETL Listed for Indoor Use



MADE IN USA

For patent information see www.jlc-tech.com/patents



Remove junction box cover and make wiring connections to line voltage and dimming system (if needed). Replace cover when complete.

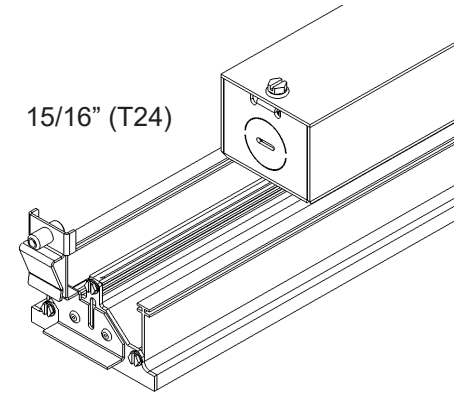
ATTENTION: READ ALL INSTRUCTIONS ENTIRELY BEFORE INSTALLATION

THE ONLY LIGHTING PRODUCTS THAT ARE ENGINEERED AND PATENTED TO REPLACE THE CROSS MEMBERS IN A SUSPENDED GRID CEILING SYSTEM

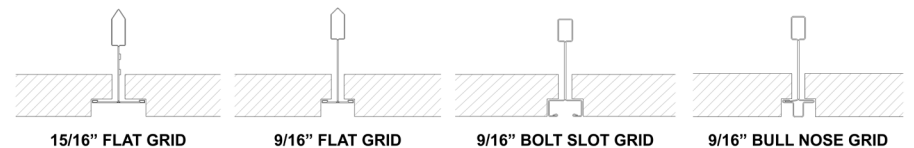
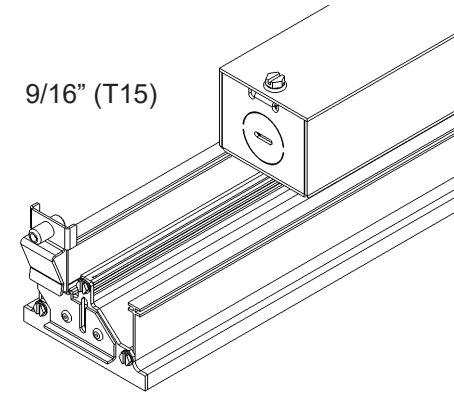
FOR MODELS:

- DIFFUSED WHITE
- VISTA COMFORT™

GEM2-XX-XX-X-24
SPECIFICALLY DESIGNED FOR USE WITH 15/16" (T24) GRID



GEM2-XX-XX-X-15/15B
SPECIFICALLY DESIGNED FOR USE WITH 9/16" (T15) GRID

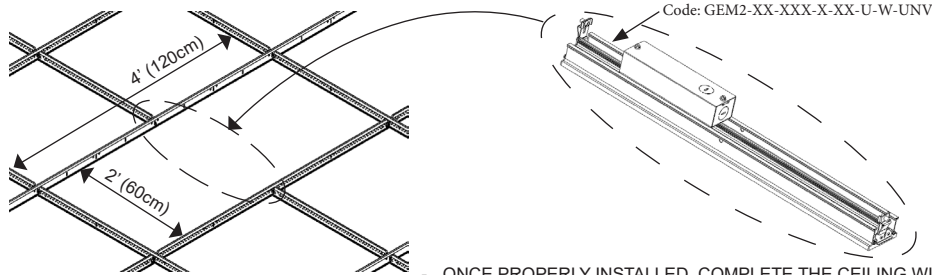


ATTENTION: READ ALL INSTRUCTIONS ENTIRELY BEFORE INSTALLATION

CODE: T-BAR859 Gemini 2" Universal Instruction Sheet 9/16" & 15/16" Rev.01

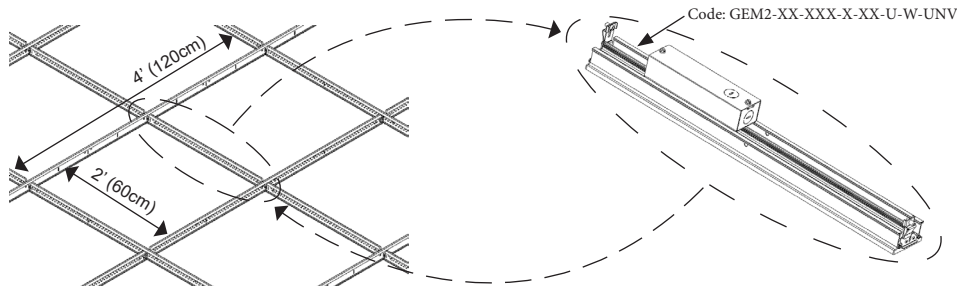
WHERE I CAN INSTALL GEMINI™ 2"

- IN A **NEW** 15/16" (T24) OR 9/16" (T15) CEILING GRID INSTALLATION, ORGANIZE THE PLOT TO HAVE A 2' x 2' (60cm x 60cm), 2' x 4' (60cm x 120cm) OR 4' x 4' (120cm x 120cm) LEAVING SPECIFIC OPENINGS FOR THE INSTALLATION OF GEMINI™ ACCORDING TO THE LIGHT REQUIREMENT.
- INSTALL A 2' (60cm) OR A 4' (120cm) GEMINI™ AT THE CENTER OF THE SPACE, CREATING TWO EQUAL SECTIONS.



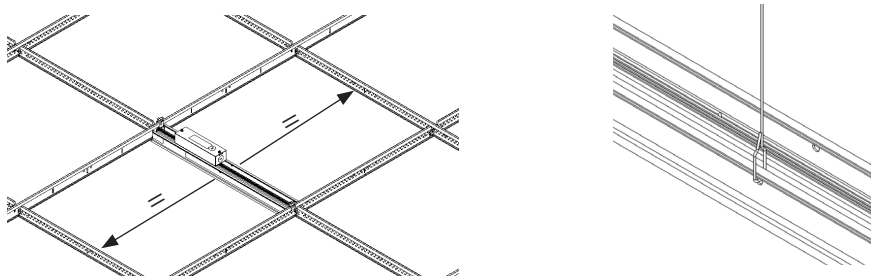
ONCE PROPERLY INSTALLED, COMPLETE THE CEILING WITH 23" WIDE CEILING TILES. MADE TO ORDER TILES SIZES CAN BE PROVIDED BY MOST CEILING MANUFACTURERS.

- IN AN **EXISTING** 15/16" (T24) OR 9/16" (T15) SUSPENDED CEILING GRID, LOCATE THE 2' (60cm) OR 4' (120cm) CROSS TEES THAT ARE INTENDED TO BE SUBSTITUTED WITH THE 2' (60cm) OR 4' (120cm) GEMINI™ (ACCORDING TO THE LIGHT REQUIREMENT)
- REMOVE THE CEILING TILES WITHIN THE SPACE SELECTED AND REMOVE THE CROSS TEES
- INSTALL THE 2' (60cm) OR 4' (120cm) GEMINI™ IN THIS DESIRED LOCATION WHERE CROSS TEES HAVE BEEN REMOVED
- ONCE PROPERLY INSTALLED, COMPLETE THE CEILING WITH 23" WIDE CEILING TILES. MADE TO ORDER TILES SIZES CAN BE PROVIDED BY MOST CEILING MANUFACTURERS.



NOTE: MAKE SURE THE GEMINI IS POSITIONED TO ALLOW THE CORRECT PLACING OF THE SURROUNDING GRID & TILES.

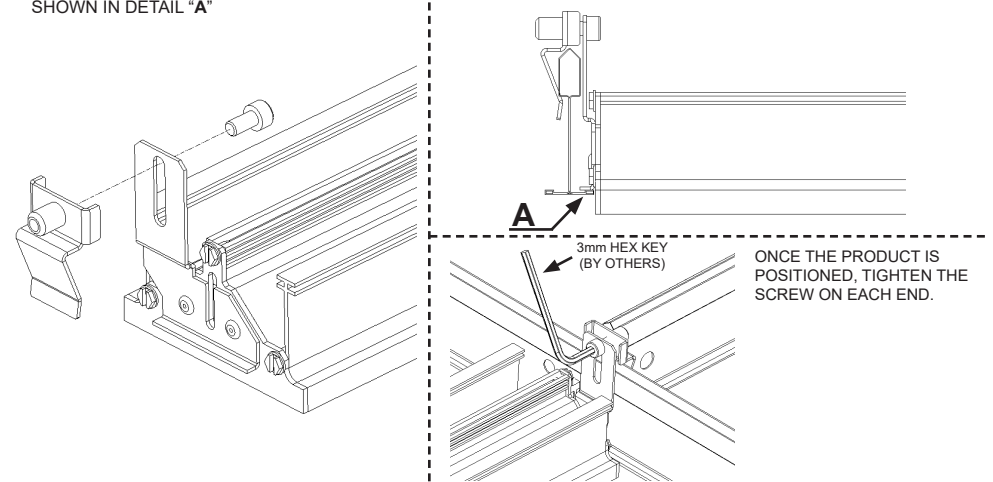
NOTE: GEMINI™ MUST BE ANCHORED TO THE ABOVE BUILDING STRUCTURE WITH STEEL CABLE USING THE PROVIDED HOLES (BY OTHERS).



ATTENTION: READ ALL INSTRUCTIONS ENTIRELY BEFORE INSTALLATION

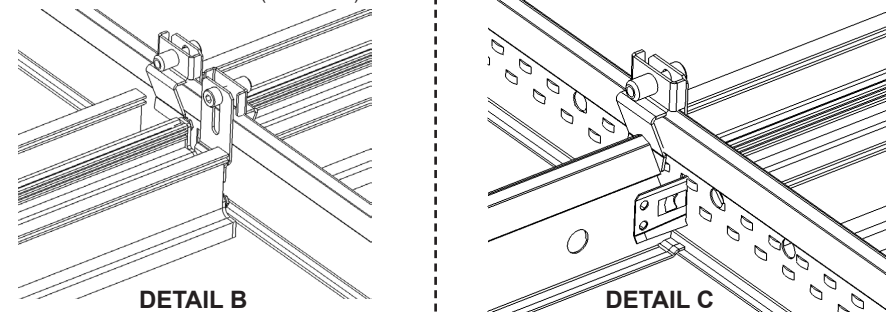
HOW TO INSTALL GEMINI™ 2"

- PLACE THE PRODUCT OVER THE GRID FOLLOWING THE BELOW CONFIGURATION.
- MAKE SURE THAT THE END CAP FLANGE OF THE GEMINI™ SITS FLAT ON THE CORRESPONDING GRID AS SHOWN IN DETAIL "A"



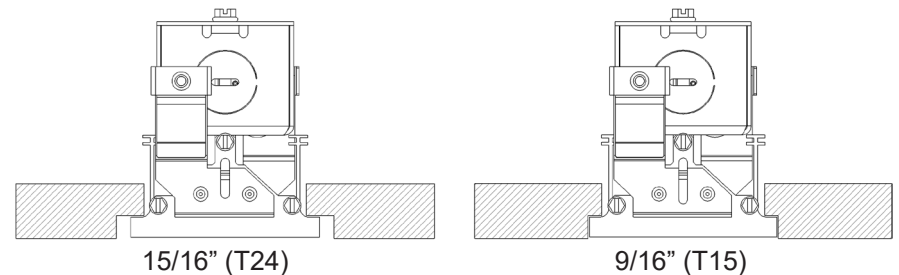
ONCE THE PRODUCT IS POSITIONED, TIGHTEN THE SCREW ON EACH END.

- GEMINI™ IS DESIGNED TO CONNECT END-TO-END WITH EITHER ANOTHER GEMINI™ FIXTURE (DETAIL "B") OR WITH A STANDARD CROSS TEE (DETAIL "C")



- AFTER THE GEMINI™ HAS WIRED (SEE FOLLOWING PAGE FOR INSTRUCTION), YOU CAN INSTALL THE APPROPRIATE SIZED CEILING TILES IN THEIR CORRECT POSITION OVER THE GEMINI™ PRODUCT.

NOTE: GEMINI™ IS DESIGNED TO WORK WITH TEGULAR TILES (LIGHT SITS FLUSH WITH TILE) & LAY-IN TILES (LIGHT SITS PROUD OF TILE).



15/16" (T24)

9/16" (T15)

ATTENTION: READ ALL INSTRUCTIONS ENTIRELY BEFORE INSTALLATION