

CAUTION

- * This fixture must be installed and wired by a licensed electrician
- * JLC-Tech LLC will not be held responsible if the fixtures are not installed according to applicable codes and safety standards
- * Installation is subject to local code and jurisdiction
- * Keep these instructions for the person responsible for the maintenance of this installation

Electrical Ratings

Input Voltage: 120-277V, 50/60Hz

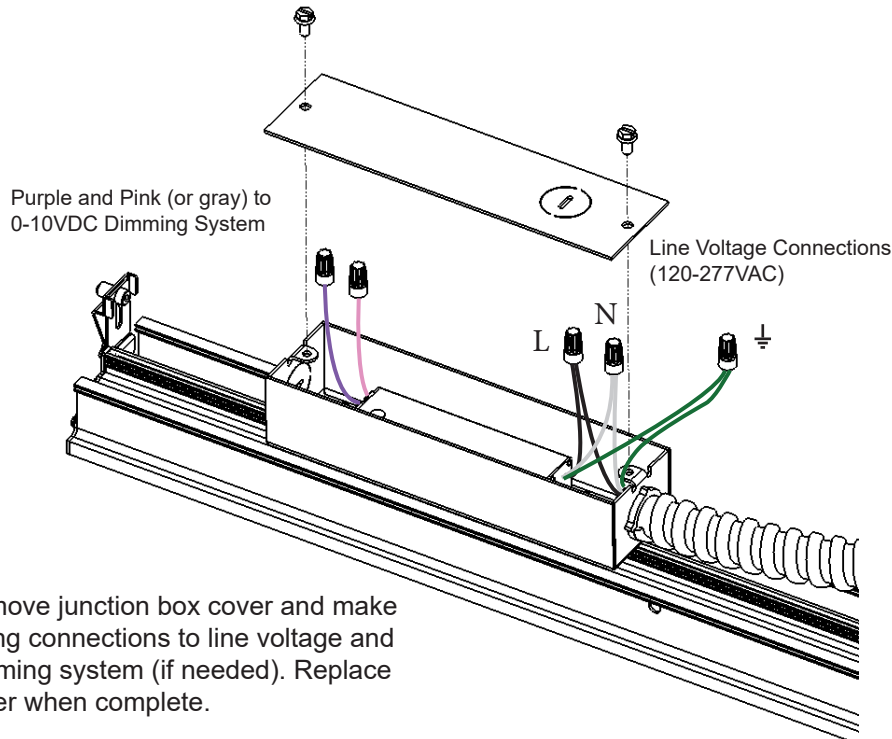
Refer to product label for model specific wattage ratings

ETL Listed for Indoor Use



MADE IN USA

For patent information see www.jlc-tech.com/patents



Remove junction box cover and make wiring connections to line voltage and dimming system (if needed). Replace cover when complete.

ATTENTION: READ ALL INSTRUCTIONS ENTIRELY BEFORE INSTALLATION

ATTENTION: READ ALL INSTRUCTIONS ENTIRELY BEFORE INSTALLATION

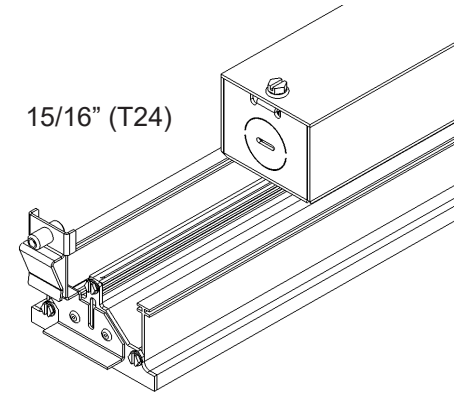
Armstrong®
World Industries
COMPATIBLE PRODUCT

THE ONLY LIGHTING PRODUCTS THAT ARE ENGINEERED AND PATENTED TO REPLACE THE CROSS MEMBERS IN A SUSPENDED GRID CEILING SYSTEM

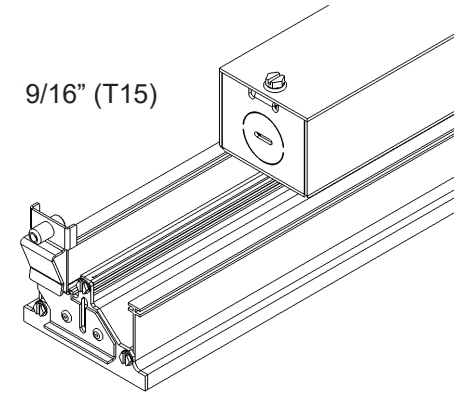
FOR MODELS:

- DIFFUSED WHITE
- VISTA COMFORT™

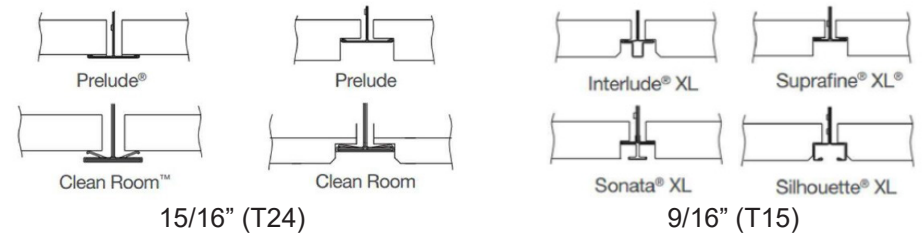
GEM2-XX-XX-X-24
SPECIFICALLY DESIGNED FOR USE WITH 15/16" (T24) GRID



GEM2-XX-XX-X-15/15B
SPECIFICALLY DESIGNED FOR USE WITH 9/16" (T15) GRID

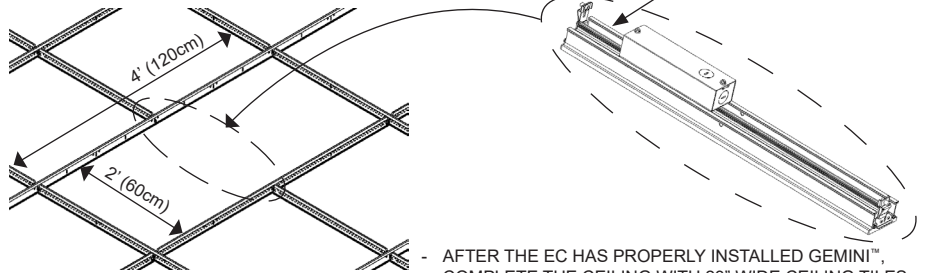


CODE: T-BAR858 Gemini 2" Armstrong Instruction Sheet 9/16" & 15/16" Rev.01



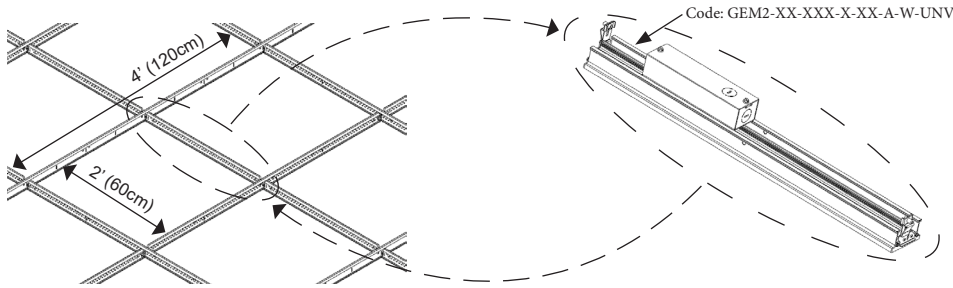
WHERE I CAN INSTALL GEMINI™ 2"

- IN A **NEW** 15/16" (T24) OR 9/16" (T15) CEILING GRID INSTALLATION, THE ACOUSTICAL CONTRACTOR (AC) WILL INSTALL THE ARMSTRONG® CEILING GRID IN A 2' x 2' (60cm x 60cm), 2' x 4' (60cm x 120cm) OR 4' x 4' (120cm x 120cm) LEAVING SPECIFIC OPENINGS FOR THE ELECTRICAL CONTRACTOR (EC) TO INSTALL GEMINI™ ACCORDING TO THE LIGHT REQUIREMENT.
- THE EC WILL INSTALL A 2' (60cm) OR A 4' (120cm) GEMINI™ AT THE CENTER OF THE SPACE, CREATING TWO EQUAL SECTIONS.



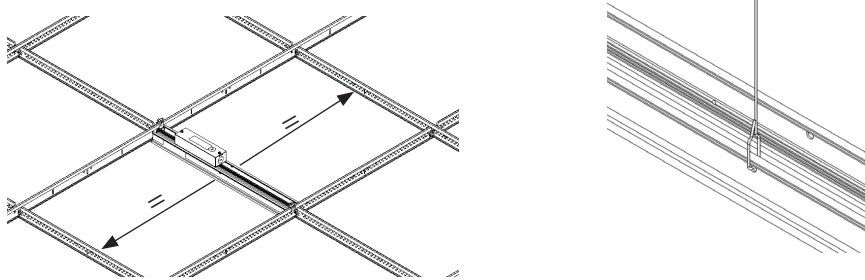
- AFTER THE EC HAS PROPERLY INSTALLED GEMINI™, COMPLETE THE CEILING WITH 23" WIDE CEILING TILES. MADE TO ORDER TILES SIZES CAN BE PROVIDED BY ARMSTRONG® CEILINGS.

- IN AN **EXISTING** 15/16" (T24) OR 9/16" (T15) SUSPENDED CEILING GRID, **VERIFY THE EXISTING GRID IS AN ARMSTRONG® CEILING**, THEN LOCATE THE 2' (60cm) OR 4' (120cm) CROSS TEES THAT ARE INTENDED TO BE SUBSTITUTED WITH THE 2' (60cm) OR 4' (120cm) GEMINI™ (ACCORDING TO THE LIGHT REQUIREMENT)
- THE AC SHALL TEMPORARILY REMOVE THE CEILING TILES WITHIN THE SPACE SELECTED AND REMOVE THE CROSS TEES
- THE EC SHALL THEN INSTALL THE 2' (60cm) OR 4' (120cm) GEMINI™ IN THIS DESIRED LOCATION WHERE CROSS TEES HAVE BEEN REMOVED
- AFTER THE EC HAS PROPERLY INSTALLED GEMINI™, COMPLETE THE CEILING WITH 23" WIDE CEILING TILES. MADE TO ORDER TILES SIZES CAN BE PROVIDED BY ARMSTRONG® CEILINGS.



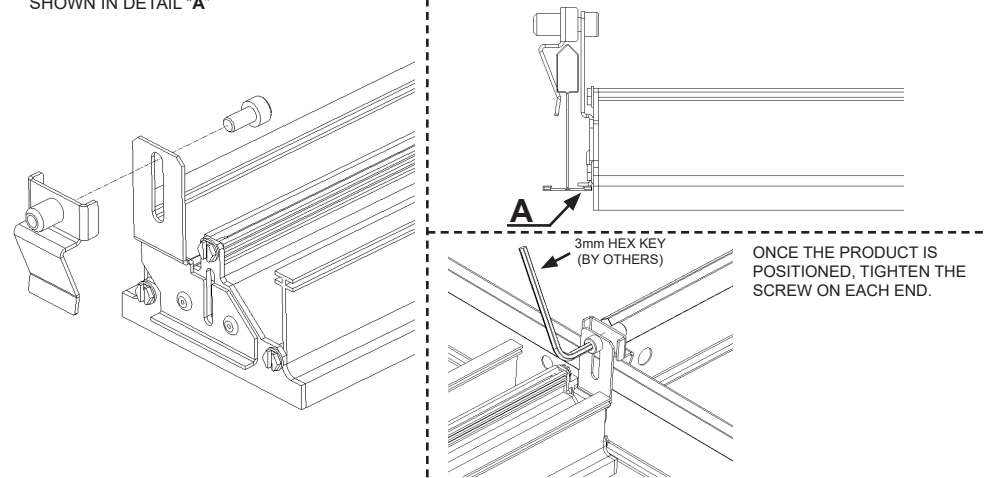
NOTE: MAKE SURE THE GEMINI IS POSITIONED TO ALLOW THE CORRECT PLACING OF THE SURROUNDING GRID & TILES.

NOTE: GEMINI™ MUST BE ANCHORED TO THE ABOVE BUILDING STRUCTURE WITH STEEL CABLE USING THE PROVIDED HOLES (BY OTHERS).

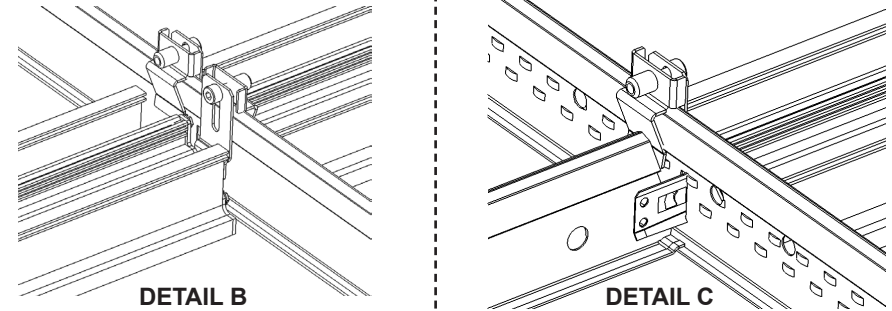


HOW TO INSTALL GEMINI™ 2"

- PLACE THE PRODUCT OVER THE GRID FOLLOWING THE BELOW CONFIGURATION.
- MAKE SURE THAT THE END CAP FLANGE OF THE GEMINI™ SITS FLAT ON THE CORRESPONDING GRID AS SHOWN IN DETAIL "A"

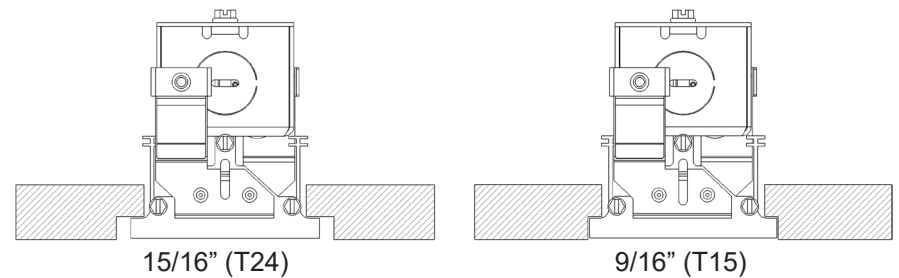


- GEMINI™ IS DESIGNED TO CONNECT END-TO-END WITH EITHER ANOTHER GEMINI™ FIXTURE (DETAIL "B") OR WITH A STANDARD CROSS TEE (DETAIL "C")



- AFTER THE EC HAS WIRED GEMINI™ (SEE FOLLOWING PAGE FOR INSTRUCTION), THE AC CAN INSTALL THE APPROPRIATE SIZED CEILING TILES IN THEIR CORRECT POSITION OVER THE GEMINI™ PRODUCT.

NOTE: GEMINI™ IS DESIGNED TO WORK WITH TEGULAR TILES (LIGHT SITS FLUSH WITH TILE) & LAY-IN TILES (LIGHT SITS PROUD OF TILE).



ATTENTION: READ ALL INSTRUCTIONS ENTIRELY BEFORE INSTALLATION

ATTENTION: READ ALL INSTRUCTIONS ENTIRELY BEFORE INSTALLATION