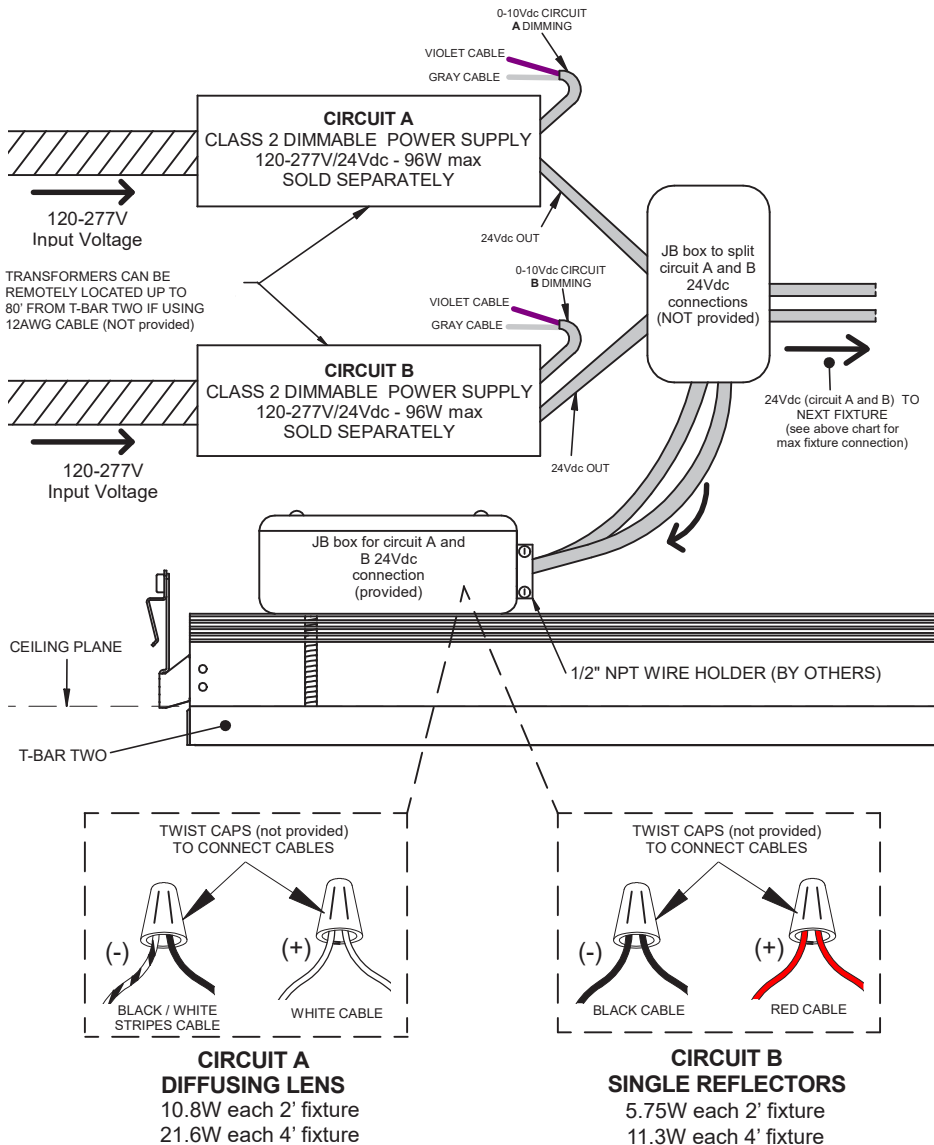


HOW TO ELECTRIFY THE T-BAR TWO

Max Run Lengths

	Circuit A Wattage	# Fixture/Driver A	Circuit B Wattage	# Fixture/Driver B
2ft fixture	10.8W	8	5.75W	8
4ft fixture	21.6W	4	11.3W	4



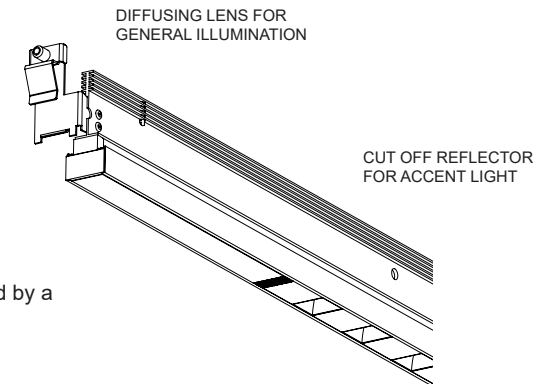
ATTENTION: READ ALL INSTRUCTIONS ENTIRELY BEFORE INSTALLATION

ATTENTION: READ ALL INSTRUCTIONS ENTIRELY BEFORE INSTALLATION

ATTENTION: READ ALL INSTRUCTIONS ENTIRELY BEFORE INSTALLATION

THE NEXT
GENERATION GREEN
LIGHTING SOLUTION
FOR SUSPENDED
CEILING APPLICATIONS

SPECIFICALLY DESIGNED
FOR 9/16" (T15) GRID



CAUTION:

This fixture must be installed and wired by a licensed electrician.

JLC-Tech LLC will not be held responsible if the fixtures are not installed according to applicable codes and safety standards

Installation is subject to local code and jurisdiction

Keep these instructions for the person responsible for the maintenance of this installation.

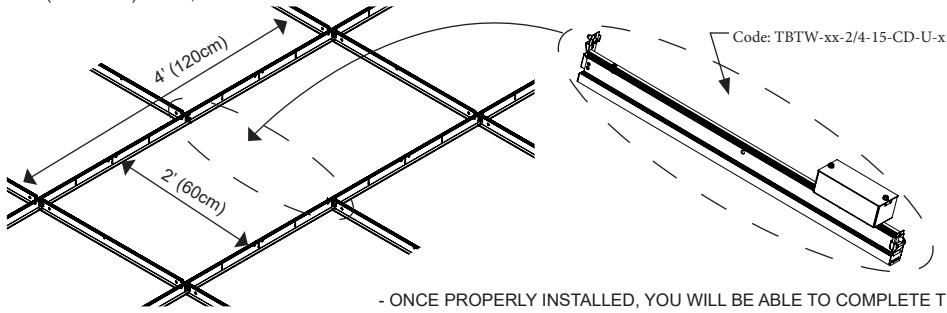
The T-BAR LED product line is protected under the following patents:
Patent No. 8,177,385; 9,879,850; 004481000-0001; 004481000-0002.
Additional patents are pending.



MADE IN USA

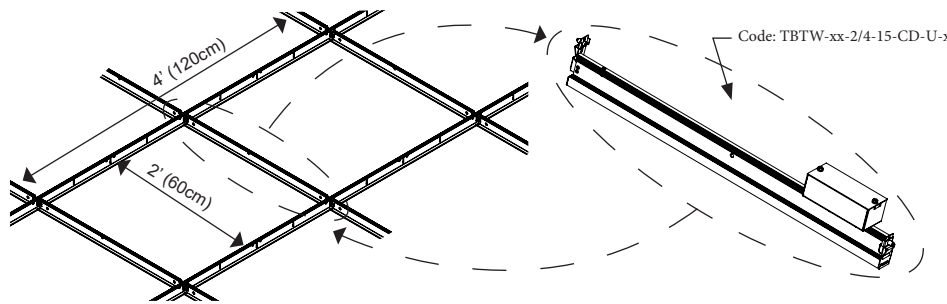
WHERE I CAN INSTALL THE T-BAR TWO™

- IN A NEW CEILING INSTALLATION 9/16" (T15) GRID, ORGANIZE THE PLOT TO HAVE A 2'x4' (60x120cm), OR 4'x4' (120x120cm) SPACES WHERE THE 2' OR 4' T-BAR TWO™ WILL BE INSTALLED (ACCORDING TO THE LIGHT REQUIREMENT)
- INSTALL THE T-BAR TWO™ AT THE CENTER OF THE SPACE, CREATING TWO SECTIONS OF 2'x2' (60x60cm) OR 2'x4' (60x120cm) EACH, DEPENDING IF USING A 2' OR 4' T-BAR TWO™



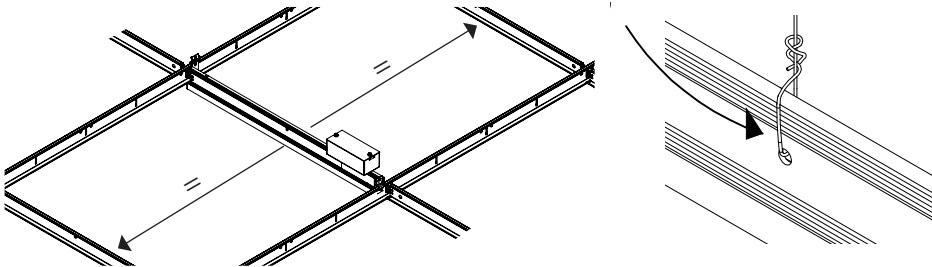
- ONCE PROPERLY INSTALLED, YOU WILL BE ABLE TO COMPLETE THE CEILING WITH 2'x2' (60x60cm) OR 2'x4' (60x120cm) TILES

- IN AN EXISTING SUSPENDED CEILING 9/16" (T15), LOCATE THE 2' (60cm) OR 4' (120cm) CROSS TEES THAT ARE INTENDED TO BE SUBSTITUTED WITH THE 2' (60cm) OR 4' (120cm) T-BAR TWO™ (ACCORDING TO THE LIGHT REQUIREMENT)
- TEMPORARILY REMOVE THE TILES WITHIN THE SPACE YOU SELECTED
- REMOVE THE 2' (60cm) OR 4' (120cm) CROSS TEE AND REPLACE IT WITH THE 2' (60cm) OR 4' (120cm) T-BAR TWO™
- ONCE PROPERLY INSTALLED, PLACE THE 2'x2' (60x60cm) OR 2'x4' (60x120cm) TILES BACK



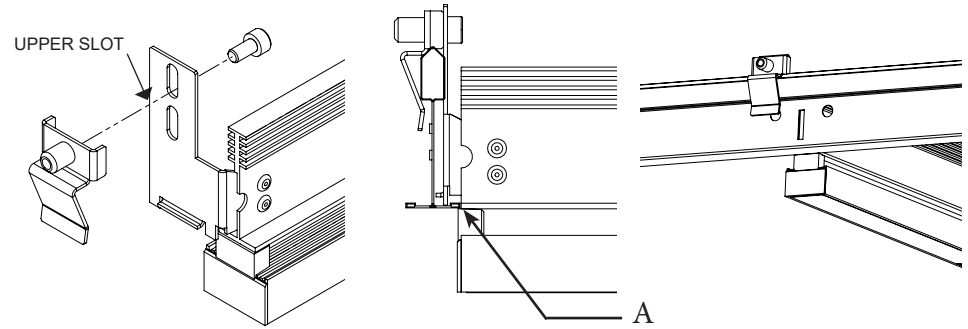
NOTE: MAKE SURE THAT THE T-BAR TWO™ IS POSITIONED TO ALLOW THE CORRECT PLACING OF THE CORRESPONDENT TILES

T-BAR TWO™ MUST BE ANCHORED TO THE ABOVE BUILDING STRUCTURE WITH A STEEL CABLE USING THE CENTER HOLE. (STEEL CABLE BY OTHERS)

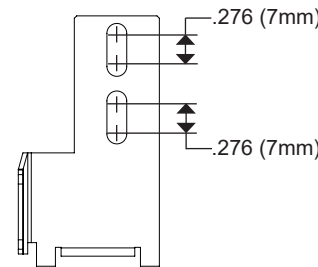


HOW I INSTALL THE T-BAR TWO™

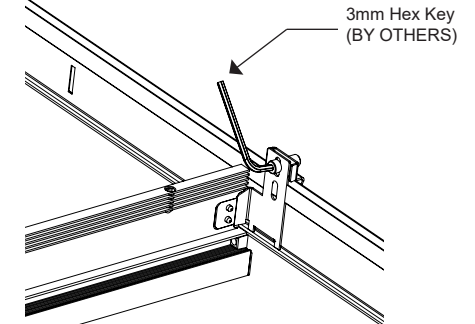
- PLACE THE PRODUCT OVER THE GRID FOLLOWING THE BELOW CONFIGURATION.
- MAKE SURE THAT THE UPPER PLANE OF THE T-BAR TWO™ IS AT THE SAME PLANE WITH THE UPPER PLANE OF THE GRID AS SHOWN IN DETAIL "A".



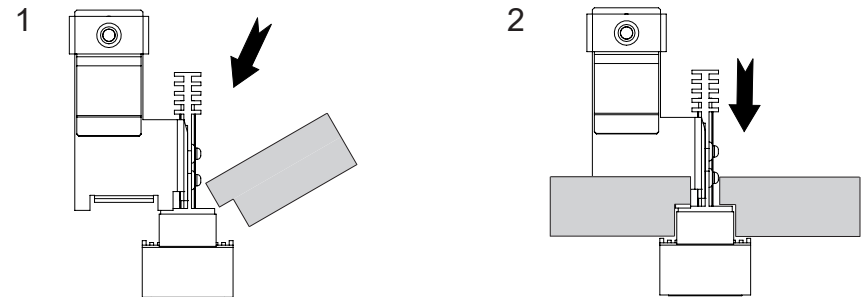
NOTE: THE SLOTS ON THE MOUNTING BRACKET ARE DESIGNED TO ACCOMODATE DIFFERENT GRID HEIGHTS



ONCE THE PRODUCT IS POSITIONED, TIGHTEN THE SCREW ON EACH END



- AFTER YOU HAVE ELECTRIFIED THE SYSTEM (SEE FOLLOWING PAGE FOR INSTRUCTION), YOU CAN INSTALL THE TILES IN THEIR CORRECT POSITION OVER THE T-BAR TWO™ PRODUCT



ATTENTION: READ ALL INSTRUCTIONS ENTIRELY BEFORE INSTALLATION

ATTENTION: READ ALL INSTRUCTIONS ENTIRELY BEFORE INSTALLATION