



**Electrical Ratings**

Input Voltage: 120-277V, 50/60Hz

Refer to product label for model specific wattage ratings

**ETL listed for indoor use**



**MADE IN USA**

For patent information see [www.jlc-tech.com/patents](http://www.jlc-tech.com/patents)

\*This fixture must be installed and wired by a licensed electrician.

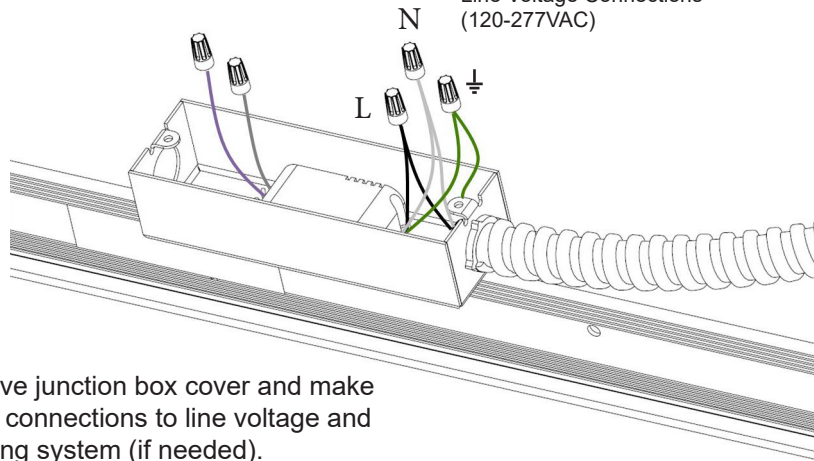
\*JLC-Tech LLC will not be held responsible if the fixtures are not installed according to applicable codes and safety standards

\*Installation is subject to local code and jurisdiction

\*Keep these instructions for the person responsible for the maintenance of this installation.

Purple and Pink(or gray) to 0-10VDC Dimming System

Line Voltage Connections (120-277VAC)



Remove junction box cover and make wiring connections to line voltage and dimming system (if needed). Replace cover when complete.

ATTENTION: READ ALL INSTRUCTIONS ENTIRELY BEFORE INSTALLATION

ATTENTION: READ ALL INSTRUCTIONS ENTIRELY BEFORE INSTALLATION

CODE: T-BAR651 T-BAR LED X-Series Universal Instruction Sheet 9/16" & 15/16" Rev.03

**ATTENTION: READ ALL INSTRUCTIONS ENTIRELY BEFORE INSTALLATION**

THE ONLY LIGHTING PRODUCTS THAT ARE ENGINEERED AND PATENTED TO REPLACE THE CROSS MEMBERS IN A SUSPENDED GRID CEILING SYSTEM

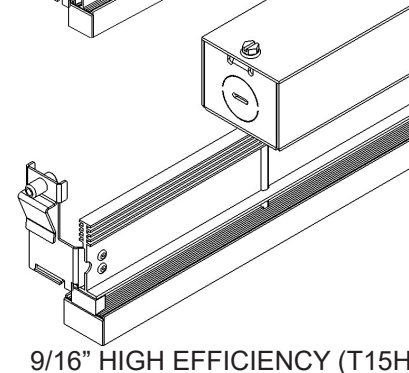
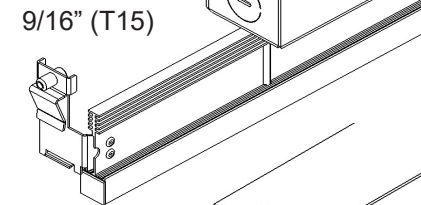
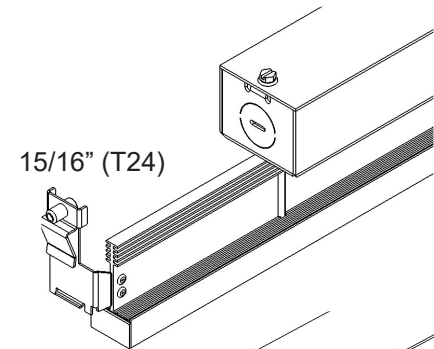
**FOR MODELS:**

- DIFFUSING LENS
- BLOCK LENS
- DIFFUSE WHITE LENS

**TBLX-XX-XX-X-24**  
SPECIFICALLY DESIGNED FOR USE WITH 15/16" (T24) GRID

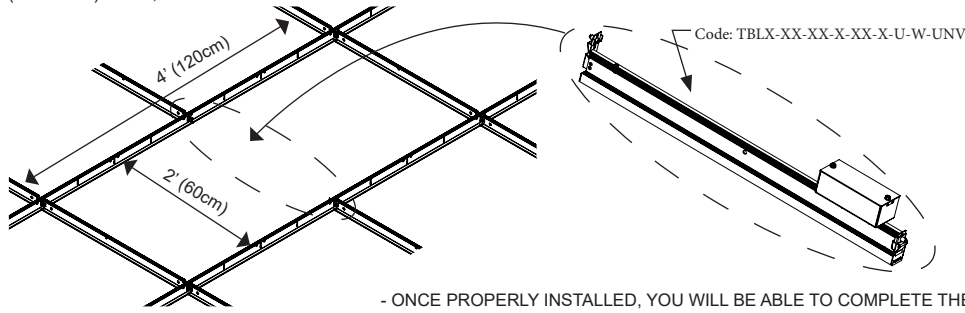
**TBLX-XX-XX-X-15/15B**  
SPECIFICALLY DESIGNED FOR USE WITH 9/16" (T15) GRID

**TBLX-XX-XX-X-15H/15HB**  
SPECIFICALLY DESIGNED FOR USE WITH 9/16" (T15) GRID



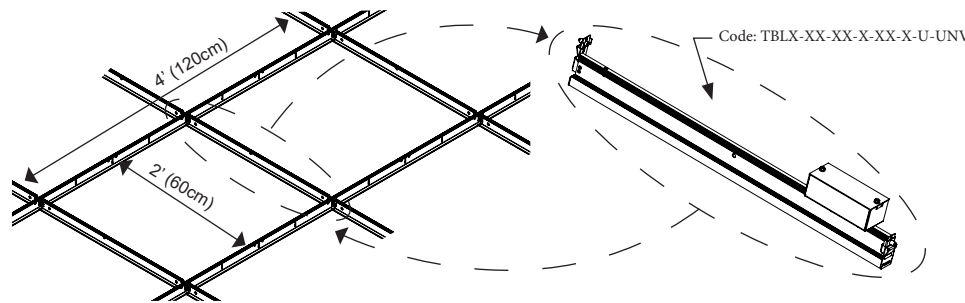
**WHERE I CAN INSTALL THE T-BAR LED®**

- IN A NEW 15/16" (T24) OR 9/16" (T15) CEILING INSTALLATION, ORGANIZE THE PLOT TO HAVE A 2'x4' (60x120cm), OR 4'x4' (120x120cm) SPACES WHERE THE 2' OR 4' T-BAR LED® WILL BE INSTALLED (ACCORDING TO THE LIGHT REQUIREMENT)
- INSTALL THE T-BAR LED® AT THE CENTER OF THE SPACE, CREATING TWO SECTIONS OF 2'x2' (60x60cm) OR 2'x4' (60x120cm) EACH, DEPENDING IF USING A 2' OR 4' T-BAR LED®



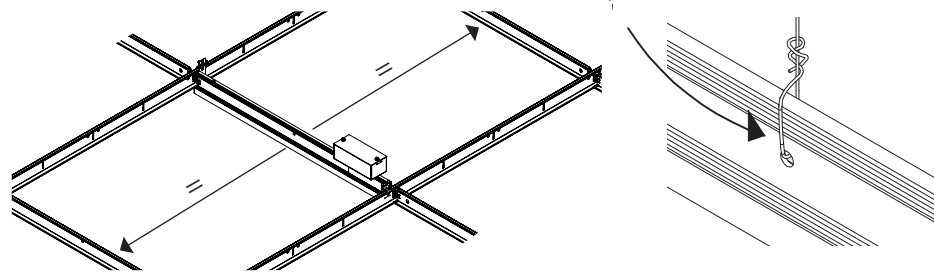
- ONCE PROPERLY INSTALLED, YOU WILL BE ABLE TO COMPLETE THE CEILING WITH 2'x2' (60x60cm) OR 2'x4' (60x120cm) TILES

- IN AN EXISTING 15/16" (T24) OR 9/16" (T15) SUSPENDED CEILING, LOCATE THE 2' (60cm) OR 4' (120cm) CROSS TEES THAT ARE INTENDED TO BE SUBSTITUTED WITH THE 2' (60cm) OR 4' (120cm) T-BAR LED® (ACCORDING TO THE LIGHT REQUIREMENT)
- TEMPORARILY REMOVE THE TILES WITHIN THE SPACE YOU SELECTED
- REMOVE THE 2' (60cm) OR 4' (120cm) CROSS TEE AND REPLACE IT WITH THE 2' (60cm) OR 4' (120cm) T-BAR LED®
- ONCE PROPERLY INSTALLED, PLACE THE 2'x2' (60x60cm) OR 2'x4' (60x120cm) TILES BACK



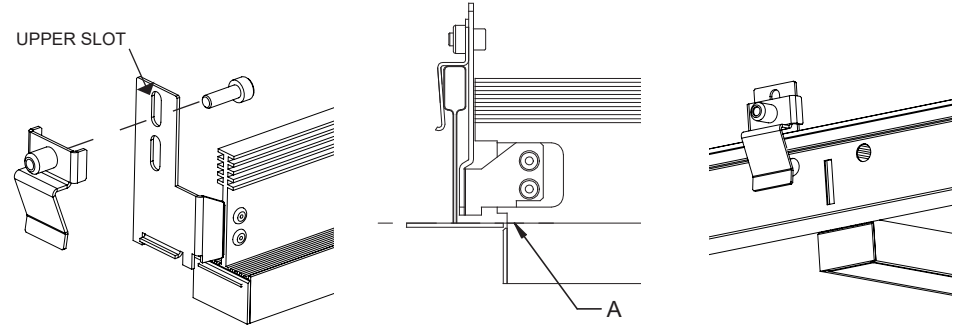
**NOTE:** MAKE SURE THAT THE T-BAR LED® IS POSITIONED TO ALLOW THE CORRECT PLACING OF THE CORRESPONDENT TILES

T-BAR LED® MUST BE ANCHORED TO THE ABOVE BUILDING STRUCTURE WITH A STEEL CABLE USING THE CENTER HOLE. (STEEL CABLE BY OTHERS)

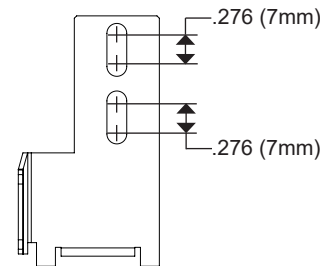


**HOW I INSTALL THE T-BAR T-BAR LED®**

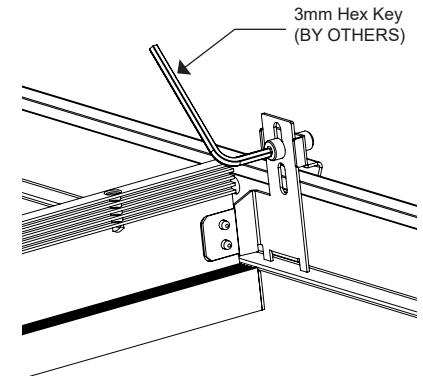
- PLACE THE PRODUCT OVER THE GRID FOLLOWING THE BELOW CONFIGURATION.
- MAKE SURE THAT THE UPPER PLANE OF THE T-BAR LED® IS AT THE SAME PLANE WITH THE UPPER PLANE OF THE GRID AS SHOWN IN DETAIL 'A'.



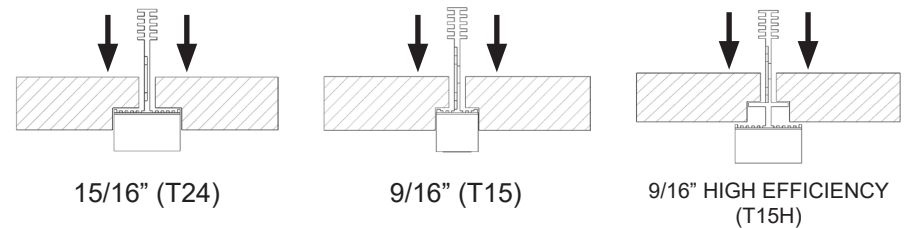
**NOTE:** THE SLOTS ON THE MOUNTING BRACKET ARE DESIGNED TO ACCOMMODATE DIFFERENT GRID HEIGHTS



ONCE THE PRODUCT IS POSITIONED, TIGHTEN THE SCREW ON EACH END



- AFTER YOU HAVE ELECTRIFIED THE SYSTEM (SEE FOLLOWING PAGE FOR INSTRUCTION), YOU CAN INSTALL THE TILES IN THEIR CORRECT POSITION OVER THE T-BAR LED® PRODUCT



ATTENTION: READ ALL INSTRUCTIONS ENTIRELY BEFORE INSTALLATION

ATTENTION: READ ALL INSTRUCTIONS ENTIRELY BEFORE INSTALLATION