



Electrical Ratings

Input Voltage: 120-277V, 50/60Hz

Refer to product label for model specific wattage ratings

ETL Listed for Indoor Use



MADE IN USA

For patent information see www.jlc-tech.com/patents

*This fixture must be installed and wired by a licensed electrician.

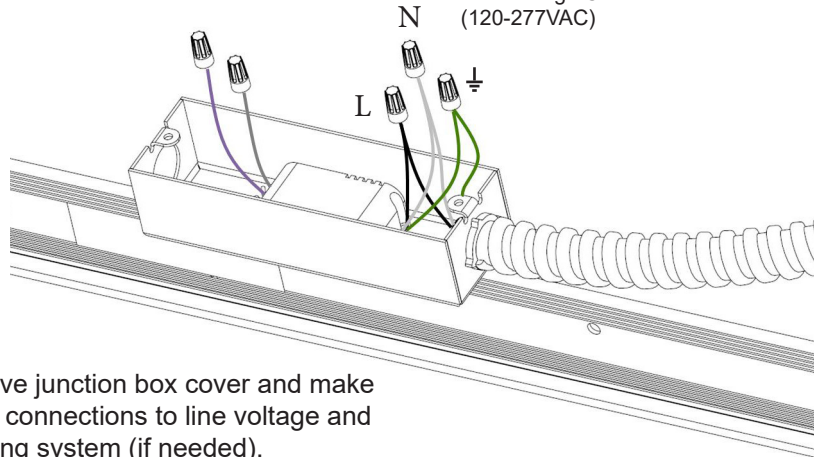
*JLC-Tech LLC will not be held responsible if the fixtures are not installed according to applicable codes and safety standards

*Installation is subject to local code and jurisdiction

*Keep these instructions for the person responsible for the maintenance of this installation.

Purple and Pink(or gray) to 0-10VDC Dimming System

Line Voltage Connections (120-277VAC)



Remove junction box cover and make wiring connections to line voltage and dimming system (if needed). Replace cover when complete.

ATTENTION: READ ALL INSTRUCTIONS ENTIRELY BEFORE INSTALLATION

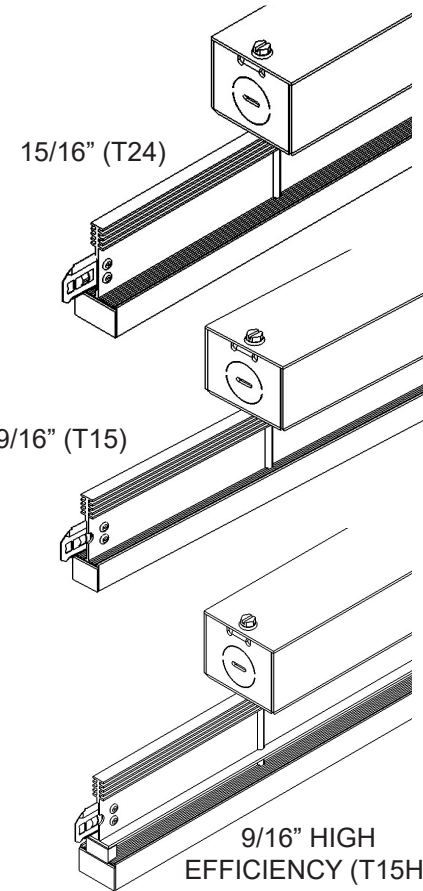


CEILING SOLUTIONS
COMPATIBLE PRODUCT

THE ONLY LIGHTING PRODUCTS THAT ARE ENGINEERED AND PATENTED TO REPLACE THE CROSS MEMBERS IN A SUSPENDED GRID CEILING SYSTEM

FOR MODELS:

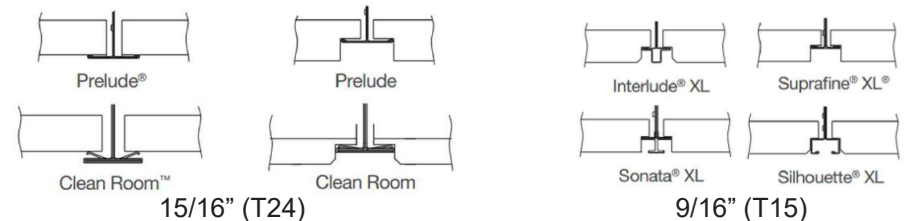
- DIFFUSING LENS
- BLOCK LENS
- DIFFUSE WHITE LENS



TBLX-XX-XX-X-24
SPECIFICALLY DESIGNED FOR USE WITH 15/16" (T24) GRID

TBLX-XX-XX-X-15/15B
SPECIFICALLY DESIGNED FOR USE WITH 9/16" (T15) GRID

TBLX-XX-XX-X-15H/15HB
SPECIFICALLY DESIGNED FOR USE WITH 9/16" (T15) GRID



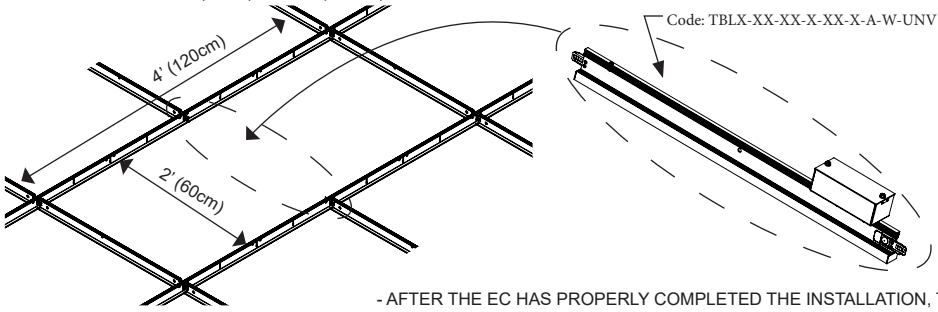
CODE: T-BAR650 T-BAR LED X-Series Armstrong Instruction Sheet 9/16" & 15/16" Rev.03

ATTENTION: READ ALL INSTRUCTIONS ENTIRELY BEFORE INSTALLATION

WHERE I CAN INSTALL THE T-BAR LED®

- IN A NEW 15/16" (T24) OR 9/16" (T15) CEILING GRID INSTALLATION, THE ACOUSTICAL CONTRACTOR (AC) WILL INSTALL THE ARMSTRONG CEILING GRID IN A 2' x 2' (60cm x 60cm), 2' x 4' (60cm x 120cm) OR 4' x 4' (120cm x 120cm) LEAVING SPECIFIC OPENINGS FOR THE ELECTRICAL CONTRACTOR (EC), ACCORDING TO THE LIGHT REQUIREMENT

- THE EC WILL INSTALL A 2' (60cm) OR A 4' (120cm) T-BAR LED® AT THE SPECIFIC OPENING IN THE CEILING



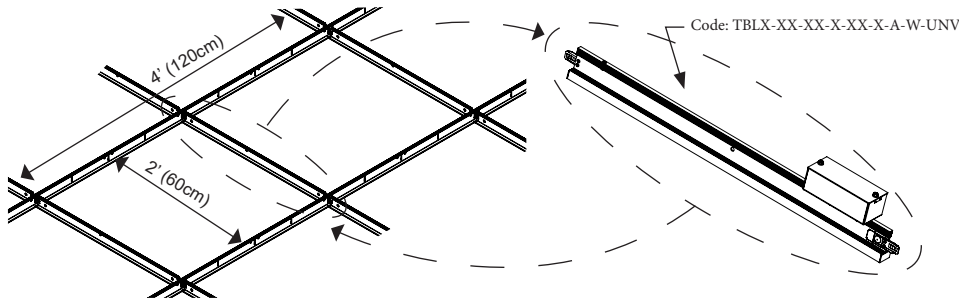
- AFTER THE EC HAS PROPERLY COMPLETED THE INSTALLATION, THE AC WILL FINISH THE CEILING WITH APPROPRIATE SIZE CEILING TILES

- IN AN EXISTING SUSPENDED 15/16" (T24) OR 9/16" (T15) GRID, VERIFY THE EXISTING CEILING IS AN ARMSTRONG CEILING, THEN LOCATE THE CROSS TEES THAT ARE INTENDED TO BE SUBSTITUTED WITH THE 2' (60cm) OR 4' (120cm) T-BAR LED® (ACCORDING TO THE LIGHT REQUIREMENT)

- THE AC SHALL TEMPORARILY REMOVE THE TILES WITHIN THE SPACE SELECTED AND REMOVE THE CROSS TEES

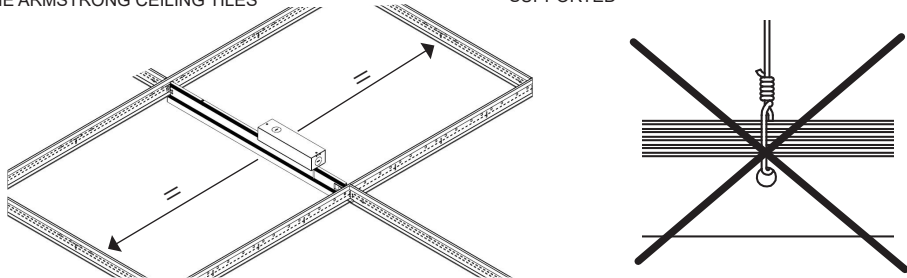
- THE EC SHALL THEN INSTALL THE 2' (60cm) OR 4' (120cm) T-BAR LED® IN THIS DESIRED LOCATION

- AFTER THE EC HAS PROPERLY COMPLETED THE INSTALLATION, THE AC WILL REINSTALL THE EXISTING OR REPLACEMENT CEILING TILES



NOTE: WHEN CORRECTLY INSTALLED THE END DETAILS WILL ENSURE THE T-BAR LED® IS POSITIONED CORRECTLY ALLOWING FOR THE CORRECT SPACING OF THE ARMSTRONG CEILING TILES

NOTE: THE T-BAR LED® HAS BEEN SEISMICALLY TESTED FOR USE WITH ARMSTRONG CEILINGS AND **DOES NOT NEED** TO BE INDEPENDENTLY SUPPORTED

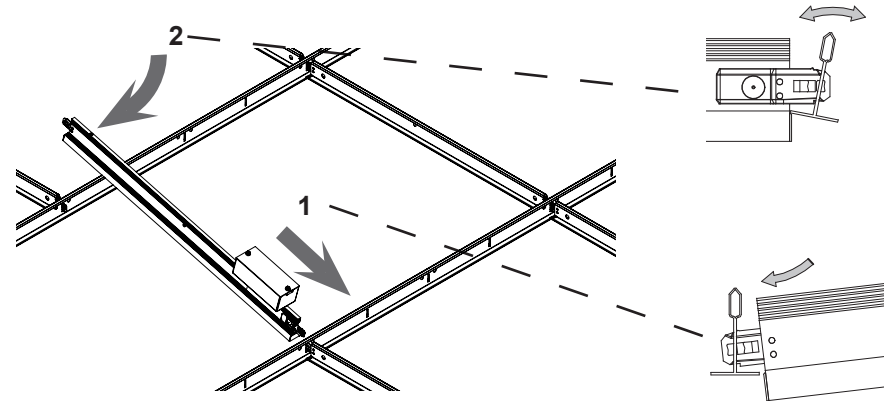


ATTENTION: READ ALL INSTRUCTIONS ENTIRELY BEFORE INSTALLATION

HOW I INSTALL THE T-BAR LED®

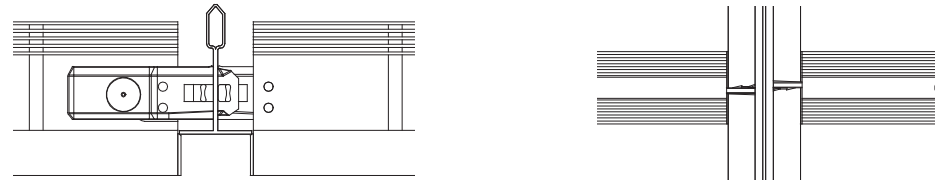
- PLACE THE PRODUCT OVER THE GRID FOLLOWING THE BELOW CONFIGURATION. ENTER ONE CLIP INSIDE THE DESIRED ROUT LOCATION (1).

- ENTER THE OTHER CLIP ON THE OTHER SIDE INSIDE THE CORRESPONDING ROUT LOCATION BY TWISTING THE GRID AND APPLYING ENOUGH PRESSURE TO ALLOW THE PRODUCT TO ENTER IN PLACE (2).



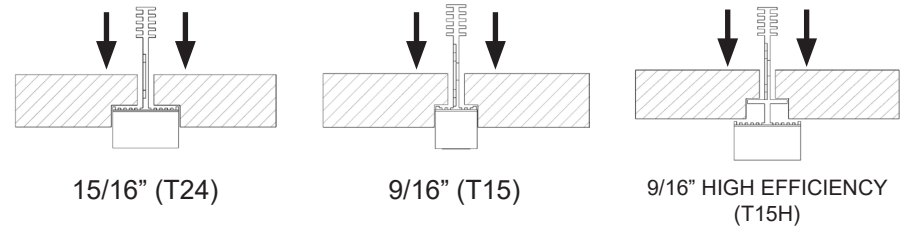
- DETAILED SIDE AND TOP VIEW OF TWO T-BAR LED® CONNECTED TOGETHER. THE MOUNTING CLIP IS DESIGNED TO CONNECT SIDE BY SIDE WITH ANOTHER T-BAR LED® OR WITH A STANDARD ARMSTRONG CROSS TEE

! ARMSTRONG CLIP INSTALLED TO THE RIGHT SIDE OF INTERSECTING CLIP



- AFTER THE EC HAS ELECTRIFIED THE T-BAR LED® (SEE FOLLOWING PAGE FOR INSTRUCTION), THE AC CAN INSTALL THE ARMSTRONG CEILING TILES IN THEIR CORRECT POSITION OVER THE T-BAR LED® PRODUCT AS SHOWN

NOTE: ONLY TEGULAR AND LAY IN CEILING TILES MAY BE USED WITH THE T-BAR LED®



ATTENTION: READ ALL INSTRUCTIONS ENTIRELY BEFORE INSTALLATION