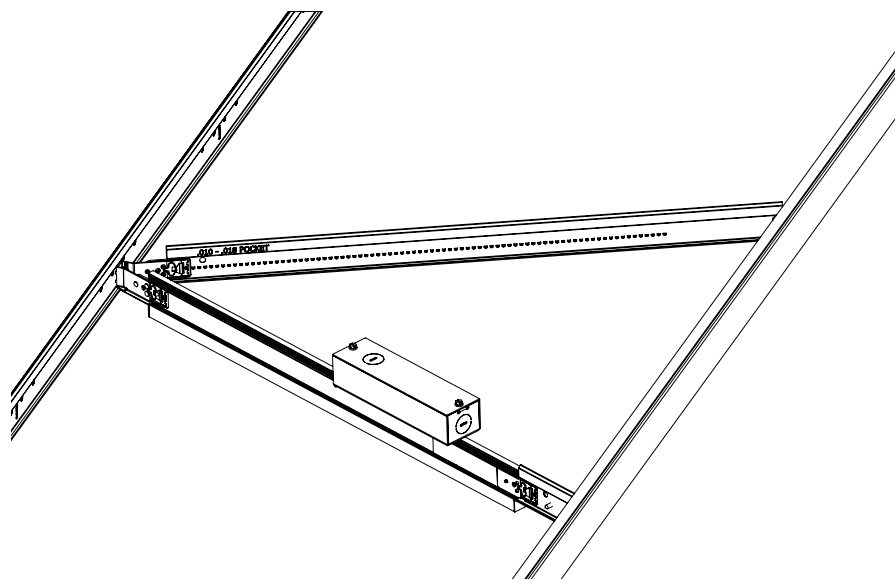


COMPLETED ASSEMBLY OF THE T-BAR FLEX® PERIMETER ACCESSORY



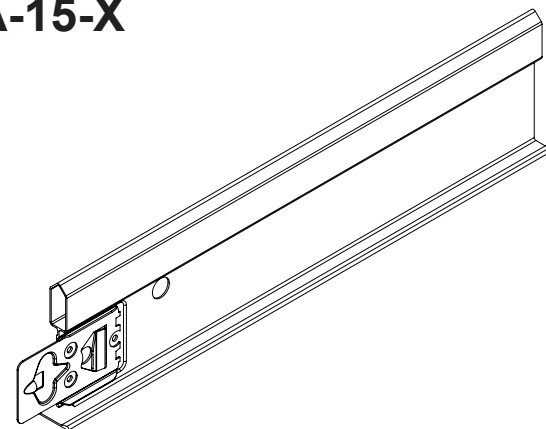
Refer to T-BAR FLEX® product installation instruction for more detailed product information and electrical wiring.

ATTENTION: READ ALL INSTRUCTIONS ENTIRELY BEFORE INSTALLATION

ATTENTION: READ ALL INSTRUCTIONS ENTIRELY BEFORE INSTALLATION

THE ONLY LIGHTING PRODUCTS THAT ARE ENGINEERED AND PATENTED TO REPLACE THE CROSS MEMBERS IN A SUSPENDED GRID CEILING SYSTEM

PERIMETER ACCESSORY
TBFL-PA-15-X



SPECIFICALLY DESIGNED FOR USE WITH 9/16" DesignFlex™ CEILING SYSTEMS WHERE A T-BAR FLEX® PRODUCT INTERSECTS THE PERIMETER

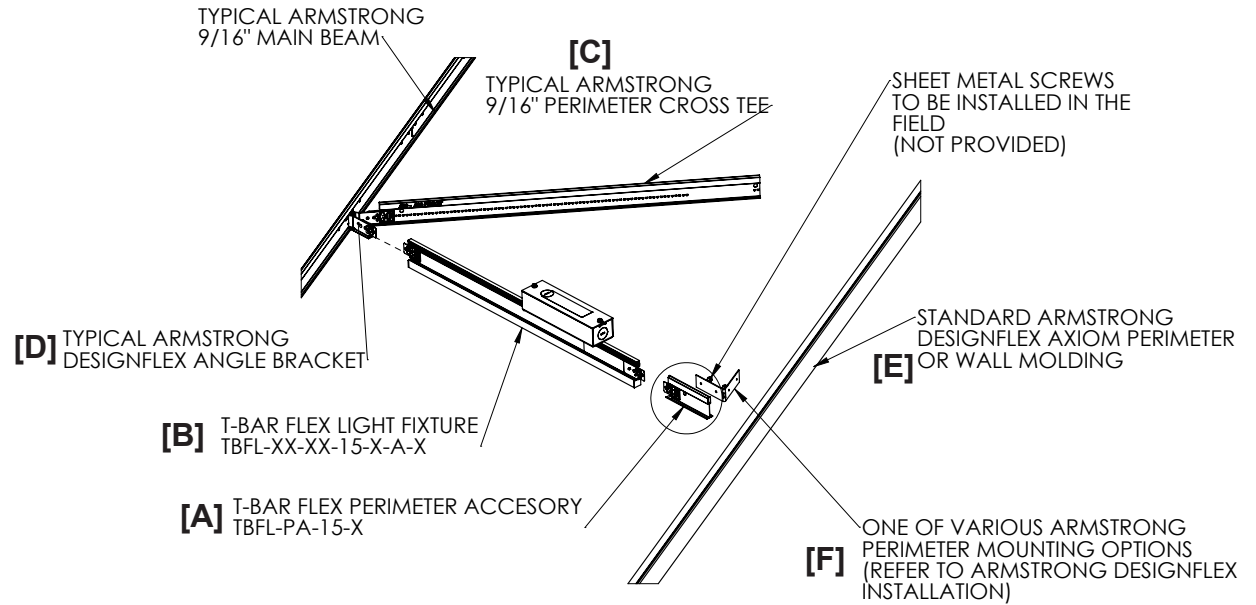
CODE: T-BAR480 T-BAR FLEX Perimeter Accessory Instruction Sheet 9/16" Rev.02

MADE IN USA

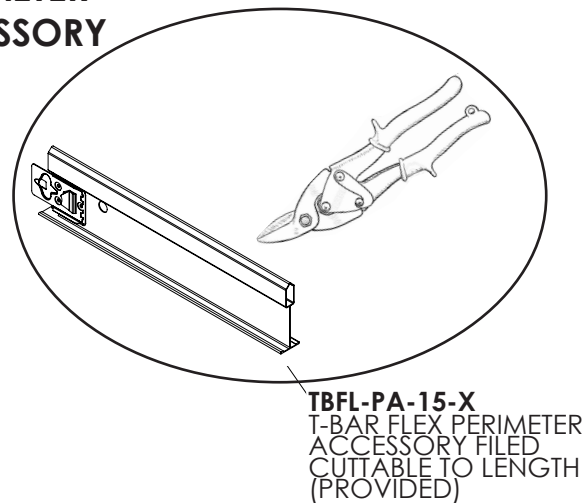
For patent information see www.jlc-tech.com/patents

INSTALLATION INSTRUCTION

1. Locate the location in the DesignFlex™ Ceiling along the perimeter where the T-BAR FLEX® is to be installed according to the light layout.
2. Connect the T-BAR FLEX® Perimeter Accessory [A] to one end of the T-BAR FLEX® light fixture [B] by mating the XM Clip end detail in the same way as the Cross Tees [C] are connected to the DesignFlex angle brackets [D].
3. Holding the T-BAR FLEX® and Perimeter Accessory completed assembly into position, trim the Perimeter Accessory using tin shears so it is the proper length to reach the perimeter.
4. Connect the other end of the T-BAR FLEX® fixture [B] to the appropriate DesignFlex angle bracket [D].
5. Secure the Perimeter Accessory [A] to the perimeter [E] using one of various Armstrong perimeter mounting options [F] (Refer to DesignFlex Installation



TBFL-PA-15-X PERIMETER ACCESSORY



ATTENTION: READ ALL INSTRUCTIONS ENTIRELY BEFORE INSTALLATION

ATTENTION: READ ALL INSTRUCTIONS ENTIRELY BEFORE INSTALLATION