

ATTENTION: READ ALL INSTRUCTIONS ENTIRELY BEFORE INSTALLATION



CAUTION

- \* T-BAR ECO™ DC is designed to work with Class 2 - 24Vdc power supply only. Use of any other power source will cause damage, shorten the life of the fixture and may void the warranty
- \* This fixture must be installed and wired by a qualified electrician.
- \* JLC-Tech LLC will not be held responsible if the fixtures are not installed according to applicable codes and safety standards.
- \* Installation is subject to local code and jurisdiction.
- \* Keep these instructions for the person responsible for the maintenance of this installation.

### Electrical Ratings

Input Voltage: 24V DC

	Watts
TBECODC - 2ft (60cm)	14 Max
TBECODC - 4ft (120cm)	28 Max

Connect up to 12ft (3.6m) of T-BAR ECO DC per power supply.

ETL listed for indoor use

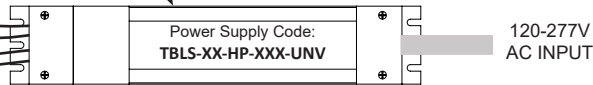


MADE IN USA

For patent information see [www.jlc-tech.com/patents](http://www.jlc-tech.com/patents)

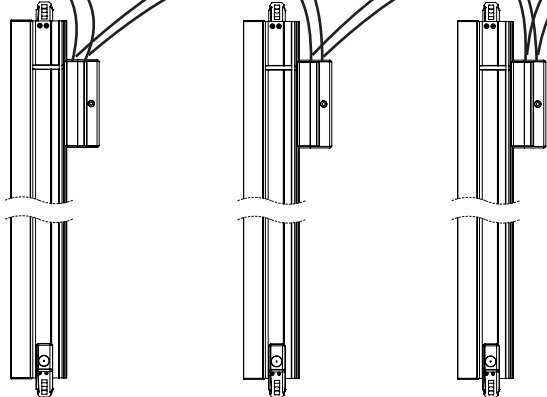
CLASS 2 POWER SUPPLY 120-277V/24Vdc (SOLD SEPARATELY)  
REFER TO DRIVER INSTALLATION FOR SPECIFIC WIRING INSTRUCTIONS

To dimming system (if required)



24Vdc Output  
Red Wire (+)  
Black Wire (-)

To next fixture (12ft or 3.6 meters max)



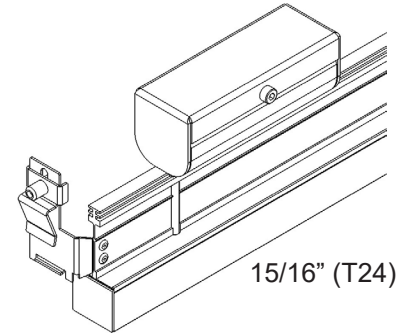
1. REMOVE JUNCTION BOX COVER
2. MAKE WIRING CONNECTIONS USING WIRE NUTS (BY OTHERS) FROM 24V POWER SUPPLY AND/OR NEXT FIXTURE
3. REINSTALL JUNCTION BOX COVER USING PROVIDED SCREWS

### ATTENTION: READ ALL INSTRUCTIONS ENTIRELY BEFORE INSTALLATION

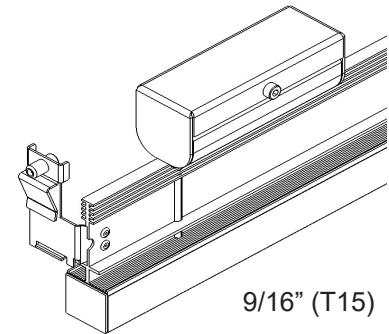
THE ONLY LIGHTING PRODUCTS THAT ARE ENGINEERED AND PATENTED TO REPLACE THE CROSS MEMBERS IN A SUSPENDED GRID CEILING SYSTEM

### FOR MODELS:

- ROUND LENS
- SQUARE LENS



**TBECODC-XX-X-24**  
SPECIFICALLY DESIGNED FOR USE WITH 15/16" (T24) GRID

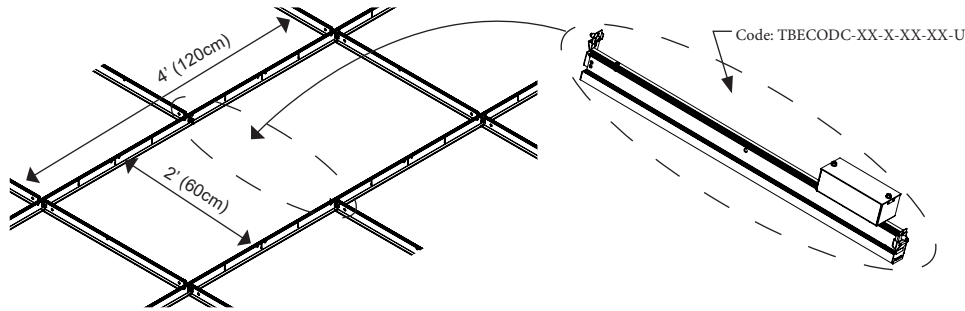


**TBECODC-XX-X-15H/15HB**  
SPECIFICALLY DESIGNED FOR USE WITH 9/16" (T15) GRID

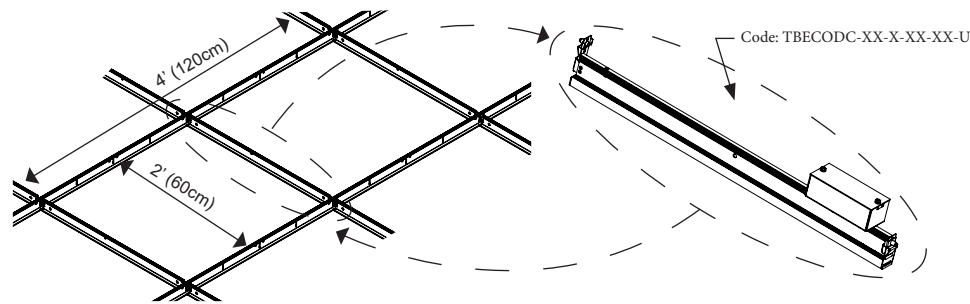
CODE: T-BAR562 T-BAR ECO DC Universal Instruction Sheet 9/16" & 15/16" Rev.04

WHERE I CAN INSTALL THE T-BAR ECO® DC

- IN A NEW 15/16" (T24) OR 9/16" (T15) CEILING INSTALLATION, ORGANIZE THE PLOT TO HAVE A 2' x 4' (60cm x 120cm), OR 4' x 4' (120cm x 120cm) SPACES WHERE THE 2' OR 4' T-BAR ECO® WILL BE INSTALLED (ACCORDING TO THE LIGHT REQUIREMENT)
- INSTALL THE T-BAR ECO® AT THE CENTER OF THE SPACE, CREATING TWO SECTIONS OF 2'x2' (60x60cm) OR 2'x4' (60x120cm) EACH, DEPENDING IF USING A 2' OR 4' T-BAR ECO®

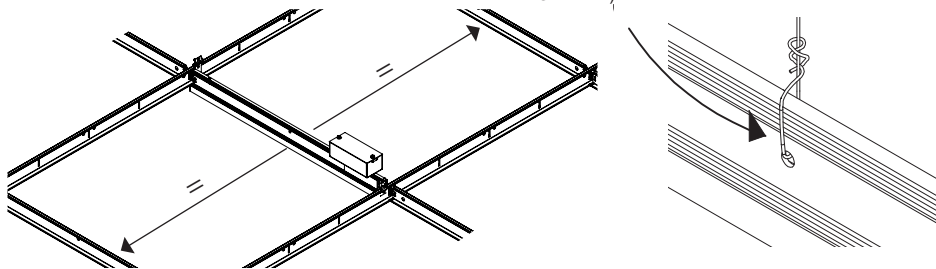


- IN AN EXISTING 15/16" (T24) OR 9/16" (T15) SUSPENDED CEILING, LOCATE THE 2' (60cm) OR 4' (120cm) CROSS TEES THAT ARE INTENDED TO BE SUBSTITUTED WITH THE 2' (60cm) OR 4' (120cm) T-BAR ECO® (ACCORDING TO THE LIGHT REQUIREMENT)
- TEMPORARILY REMOVE THE TILES WITHIN THE SPACE YOU SELECTED
- REMOVE THE 2' (60cm) OR 4' (120cm) CROSS TEE AND REPLACE IT WITH THE 2' (60cm) OR 4' (120cm) T-BAR ECO®
- ONCE PROPERLY INSTALLED, PLACE THE 2'x2' (60x60cm) OR 2'x4' (60x120cm) TILES BACK



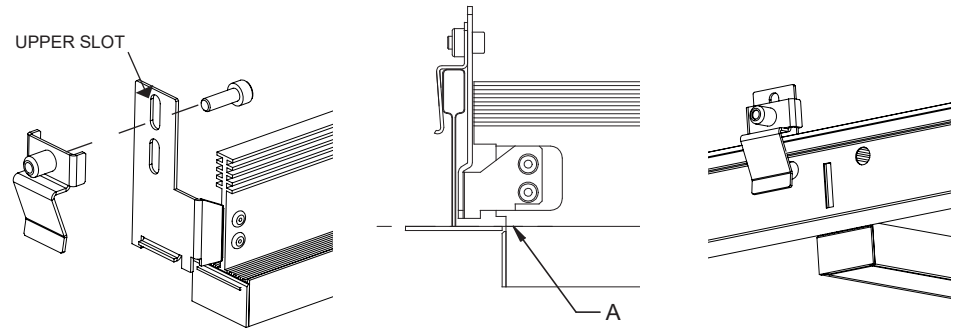
**NOTE:** MAKE SURE THAT THE T-BAR ECO® IS POSITIONED TO ALLOW THE CORRECT PLACING OF THE CORRESPONDENT TILES

T-BAR ECO® MUST BE ANCHORED TO THE ABOVE BUILDING STRUCTURE WITH A STEEL CABLE USING THE CENTER HOLE. (STEEL CABLE BY OTHERS)



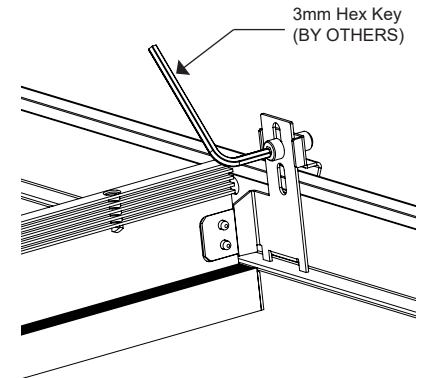
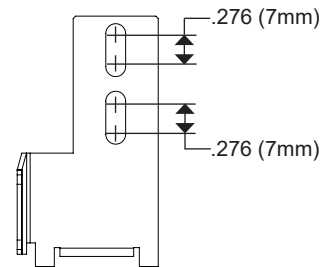
HOW I INSTALL THE T-BAR ECO® DC

- PLACE THE PRODUCT OVER THE GRID FOLLOWING THE BELOW CONFIGURATION.
- MAKE SURE THAT THE UPPER PLANE OF THE T-BAR ECO® IS AT THE SAME PLANE WITH THE UPPER PLANE OF THE GRID AS SHOWN IN DETAIL "A".

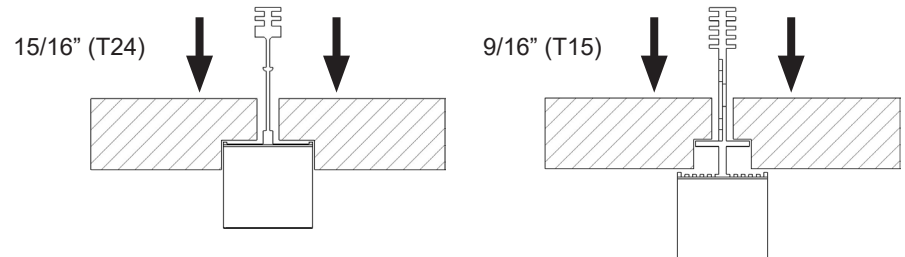


**NOTE:** THE SLOTS ON THE MOUNTING BRACKET ARE DESIGNED TO ACCOMMODATE DIFFERENT GRID HEIGHTS

ONCE THE PRODUCT IS POSITIONED, TIGHTEN THE SCREW ON EACH END



- AFTER YOU HAVE ELECTRIFIED THE SYSTEM (SEE FOLLOWING PAGE FOR INSTRUCTION), YOU CAN INSTALL THE TILES IN THEIR CORRECT POSITION OVER THE T-BAR ECO® PRODUCT



ATTENTION: READ ALL INSTRUCTIONS ENTIRELY BEFORE INSTALLATION

ATTENTION: READ ALL INSTRUCTIONS ENTIRELY BEFORE INSTALLATION