



CAUTION

- \* T-BAR ECO™ DC is designed to work with Class 2 - 24Vdc power supply only. Use of any other power source will cause damage, shorten the life of the fixture and may void the warranty
- \* This fixture must be installed and wired by a qualified electrician.
- \* JLC-Tech LLC will not be held responsible if the fixtures are not installed according to applicable codes and safety standards.
- \* Installation is subject to local code and jurisdiction.
- \* Keep these instructions for the person responsible for the maintenance of this installation.

Electrical Ratings

Input Voltage: 24V DC

	Watts
TBECODC - 2ft (60cm)	14 Max
TBECODC - 4ft (120cm)	28 Max

Connect up to 12ft (3.6m) of T-BAR ECO DC per power supply.

ETL listed for indoor use



MADE IN USA

For patent information see [www.jlc-tech.com/patents](http://www.jlc-tech.com/patents)

CLASS 2 POWER SUPPLY 120-277V/24Vdc (SOLD SEPERATELY) REFER TO DRIVER INSTALLATION FOR SPECIFIC WIRING INSTRUCTIONS

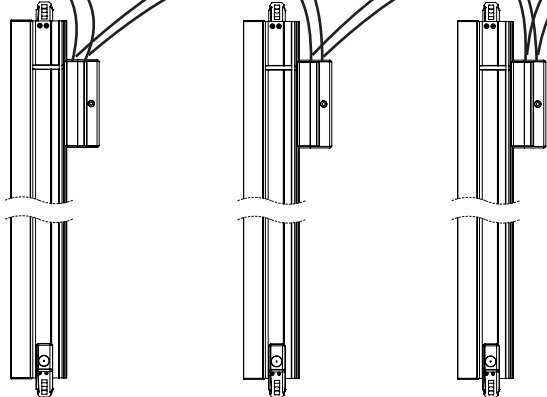
To dimming system (if required)

Power Supply Code: TBLS-XX-HP-XXX-UNV

120-277V AC INPUT

24Vdc Output Red Wire (+) Black Wire (-)

To next fixture (12ft or 3.6 meters max)



1. REMOVE JUNCTION BOX COVER
2. MAKE WIRING CONNECTIONS USING WIRE NUTS (BY OTHERS) FROM 24V POWER SUPPLY AND/OR NEXT FIXTURE
3. REINSTALL JUNCTION BOX COVER USING PROVIDED SCREWS

ATTENTION: READ ALL INSTRUCTIONS ENTIRELY BEFORE INSTALLATION



CEILING SOLUTIONS

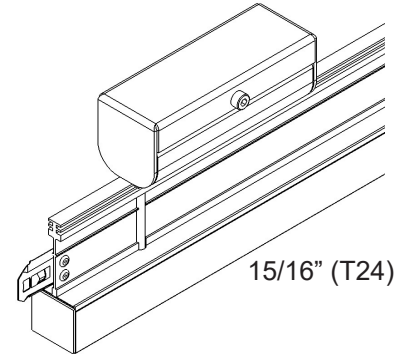
COMPATIBLE PRODUCT

THE ONLY LIGHTING PRODUCTS THAT ARE ENGINEERED AND PATENTED TO REPLACE THE CROSS MEMBERS IN A SUSPENDED GRID CEILING SYSTEM

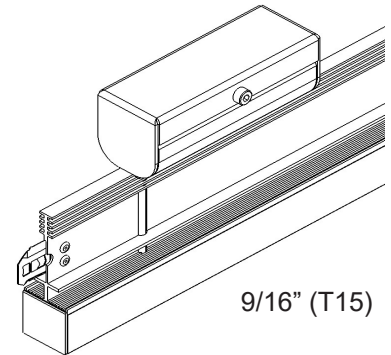
FOR MODELS:

- ROUND LENS
- SQUARE LENS

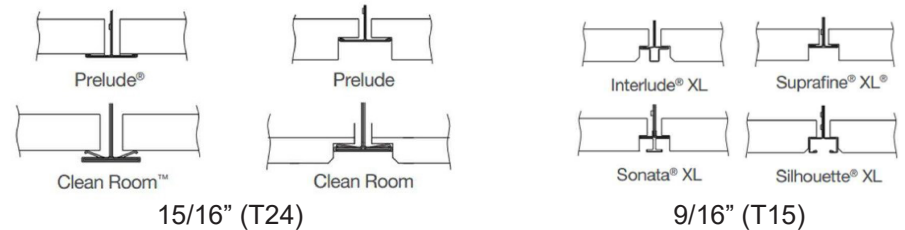
TBECODC-XX-X-24 SPECIFICALLY DESIGNED FOR USE WITH 15/16" (T24) GRID



TBECODC-XX-X-15H/15HB SPECIFICALLY DESIGNED FOR USE WITH 9/16" (T15) GRID



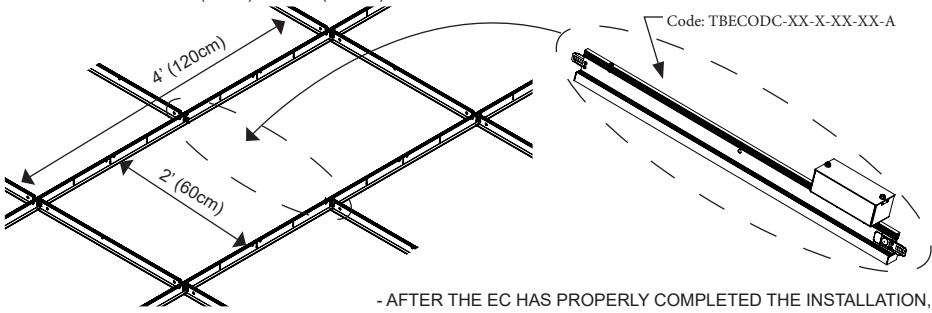
CODE: T-BAR561 T-BAR ECO DC Armstrong Instruction Sheet 9/16" & 15/16" Rev.03



ATTENTION: READ ALL INSTRUCTIONS ENTIRELY BEFORE INSTALLATION

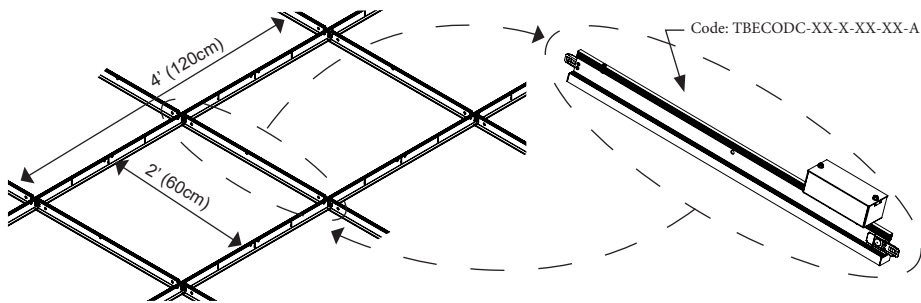
WHERE I CAN INSTALL THE T-BAR ECO® DC

- IN A NEW 15/16" (T24) OR 9/16" (T15) CEILING GRID INSTALLATION, THE ACOUSTICAL CONTRACTOR (AC) WILL INSTALL THE ARMSTRONG CEILING GRID IN A 2' x 2' (60cm x 60cm), 2' x 4' (60cm x 120cm) OR 4' x 4' (120cm x 120cm) LEAVING SPECIFIC OPENINGS FOR THE ELECTRICAL CONTRACTOR (EC), ACCORDING TO THE LIGHT REQUIREMENT
- THE EC WILL INSTALL A 2' (60cm) OR A 4' (120cm) T-BAR ECO® AT THE SPECIFIC OPENING IN THE CEILING



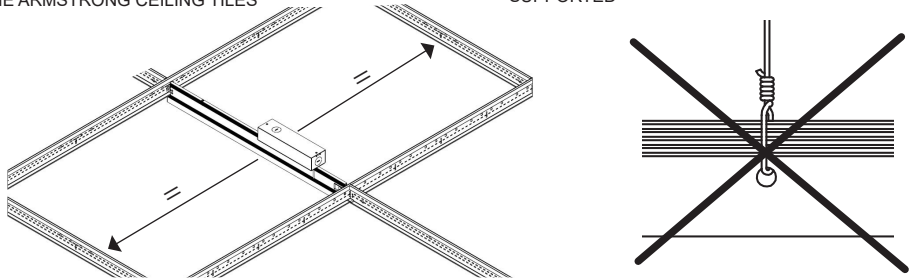
- AFTER THE EC HAS PROPERLY COMPLETED THE INSTALLATION, THE AC WILL FINISH THE CEILING WITH APPROPRIATE SIZE CEILING TILES

- IN AN EXISTING SUSPENDED 15/16" (T24) OR 9/16" (T15) GRID, VERIFY THE EXISTING CEILING IS AN ARMSTRONG CEILING, THEN LOCATE THE CROSS TEES THAT ARE INTENDED TO BE SUBSTITUTED WITH THE 2' (60cm) OR 4' (120cm) T-BAR ECO® (ACCORDING TO THE LIGHT REQUIREMENT)
- THE AC SHALL TEMPORARILY REMOVE THE TILES WITHIN THE SPACE SELECTED AND REMOVE THE CROSS TEES
- THE EC SHALL THEN INSTALL THE 2' (60cm) OR 4' (120cm) T-BAR ECO® IN THIS DESIRED LOCATION
- AFTER THE EC HAS PROPERLY COMPLETED THE INSTALLATION, THE AC WILL REINSTALL THE EXISTING OR REPLACEMENT CEILING TILES



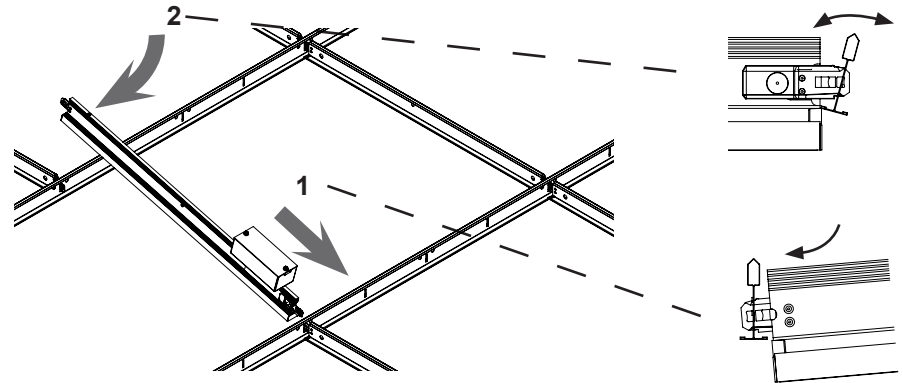
**NOTE:** WHEN CORRECTLY INSTALLED THE END DETAILS WILL ENSURE THE T-BAR ECO® IS POSITIONED CORRECTLY ALLOWING FOR THE CORRECT SPACING OF THE ARMSTRONG CEILING TILES

**NOTE:** THE T-BAR ECO® HAS BEEN SEISMICALLY TESTED FOR USE WITH ARMSTRONG CEILINGS AND **DOES NOT NEED** TO BE INDEPENDENTLY SUPPORTED



HOW I INSTALL THE T-BAR ECO® DC

- PLACE THE PRODUCT OVER THE GRID FOLLOWING THE BELOW CONFIGURATION. ENTER ONE CLIP INSIDE THE DESIRED ROUT LOCATION (1).
- ENTER THE OTHER CLIP ON THE OTHER SIDE INSIDE THE CORRESPONDING ROUT LOCATION BY TWISTING THE GRID AND APPLYING ENOUGH PRESSURE TO ALLOW THE PRODUCT TO ENTER IN PLACE (2).



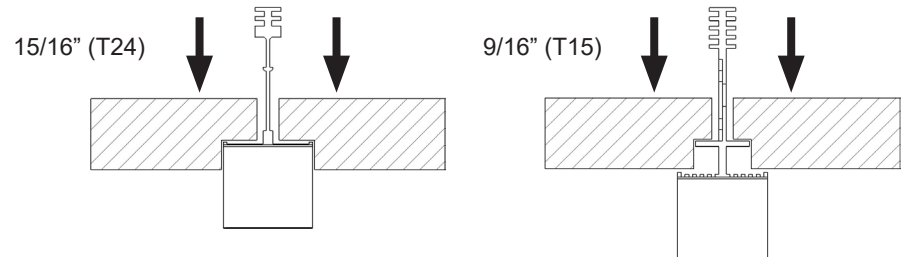
- DETAILED SIDE AND TOP VIEW OF TWO T-BAR ECO® CONNECTED TOGETHER. THE MOUNTING CLIP IS DESIGNED TO CONNECT SIDE BY SIDE WITH ANOTHER T-BAR ECO® OR WITH A STANDARD ARMSTRONG CROSS TEE

**!** ARMSTRONG CLIP INSTALLED TO THE RIGHT SIDE OF INTERSECTING CLIP



- AFTER THE EC HAS ELECTRIFIED THE T-BAR ECO® (SEE FOLLOWING PAGE FOR INSTRUCTION), THE AC CAN INSTALL THE ARMSTRONG CEILING TILES IN THEIR CORRECT POSITION OVER THE T-BAR ECO® PRODUCT AS SHOWN

**NOTE:** ONLY REGULAR AND LAY IN CEILING TILES MAY BE USED WITH THE T-BAR ECO®



ATTENTION: READ ALL INSTRUCTIONS ENTIRELY BEFORE INSTALLATION

ATTENTION: READ ALL INSTRUCTIONS ENTIRELY BEFORE INSTALLATION