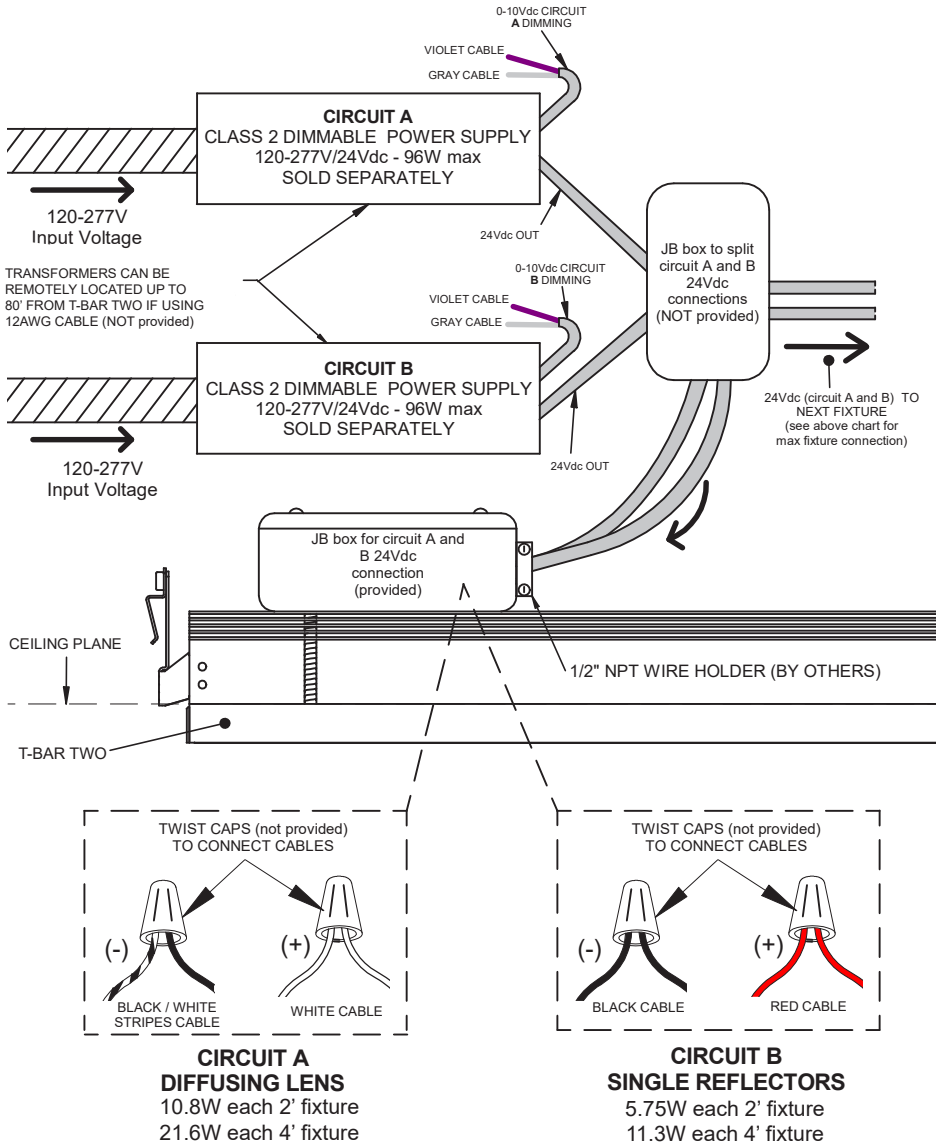


**HOW TO ELECTRIFY THE T-BAR TWO**

Max Run Lengths

	Circuit A Wattage	# Fixture/Driver A	Circuit B Wattage	# Fixture/Driver B
2ft fixture	10.8W	8	5.75W	8
4ft fixture	21.6W	4	11.3W	4

ATTENTION: READ ALL INSTRUCTIONS ENTIRELY BEFORE INSTALLATION



ATTENTION: READ ALL INSTRUCTIONS ENTIRELY BEFORE INSTALLATION

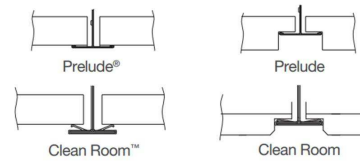
**ATTENTION: READ ALL INSTRUCTIONS ENTIRELY BEFORE INSTALLATION**



CEILING SOLUTIONS

COMPATIBLE PRODUCT

SPECIFICALLY DESIGNED FOR USE WITH ARMSTRONG 15/16" GRID



THE NEXT GENERATION GREEN LIGHTING SOLUTION FOR SUSPENDED CEILING APPLICATIONS

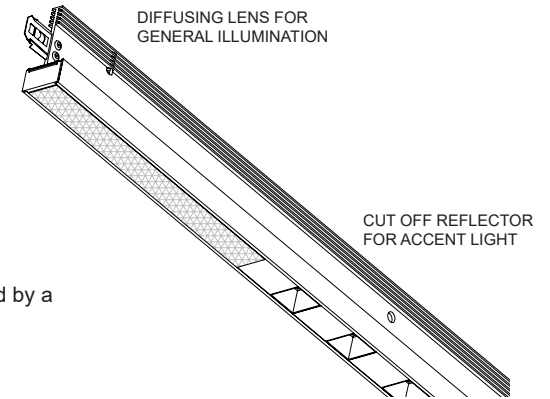
**CAUTION:**

This fixture must be installed and wired by a licensed electrician.

JLC-Tech LLC will not be held responsible if the fixtures are not installed according to applicable codes and safety standards

Installation is subject to local code and jurisdiction

Keep these instructions for the person responsible for the maintenance of this installation.

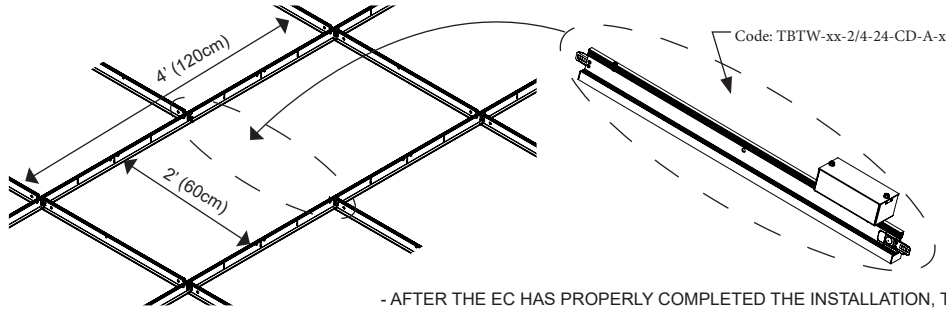


The T-BAR LED product line is protected under the following patents:  
Patent No. 8,177,385; 9,879,850; 004481000-0001; 004481000-0002.  
Additional patents are pending.

MADE IN USA

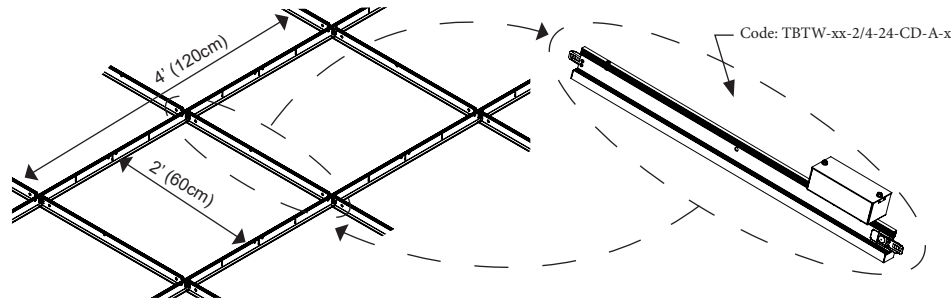
**WHERE I CAN INSTALL THE T-BAR LED Smartlight™**

- IN A NEW 15/16" (T24) CEILING GRID INSTALLATION, THE ACOUSTICAL CONTRACTOR (AC) WILL INSTALL THE ARMSTRONG CEILING GRID IN A 2'x2' (60X60cm), 2'x4' (60X120cm) OR 4'x4' (120X120cm) LEAVING SPECIFIC OPENINGS FOR THE ELECTRICAL CONTRACTOR (EC), ACCORDING TO THE LIGHT REQUIREMENT
- THE EC WILL INSTALL A 2' (60cm) OR A 4' (120cm) T-BAR LED Smartlight™ AT THE SPECIFIC OPENING IN THE CEILING



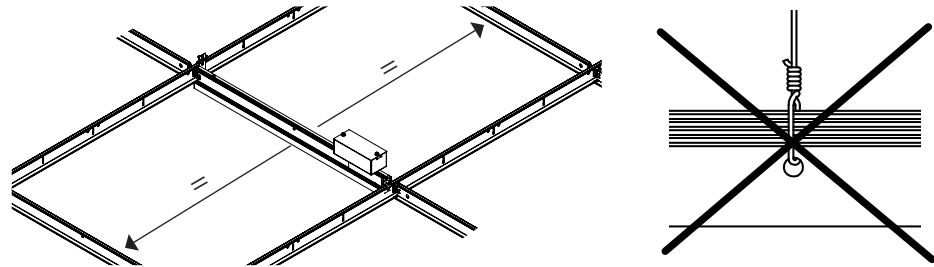
- AFTER THE EC HAS PROPERLY COMPLETED THE INSTALLATION, THE AC WILL FINISH THE CEILING WITH APPROPRIATE SIZE CEILING TILES

- IN AN EXISTING SUSPENDED 15/16" (T24) GRID, VERIFY THE EXISTING CEILING IS AN ARMSTRONG CEILING, THEN LOCATE THE CROSS TEES THAT ARE INTENDED TO BE SUBSTITUTED WITH THE 2' (60cm) OR 4' (120cm) T-BAR LED Smartlight™ (ACCORDING TO THE LIGHT REQUIREMENT)
- THE AC SHALL TEMPORARILY REMOVE THE TILES WITHIN THE SPACE SELECTED AND REMOVE THE CROSS TEES
- THE EC SHALL THEN INSTALL THE 2' (60cm) OR 4' (120cm) T-BAR LED Smartlight™ IN THIS DESIRED LOCATION
- AFTER THE EC HAS PROPERLY COMPLETED THE INSTALLATION, THE AC WILL REINSTALL THE EXISTING OR REPLACEMENT CEILING TILES



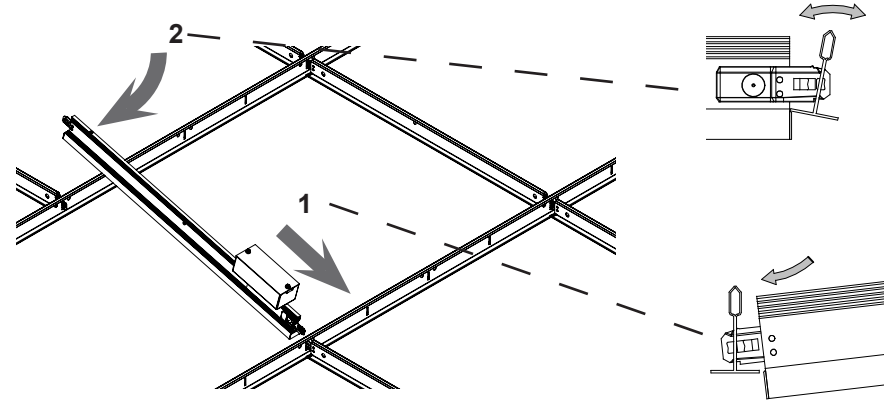
**NOTE:** WHEN CORRECTLY INSTALLED THE END DETAILS WILL ENSURE THE T-BAR LED Smartlight™ IS POSITIONED CORRECTLY ALLOWING FOR THE CORRECT SPACING OF THE ARMSTRONG CEILING TILES

**NOTE:** THE T-BAR LED Smartlight™ HAS BEEN SEISMICALLY TESTED FOR USE WITH ARMSTRONG CEILINGS AND **DOES NOT NEED TO** BE INDEPENDENTLY SUPPORTED

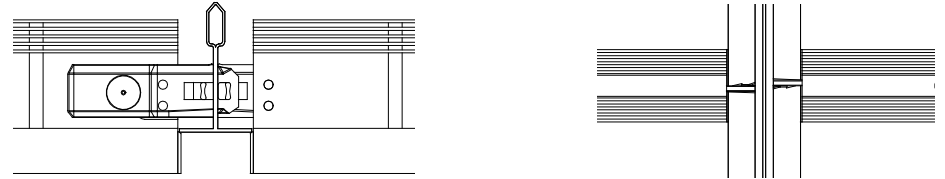


**HOW I INSTALL THE T-BAR LED Smartlight™**

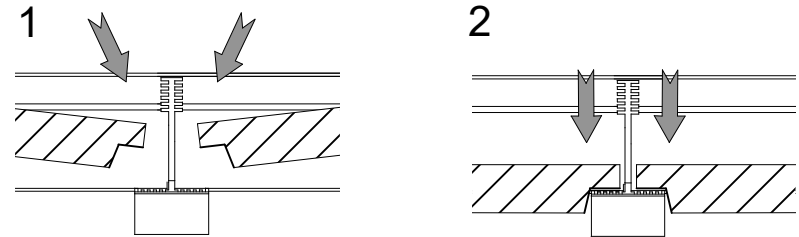
- PLACE THE PRODUCT OVER THE GRID FOLLOWING THE BELOW CONFIGURATION. ENTER ONE CLIP INSIDE THE DESIRED ROUT LOCATION (1).
- ENTER THE OTHER CLIP ON THE OTHER SIDE INSIDE THE CORRESPONDING ROUT LOCATION BY TWISTING THE GRID AND APPLYING ENOUGH PRESSURE TO ALLOW THE PRODUCT TO ENTER IN PLACE (2).



- DETAILED SIDE AND TOP VIEW OF TWO T-BAR LED Smartlight™ CONNECTED TOGETHER. THE MOUNTING CLIP IS DESIGNED TO CONNECT SIDE BY SIDE WITH ANOTHER T-BAR LED Smartlight™ OR WITH A STANDARD ARMSTRONG CROSS TEE



- AFTER THE EC HAS ELECTRIFIED THE T-BAR LED Smartlight™ (SEE FOLLOWING PAGE FOR INSTRUCTION), THE AC CAN INSTALL THE ARMSTRONG CEILING TILES IN THEIR CORRECT POSITION OVER THE T-BAR LED Smartlight™ PRODUCT AS SHOWN
- NOTE:** ONLY TEGULAR AND LAY IN CEILING TILES MAY BE USED WITH THE T-BAR LED Smartlight™



ATTENTION: READ ALL INSTRUCTIONS ENTIRELY BEFORE INSTALLATION

ATTENTION: READ ALL INSTRUCTIONS ENTIRELY BEFORE INSTALLATION