

HOW TO ELECTRIFY AND CONTROL THE T-BAR RGBW

MAX 6FT OF T-BAR RGBW PRODUCT PER POWER SUPPLY

ATTENTION: READ ALL INSTRUCTIONS ENTIRELY BEFORE INSTALLATION



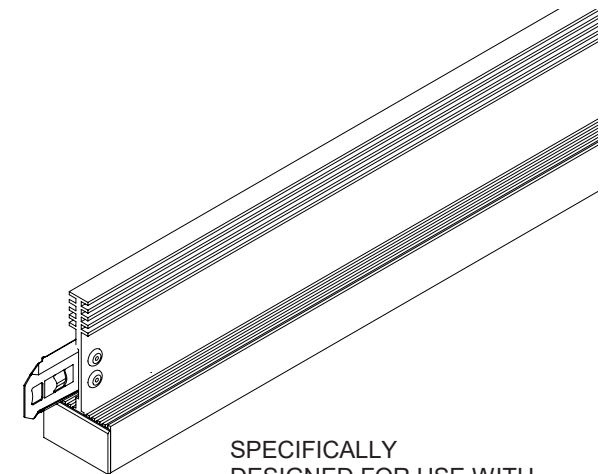
THE NEXT GENERATION GREEN LIGHTING SOLUTION FOR SUSPENDED CEILING APPLICATIONS

ATTENTION: READ ALL INSTRUCTIONS ENTIRELY BEFORE INSTALLATION

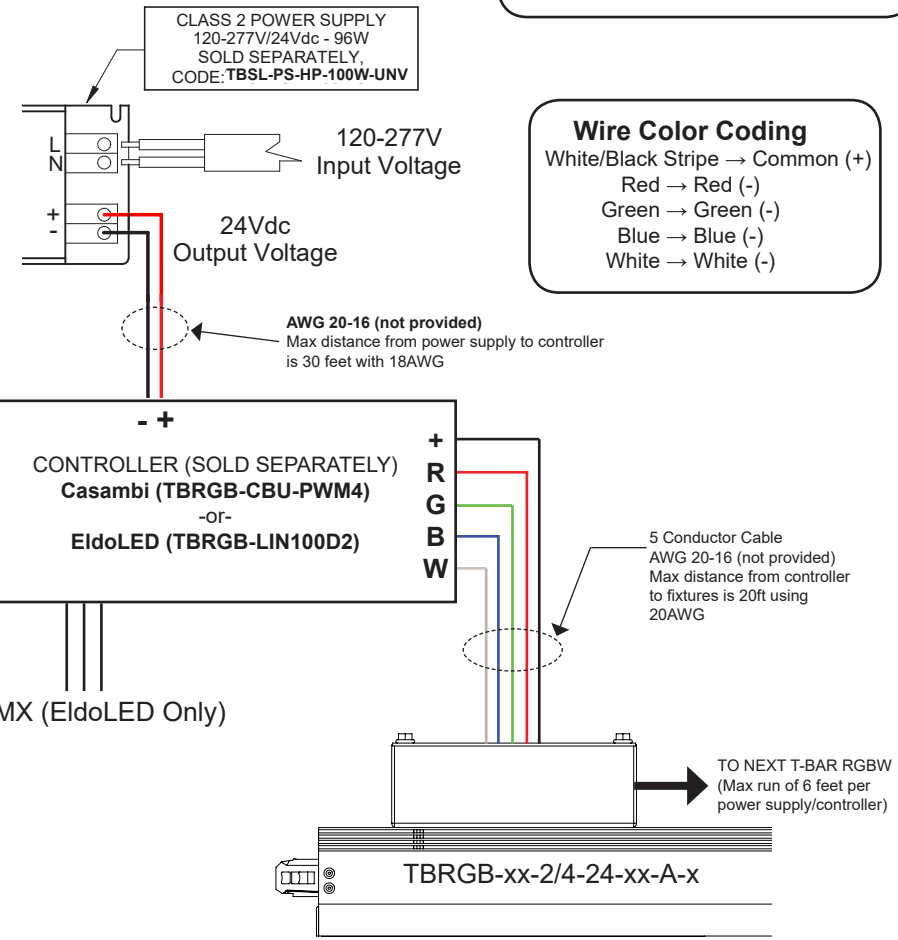
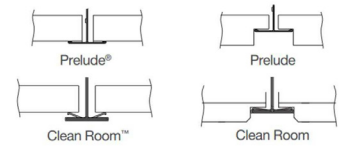
ATTENTION: READ ALL INSTRUCTIONS ENTIRELY BEFORE INSTALLATION

FOR MODELS:

- BLOCK LENS
- ASYMMETRIC
- SIGNAGE



SPECIFICALLY DESIGNED FOR USE WITH ARMSTRONG 15/16" GRID



REFER TO CONTROLLER MANUFACTURER FOR SPECIFIC OPERATING INSTRUCTIONS
Casambi CBU PWM4:
www.casambi.com/products/CBU-PWM4.html
EldoLED LinearDrive100:
www.eldoled.com/led-drivers/lineardrive/4-24-amps-constant-voltage-led-drivers/dc-100d/

CAUTION:
This fixture must be installed and wired by a licensed electrician.

JLC-Tech LLC will not be held responsible if the fixtures are not installed according to applicable codes and safety standards

Installation is subject to local code and jurisdiction

Keep these instructions for the person responsible for the maintenance of this installation.

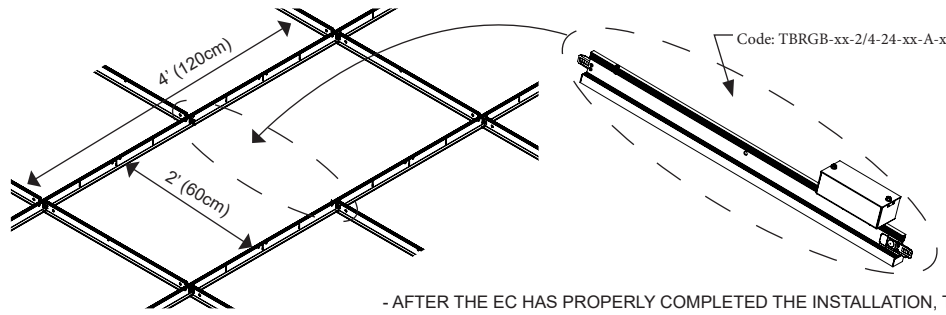
The T-BAR LED product line is protected under the following patents:
 Patent No. 8,177,385; 9,879,850; 004481000-0001; 004481000-0002.
 Additional patents are pending.



MADE IN USA

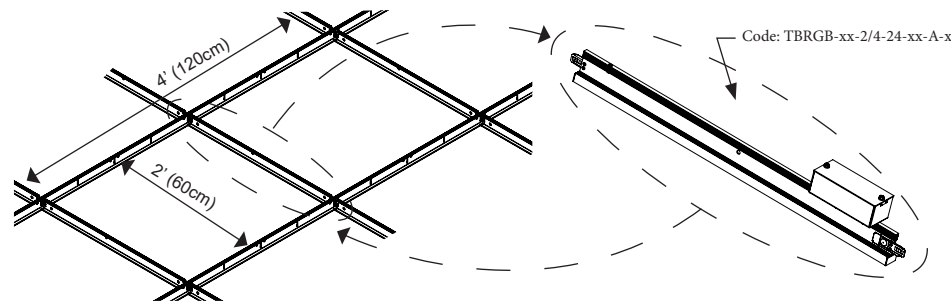
WHERE I CAN INSTALL THE T-BAR RGBW™

- IN A NEW 15/16" (T24) CEILING GRID INSTALLATION, THE ACOUSTICAL CONTRACTOR (AC) WILL INSTALL THE ARMSTRONG CEILING GRID IN A 2'x2' (60X60cm), 2'x4' (60X120cm) OR 4'x4' (120X120cm) LEAVING SPECIFIC OPENINGS FOR THE ELECTRICAL CONTRACTOR (EC), ACCORDING TO THE LIGHT REQUIREMENT
- THE EC WILL INSTALL A 2' (60cm) OR A 4' (120cm) T-BAR RGBW™ AT THE SPECIFIC OPENING IN THE CEILING



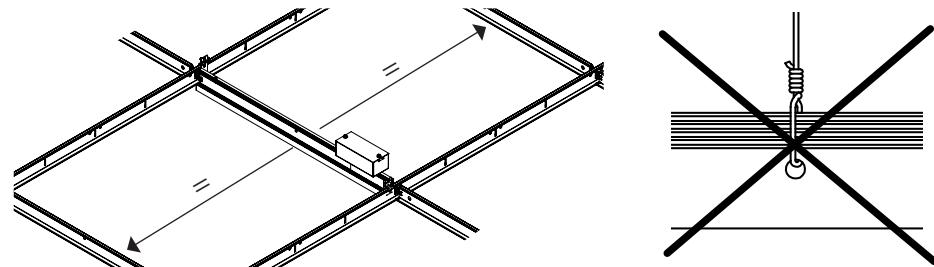
- AFTER THE EC HAS PROPERLY COMPLETED THE INSTALLATION, THE AC WILL FINISH THE CEILING WITH APPROPRIATE SIZE CEILING TILES

- IN AN EXISTING SUSPENDED 15/16" (T24) GRID, VERIFY THE **EXISTING CEILING IS AN ARMSTRONG CEILING**, THEN LOCATE THE CROSS TEES THAT ARE INTENDED TO BE SUBSTITUTED WITH THE 2' (60cm) OR 4' (120cm) T-BAR RGBW™ (ACCORDING TO THE LIGHT REQUIREMENT)
- THE AC SHALL TEMPORARILY REMOVE THE TILES WITHIN THE SPACE SELECTED AND REMOVE THE CROSS TEES
- THE EC SHALL THEN INSTALL THE 2' (60cm) OR 4' (120cm) T-BAR RGBW™ IN THIS DESIRED LOCATION
- AFTER THE EC HAS PROPERLY COMPLETED THE INSTALLATION, THE AC WILL REINSTALL THE EXISTING OR REPLACEMENT CEILING TILES



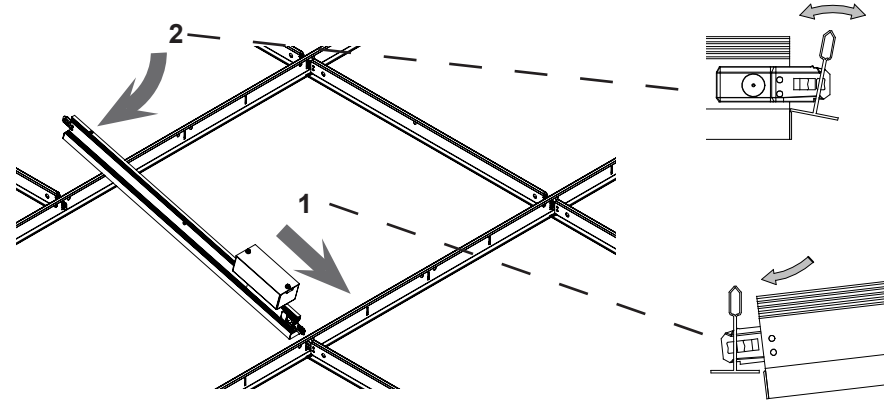
NOTE: WHEN CORRECTLY INSTALLED THE END DETAILS WILL ENSURE THE T-BAR RGBW™ IS POSITIONED CORRECTLY ALLOWING FOR THE CORRECT SPACING OF THE ARMSTRONG CEILING TILES

NOTE: THE T-BAR RGBW™ HAS BEEN SEISMICALLY TESTED FOR USE WITH ARMSTRONG CEILINGS AND **DOES NOT NEED TO BE** INDEPENDENTLY SUPPORTED

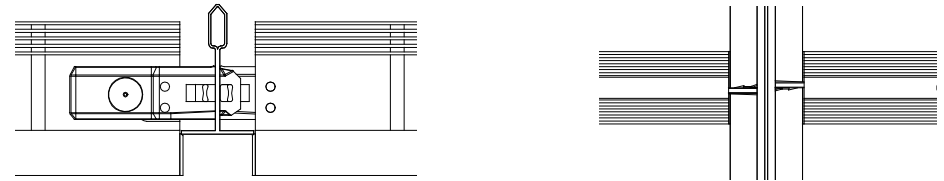


HOW I INSTALL THE T-BAR RGBW™

- PLACE THE PRODUCT OVER THE GRID FOLLOWING THE BELOW CONFIGURATION. ENTER ONE CLIP INSIDE THE DESIRED ROUT LOCATION (1).
- ENTER THE OTHER CLIP ON THE OTHER SIDE INSIDE THE CORRESPONDING ROUT LOCATION BY TWISTING THE GRID AND APPLYING ENOUGH PRESSURE TO ALLOW THE PRODUCT TO ENTER IN PLACE (2).

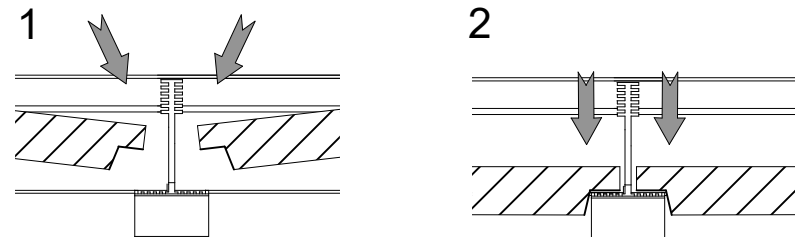


- DETAILED SIDE AND TOP VIEW OF TWO T-BAR RGBW™ CONNECTED TOGETHER. THE MOUNTING CLIP IS DESIGNED TO CONNECT SIDE BY SIDE WITH ANOTHER T-BAR RGBW™ OR WITH A STANDARD ARMSTRONG CROSS TEE



- AFTER THE EC HAS ELECTRIFIED THE T-BAR RGBW™ (SEE FOLLOWING PAGE FOR INSTRUCTION), THE AC CAN INSTALL THE ARMSTRONG CEILING TILES IN THEIR CORRECT POSITION OVER THE T-BAR RGBW™ PRODUCT AS SHOWN

NOTE: ONLY TEGULAR AND LAY IN CEILING TILES MAY BE USED WITH THE T-BAR RGBW™



ATTENTION: READ ALL INSTRUCTIONS ENTIRELY BEFORE INSTALLATION

ATTENTION: READ ALL INSTRUCTIONS ENTIRELY BEFORE INSTALLATION