

ETL listed for indoor use

**CAUTION:**

\* T-BAR LED is designed to work with Class 2 - 24Vdc power supply only. Use of any other power source will cause damage, shorten the life of the fixture and may void the warranty

\*This fixture must be installed and wired by a qualified electrician.

\*JLC-Tech LLC will not be held responsible if the fixtures are not installed according to applicable codes and safety standards.

\*Installation is subject to local code and jurisdiction.

\*Keep these instructions for the person responsible for the maintenance of this installation.

	Number of fixtures	MODEL	Number of fixtures	MODEL
Option 1 Total load* 96W	6	HIGH POWER 2 foot / 60cm Total W/fixture 16W	/	/
Option 2 Total load* 96W	4	HIGH POWER 2 foot / 60cm Total W/fixture 16W	1	HIGH POWER 4 foot / 120cm Total W/fixture 32W
Option 3 Total load* 96W	3	HIGH POWER 4 foot / 120cm Total W/fixture 32W	/	/
Option 4 Total load* 96W	2	HIGH POWER 4 foot / 120cm Total W/fixture 32W	2	HIGH POWER 2 foot / 60cm Total W/fixture 16W

\* Total load does not include power supply consumption

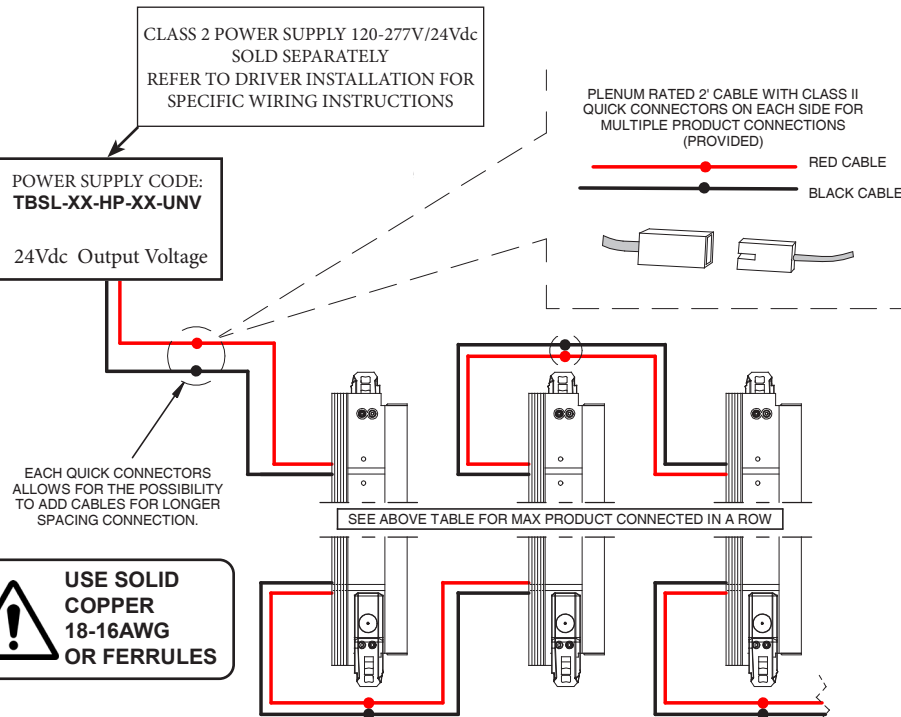


RoHS



MADE IN USA

**HOW TO ELECTRIFY THE T-BAR LED**



ATTENTION! READ ALL INSTRUCTIONS ENTIRELY BEFORE INSTALLATION

ATTENTION! READ ALL INSTRUCTIONS ENTIRELY BEFORE INSTALLATION

ATTENTION: READ ALL INSTRUCTIONS ENTIRELY BEFORE INSTALLATION



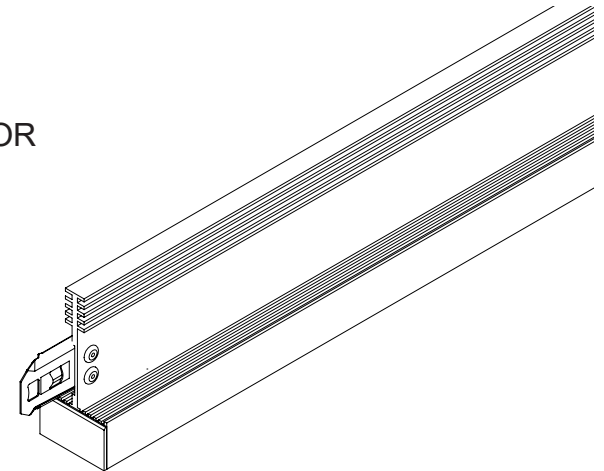
CEILING SOLUTIONS

COMPATIBLE PRODUCT

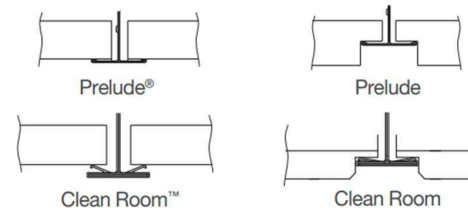
THE NEXT  
GENERATION GREEN  
LIGHTING SOLUTION  
FOR SUSPENDED  
CEILING  
APPLICATIONS

**FOR MODELS:**

- DIFFUSING LENS
- BLOCK LENS
- ASYMMETRIC
- CUT-OFF REFLECTOR
- SIGNAGE



SPECIFICALLY DESIGNED FOR USE  
WITH ARMSTRONG 15/16" (T24) GRID

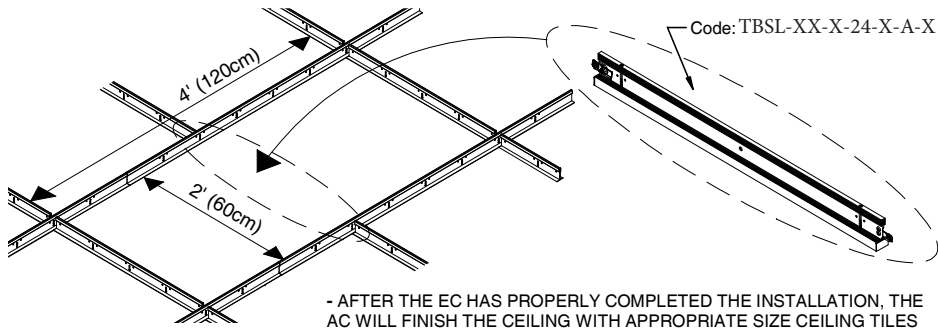


For patent information see [www.jlc-tech.com/patents](http://www.jlc-tech.com/patents)

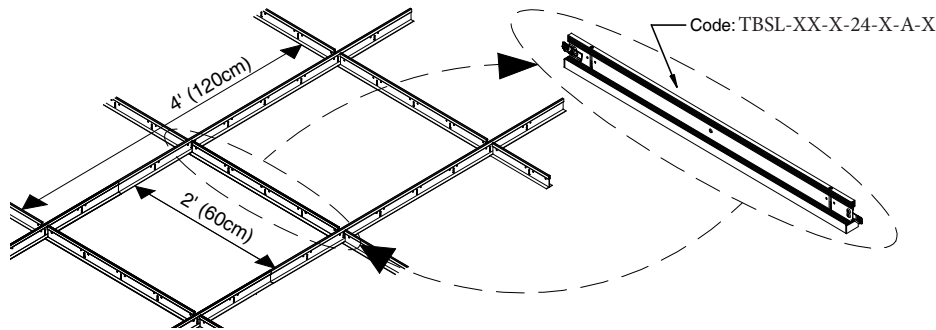
CODE: T-BAR033 T-BAR LED Instruction Sheet 15/16" Armstrong TBSLHX24AX Rev.06

**WHERE I CAN INSTALL THE T-BAR LED**

- IN A NEW 15/16" (T24) CEILING GRID INSTALLATION, THE ACOUSTICAL CONTRACTOR (AC) WILL INSTALL THE ARMSTRONG CEILING GRID IN A 2'x2' (60X60cm), 2'x4' (60X120cm) OR 4'x4' (120X120cm) LEAVING SPECIFIC OPENINGS FOR THE ELECTRICAL CONTRACTOR (EC), ACCORDING TO THE LIGHT REQUIREMENT
- THE EC WILL INSTALL A 2' (60cm) OR A 4' (120cm) T-BAR LED AT THE SPECIFIC OPENING IN THE CEILING

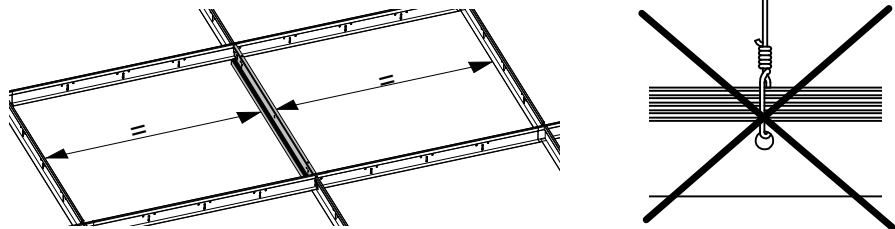


- IN AN EXISTING SUSPENDED 15/16" (T24) GRID, VERIFY THE **EXISTING CEILING IS AN ARMSTRONG CEILING**, THEN LOCATE THE CROSS TEES THAT ARE INTENDED TO BE SUBSTITUTED WITH THE 2' (60cm) OR 4' (120cm) T-BAR LED (ACCORDING TO THE LIGHT REQUIREMENT)
- THE AC SHALL TEMPORARILY REMOVE THE TILES WITHIN THE SPACE SELECTED AND REMOVE THE CROSS TEES
- THE EC SHALL THEN INSTALL THE 2' (60cm) OR 4' (120cm) T-BAR LED IN THIS DESIRED LOCATION
- AFTER THE EC HAS PROPERLY COMPLETED THE INSTALLATION, THE AC WILL REINSTALL THE EXISTING OR REPLACEMENT CEILING TILES



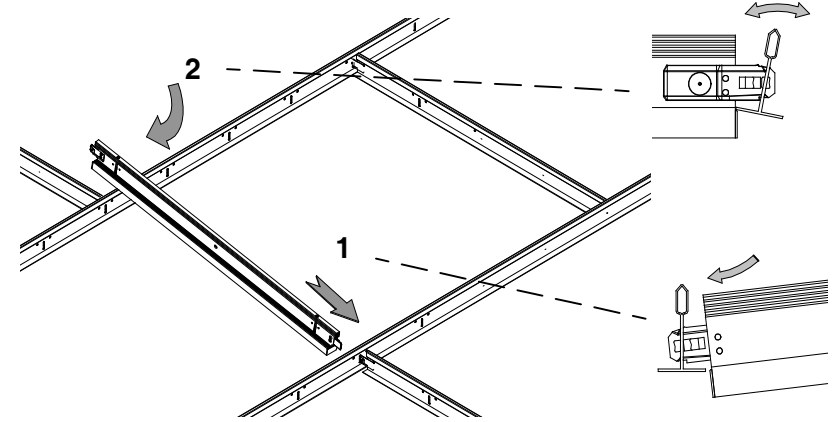
**NOTE:** WHEN CORRECTLY INSTALLED THE END DETAILS WILL ENSURE THE T-BAR LED IS POSITIONED CORRECTLY ALLOWING FOR THE CORRECT SPACING OF THE ARMSTRONG CEILING TILES

**NOTE:** THE T-BAR LED HAS BEEN SEISMICALLY TESTED FOR USE WITH ARMSTRONG CEILINGS AND **DOES NOT NEED** TO BE INDEPENDENTLY SUPPORTED

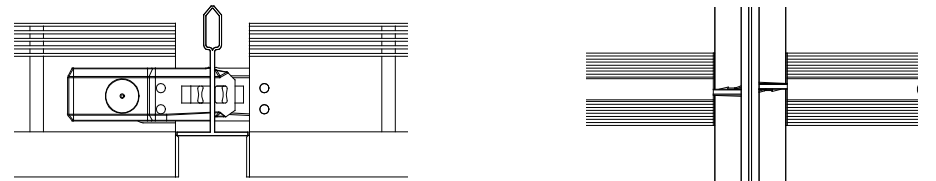


**HOW I INSTALL THE T-BAR LED**

- PLACE THE PRODUCT OVER THE GRID FOLLOWING THE BELOW CONFIGURATION. ENTER ONE CLIP INSIDE THE DESIRED ROUT LOCATION (1).
- ENTER THE OTHER CLIP ON THE OTHER SIDE INSIDE THE CORRESPONDING ROUT LOCATION BY TWISTING THE GRID AND APPLYING ENOUGH PRESSURE TO ALLOW THE PRODUCT TO ENTER IN PLACE (2).

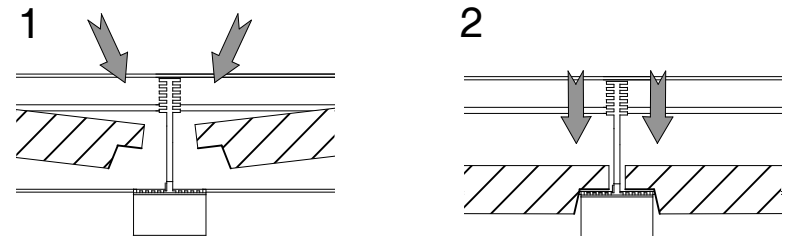


- DETAILED SIDE AND TOP VIEW OF TWO T-BAR LED CONNECTED TOGETHER. THE MOUNTING CLIP IS DESIGNED TO CONNECT SIDE BY SIDE WITH ANOTHER T-BAR LED OR WITH A STANDARD ARMSTRONG CROSS TEE



- AFTER THE EC HAS ELECTRIFIED THE T-BAR LED (SEE FOLLOWING PAGE FOR INSTRUCTION), THE AC CAN INSTALL THE ARMSTRONG CEILING TILES IN THEIR CORRECT POSITION OVER THE T-BAR LED PRODUCT AS SHOWN

**NOTE:** ONLY REGULAR AND LAY IN CEILING TILES MAY BE USED WITH THE T-BAR LED



ATTENTION! READ ALL INSTRUCTIONS ENTIRELY BEFORE INSTALLATION

ATTENTION! READ ALL INSTRUCTIONS ENTIRELY BEFORE INSTALLATION