



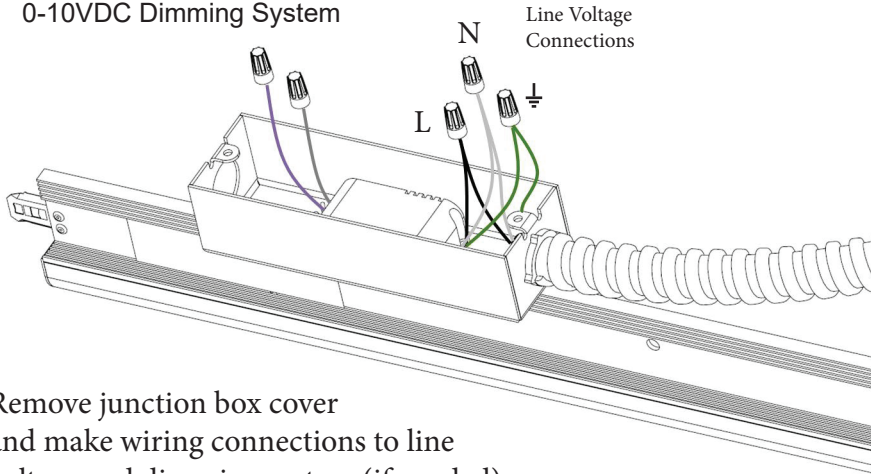
This fixture must be installed and wired by a licensed electrician.

JLC-Tech LLC will not be held responsible if the fixtures are not installed according to applicable codes and safety standards

Installation is subject to local code and jurisdiction

Keep these instructions for the person responsible for the maintenance of this installation.

Purple and Pink(or gray) to 0-10VDC Dimming System



Remove junction box cover and make wiring connections to line voltage and dimming system (if needed). Replace cover when complete.

Electrical Ratings

Input Voltage: 120-277V, 50/60Hz

	Amps	Watts
TBECOH - 2ft	0.08	9.5
TBECOH - 4ft	0.16	17.9
TBECOL - 2ft	0.06	6.4
TBECOL - 4ft	0.11	12.5

ETL Listed for Indoor Use

ATTENTION: READ ALL INSTRUCTIONS ENTIRELY BEFORE INSTALLATION

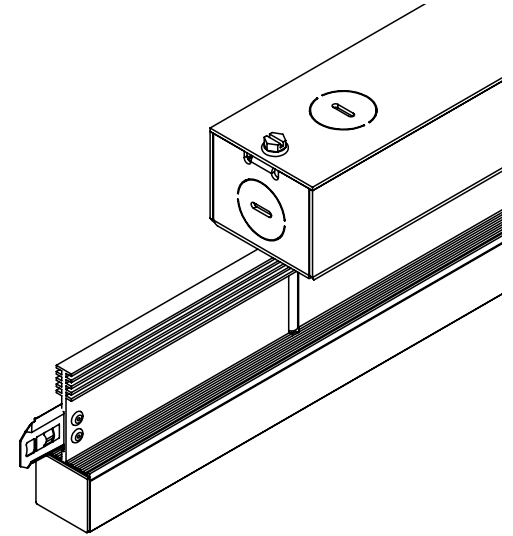
ATTENTION: READ ALL INSTRUCTIONS ENTIRELY BEFORE INSTALLATION



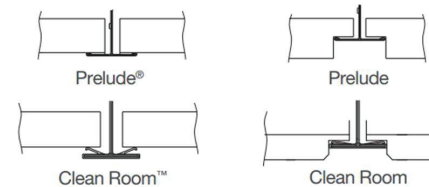
THE ONLY LIGHTING PRODUCTS THAT ARE ENGINEERED AND PATENTED TO REPLACE THE CROSS MEMBERS IN A SUSPENDED GRID CEILING SYSTEM.

FOR MODELS:

- ROUND LENS
- SQUARE LENS



SPECIFICALLY DESIGNED FOR USE WITH ARMSTRONG 15/16" GRID



RoHS

For patent information see: www.jlc-tech.com/patents

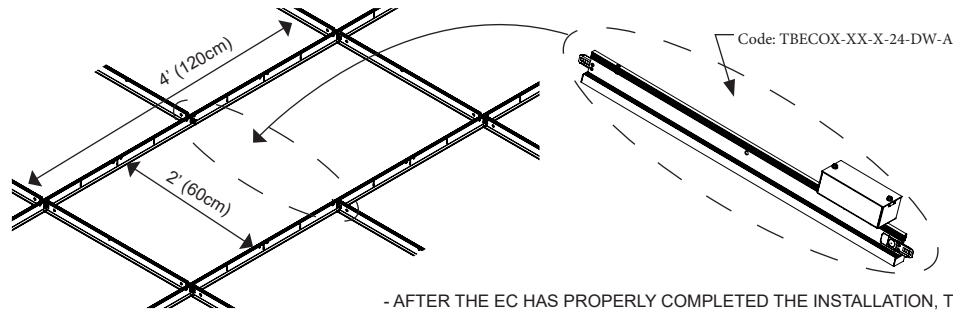
MADE IN USA

CODE: T-BAR323 T-BAR ECO Armstrong Instruction Sheet 15/16" Rev.04

ATTENTION: READ ALL INSTRUCTIONS ENTIRELY BEFORE INSTALLATION

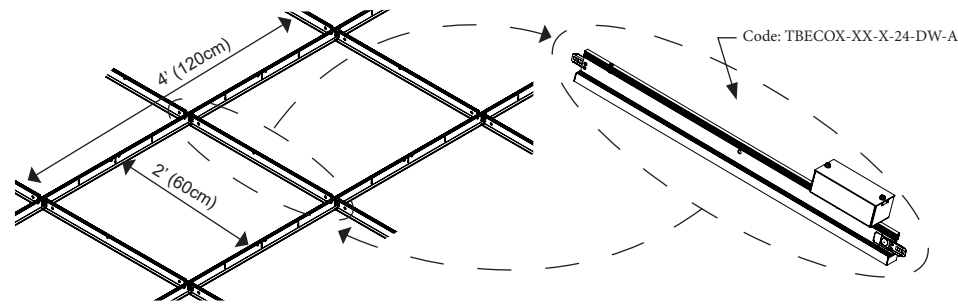
WHERE I CAN INSTALL THE T-BAR ECO®

- IN A NEW 15/16" (T24) CEILING GRID INSTALLATION, THE ACOUSTICAL CONTRACTOR (AC) WILL INSTALL THE ARMSTRONG CEILING GRID IN A 2'x2' (60X60cm), 2'x4' (60X120cm) OR 4'x4' (120X120cm) LEAVING SPECIFIC OPENINGS FOR THE ELECTRICAL CONTRACTOR (EC), ACCORDING TO THE LIGHT REQUIREMENT
- THE EC WILL INSTALL A 2' (60cm) OR A 4' (120cm) T-BAR ECO® AT THE SPECIFIC OPENING IN THE CEILING



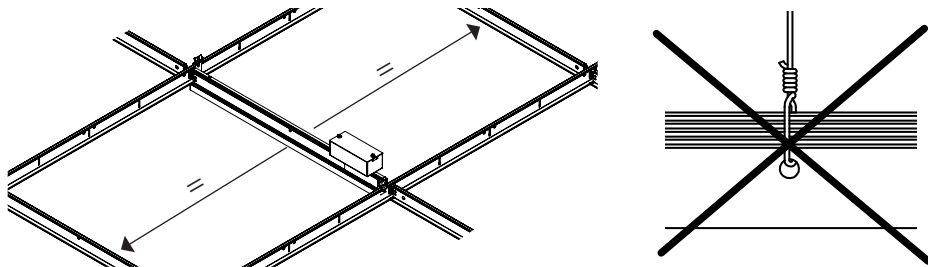
- AFTER THE EC HAS PROPERLY COMPLETED THE INSTALLATION, THE AC WILL FINISH THE CEILING WITH APPROPRIATE SIZE CEILING TILES

- IN AN EXISTING SUSPENDED 15/16" (T24) GRID, VERIFY THE **EXISTING CEILING IS AN ARMSTRONG CEILING**, THEN LOCATE THE CROSS TEES THAT ARE INTENDED TO BE SUBSTITUTED WITH THE 2' (60cm) OR 4' (120cm) T-BAR ECO® (ACCORDING TO THE LIGHT REQUIREMENT)
- THE AC SHALL TEMPORARILY REMOVE THE TILES WITHIN THE SPACE SELECTED AND REMOVE THE CROSS TEES
- THE EC SHALL THEN INSTALL THE 2' (60cm) OR 4' (120cm) T-BAR ECO® IN THIS DESIRED LOCATION
- AFTER THE EC HAS PROPERLY COMPLETED THE INSTALLATION, THE AC WILL REINSTALL THE EXISTING OR REPLACEMENT CEILING TILES



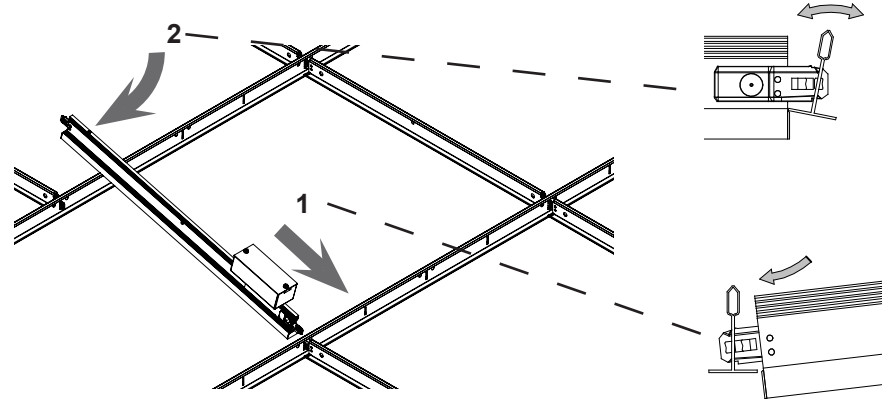
NOTE: WHEN CORRECTLY INSTALLED THE END DETAILS WILL ENSURE THE T-BAR ECO® IS POSITIONED CORRECTLY ALLOWING FOR THE CORRECT SPACING OF THE ARMSTRONG CEILING TILES

NOTE: THE T-BAR LED ECO® HAS BEEN SEISMICALLY TESTED FOR USE WITH ARMSTRONG CEILINGS AND **DOES NOT NEED TO BE** INDEPENDENTLY SUPPORTED

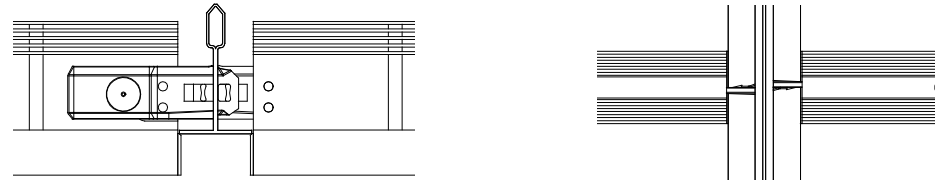


HOW I INSTALL THE T-BAR ECO®

- PLACE THE PRODUCT OVER THE GRID FOLLOWING THE BELOW CONFIGURATION. ENTER ONE CLIP INSIDE THE DESIRED ROUT LOCATION (1).
- ENTER THE OTHER CLIP ON THE OTHER SIDE INSIDE THE CORRESPONDING ROUT LOCATION BY TWISTING THE GRID AND APPLYING ENOUGH PRESSURE TO ALLOW THE PRODUCT TO ENTER IN PLACE (2).

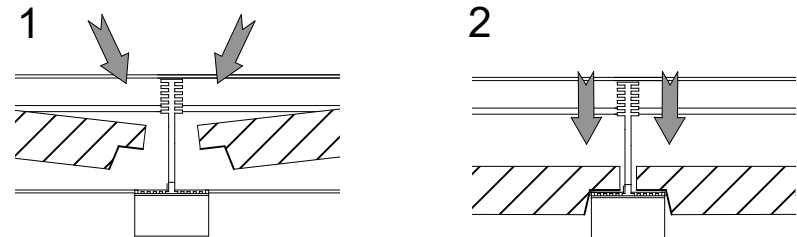


- DETAILED SIDE AND TOP VIEW OF TWO T-BAR ECO® CONNECTED TOGETHER. THE MOUNTING CLIP IS DESIGNED TO CONNECT SIDE BY SIDE WITH ANOTHER T-BAR ECO OR WITH A STANDARD ARMSTRONG CROSS TEE



- AFTER THE EC HAS ELECTRIFIED THE T-BAR ECO® (SEE FOLLOWING PAGE FOR INSTRUCTION), THE AC CAN INSTALL THE ARMSTRONG CEILING TILES IN THEIR CORRECT POSITION OVER THE T-BAR ECO® PRODUCT AS SHOWN

NOTE: ONLY TEGULAR AND LAY IN CEILING TILES MAY BE USED WITH THE T-BAR ECO®



ATTENTION: READ ALL INSTRUCTIONS ENTIRELY BEFORE INSTALLATION

ATTENTION: READ ALL INSTRUCTIONS ENTIRELY BEFORE INSTALLATION