



PIM Brand - New Jersey | 1200 Studios

T-BAR LED[®] & GEMINI[™]

New mounting option for specialty wood ceilings.

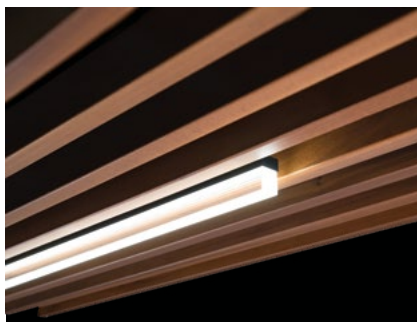
Wood ceilings are used to elevate the look of a space. They provide a natural warmth and promote an intimate human connection with nature. JLC-Tech is an expert at seamlessly integrating elegant LED lighting solutions within the built environment. We are proud to announce our new specialty wood ceiling mounting option for our T-BAR LED and GEMINI lighting solutions. Trust JLC-Tech's team of experts to ensure your next project involving specialty wood ceiling design is a success!

SPECIALTY WOOD CEILINGS = SPECIALTY LIGHTING SOLUTIONS = JLC-TECH

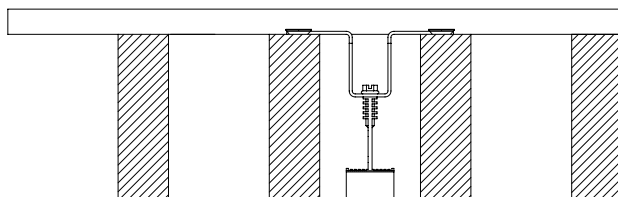
Different specialty wood ceiling types can present unique challenges when architectural lighting is introduced into the design. Some of the most widely used specialty wood ceiling options on the market include wood grille, wood plank and wood panel, yet finding the right lighting solution to guarantee a smooth install can be difficult.

JLC-Tech has designed specialty mounting systems so that our slim 9/16" and 15/16" T-BAR LED and low-profile GEMINI lighting will support harmonious integration into the variety of specialty wood ceilings. Our expert integration solutions not only guarantee proper installation per specification, but they also allow for the installation to be seamless and simple. JLC-Tech integrates elegant architectural lighting into beautiful specialty wood ceilings, keeping rigorous and expensive labor out of the picture.

T-BAR LED with wood grille ceiling



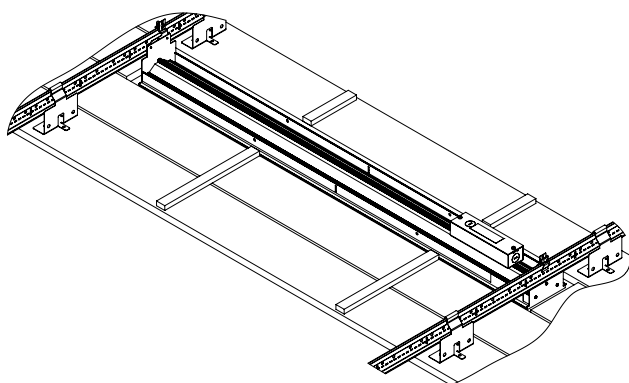
Example 1:
T-BAR LED's slim profile allows it to integrate easily between the narrow reveals of a wood grille ceiling using our specialty wood mounting brackets.



GEMINI with wood plank ceiling



Example 2:
GEMINI with specialty wood mounting brackets is shown with a plank ceiling using the GEMINI fixture to replace an entire plank for a cohesive look.



HOW TO SPECIFY

When using a specialty wood ceiling, select the "W" mounting option on our spec sheets. Our Customer Experience Team will work with you to designate the specialty mounting clip needed for your ceiling design.

T-BAR LED Order Specification Guide		
Optic	Mounting Clips	Color
D = Diffusing Lens	U = Universal	W = White
B = Block Clear Diffusing Lens	A = Armstrong	B = Black
B2 = Block Frosted Diffusing Lens	W = Specialty Wood	C = Custom
C2 = Multi-Reflector	C = Custom	
C2WH = White Multi-Reflector		
C2BL = Black Multi-Reflector		
A2 = Asymmetric**		
S = Signage		

To learn more about our new specialty wood mounting option, visit our website, JLC-Tech.com.

