



Electrical Ratings

Input Voltage: 120-277V, 50/60Hz

Refer to product label for model specific wattage ratings.

ETL Listed for Indoor Use



Risk of Electric Shock - Verify branch circuit is OFF before connecting or servicing this fixture

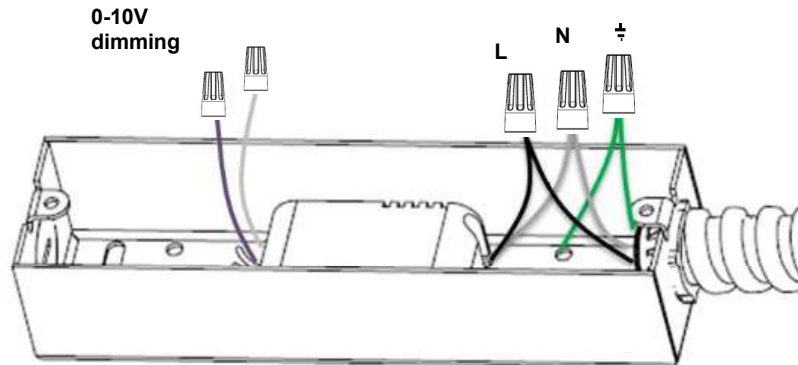
This fixture must be installed and wired by a licensed electrician.

JLC-Tech LLC will not be held responsible if the fixtures are not installed according to applicable codes and safety standards

Installation is subject to local code and jurisdiction

Keep these instructions for the person responsible for the maintenance of this installation.

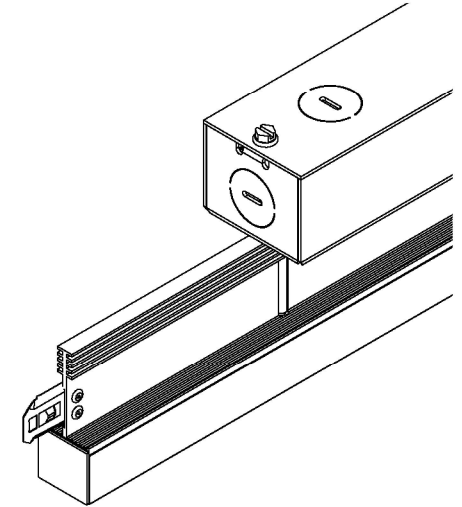
1. Open the junction box cover.
3. Connect purple/grey wires to 0-10V dimming system (if required).
4. Connect 120-277V branch circuit to driver input



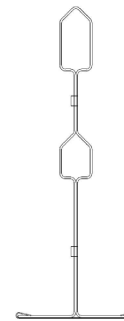
ATTENTION: READ ALL INSTRUCTIONS ENTIRELY BEFORE INSTALLATION



THE ONLY LIGHTING PRODUCTS THAT ARE ENGINEERED AND PATENTED TO REPLACE THE CROSS MEMBERS IN A SUSPENDED GRID CEILING SYSTEM.



SPECIFICALLY DESIGNED FOR USE WITH ARMSTRONG® PRELUDE® XL MAX® GRID



RoHS

For patent information see: www.jlc-tech.com/patents

Armstrong, the Armstrong logo, Prelude and XL Max are trademarks of AWI Licensing LLC and/or its affiliates.

MADE IN USA

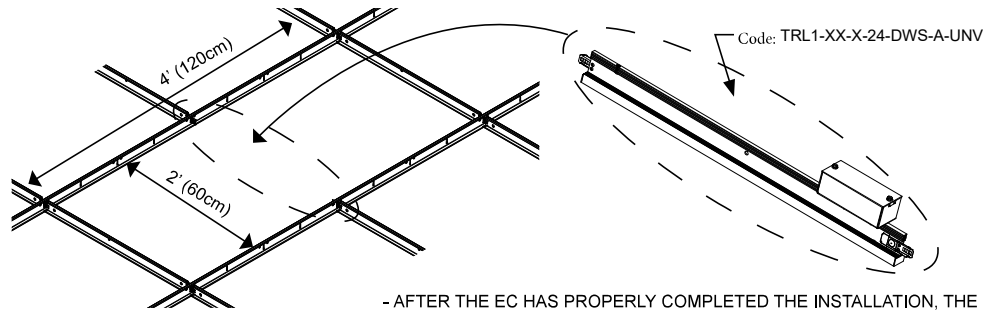
ATTENTION: READ ALL INSTRUCTIONS ENTIRELY BEFORE INSTALLATION

ATTENTION: READ ALL INSTRUCTIONS ENTIRELY BEFORE INSTALLATION

CODE: T-BAR603 Teralyte 1" for Armstrong Prelude XL Max Instruction Sheet 15/16" Rev.01

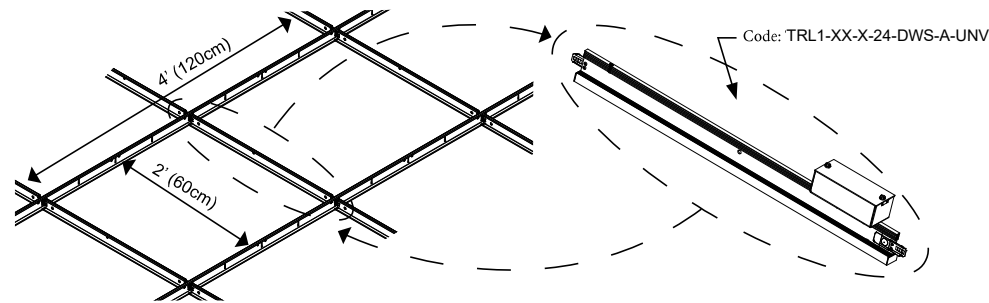
WHERE I CAN INSTALL THE TERALYTE™ 1"

- IN A NEW 15/16" (T24) CEILING GRID INSTALLATION, THE ACOUSTICAL CONTRACTOR (AC) WILL INSTALL THE ARMSTRONG CEILING GRID IN A 2'x2' (60X60cm), 2'x4' (60X120cm) OR 4'x4' (120X120cm) LEAVING SPECIFIC OPENINGS FOR THE ELECTRICAL CONTRACTOR (EC), ACCORDING TO THE LIGHT REQUIREMENT
- THE EC WILL INSTALL A 2' (60cm) OR A 4' (120cm) TeraLyte 1" AT THE SPECIFIC OPENING IN THE CEILING



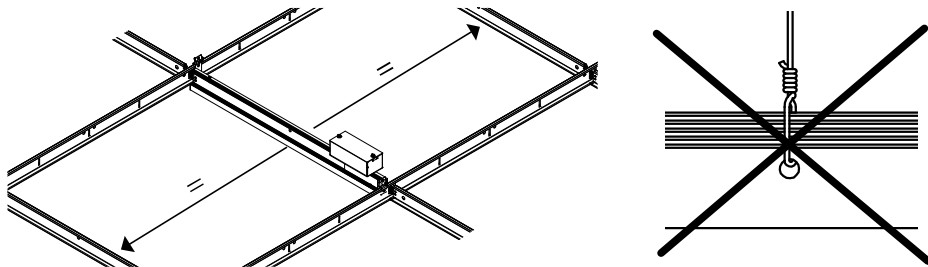
- AFTER THE EC HAS PROPERLY COMPLETED THE INSTALLATION, THE AC WILL FINISH THE CEILING WITH APPROPRIATE SIZE CEILING TILES

- IN AN EXISTING SUSPENDED 15/16" (T24) GRID, VERIFY THE EXISTING CEILING IS AN ARMSTRONG CEILING, THEN LOCATE THE CROSS TEES THAT ARE INTENDED TO BE SUBSTITUTED WITH THE 2' (60cm) OR 4' (120cm) TeraLyte 1" (ACCORDING TO THE LIGHT REQUIREMENT)
- THE AC SHALL TEMPORARILY REMOVE THE TILES WITHIN THE SPACE SELECTED AND REMOVE THE CROSS TEES
- THE EC SHALL THEN INSTALL THE 2' (60cm) OR 4' (120cm) TeraLyte 1" IN THIS DESIRED LOCATION
- AFTER THE EC HAS PROPERLY COMPLETED THE INSTALLATION, THE AC WILL REINSTALL THE EXISTING OR REPLACEMENT CEILING TILES



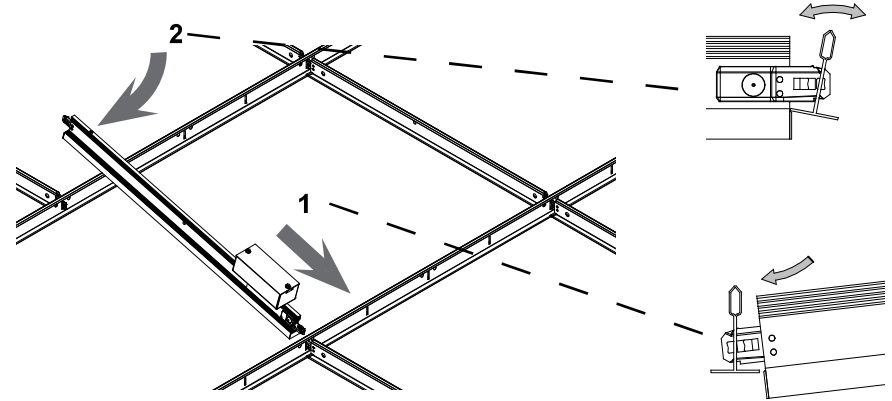
NOTE: WHEN CORRECTLY INSTALLED THE END DETAILS WILL ENSURE THE TeraLyte 1" IS POSITIONED CORRECTLY ALLOWING FOR THE CORRECT SPACING OF THE ARMSTRONG CEILING TILES

NOTE: THE TeraLyte 1" HAS BEEN SEISMICALLY TESTED FOR USE WITH ARMSTRONG CEILINGS AND DOES NOT NEED TO BE INDEPENDENTLY SUPPORTED

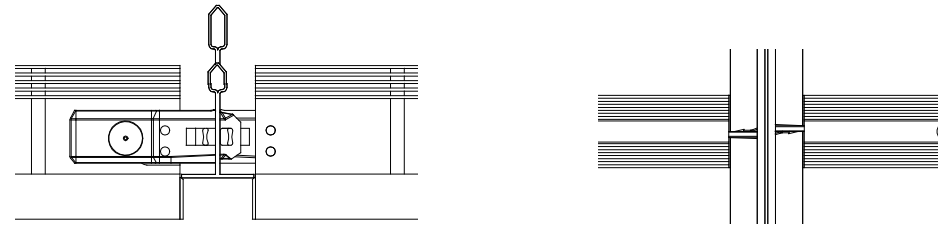


HOW I INSTALL THE TERALYTE™ 1"

- PLACE THE PRODUCT OVER THE GRID FOLLOWING THE BELOW CONFIGURATION. ENTER ONE CLIP INSIDE THE DESIRED ROUT LOCATION (1).
- ENTER THE OTHER CLIP ON THE OTHER SIDE INSIDE THE CORRESPONDING ROUT LOCATION BY TWISTING THE GRID AND APPLYING ENOUGH PRESSURE TO ALLOW THE PRODUCT TO ENTER IN PLACE (2).

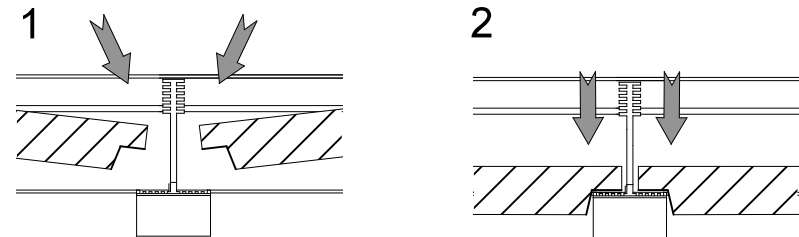


- DETAILED SIDE AND TOP VIEW OF TWO TeraLyte 1" CONNECTED TOGETHER. THE MOUNTING CLIP IS DESIGNED TO CONNECT SIDE BY SIDE WITH ANOTHER TeraLyte 1" OR WITH A STANDARD ARMSTRONG CROSS TEE



- AFTER THE EC HAS ELECTRIFIED THE TeraLyte 1" (SEE FOLLOWING PAGE FOR INSTRUCTION), THE AC CAN INSTALL THE ARMSTRONG CEILING TILES IN THEIR CORRECT POSITION OVER THE TeraLyte 1" PRODUCT AS SHOWN

NOTE: ONLY TEGULAR AND LAY IN CEILING TILES MAY BE USED WITH THE TeraLyte 1"



ATTENTION: READ ALL INSTRUCTIONS ENTIRELY BEFORE INSTALLATION

ATTENTION: READ ALL INSTRUCTIONS ENTIRELY BEFORE INSTALLATION