

T-BAR LED X-SERIES | Order Specification Guide



Product Name	LED/K Color	Light Output	Grid Size	Grid Type	Optic	Mounting	Color	Driver	Options
TBLX = T-BAR LED X-SERIES	HW = 3000K	LO = Low	2 = 2 ft	24 = 15/16"	D = Diffusing Lens	U = Universal	W = White	UNV = 120-277 0-10V dimming POE = Power over Ethernet**	CP = Chicago Plenum LA = Lutron Athena Wireless Node**
	MW = 3500K	MO = Medium	4 = 4 ft	15 = 9/16"	DW = Diffused White Lens	A = Armstrong	B = Black		
	MN = 4000K	HO = High	5 = 5 ft	15B = 9/16" Bolt Slot	B = Block Clear Diffusing Lens	C = Custom	C = Custom		
	HN = 4500K		4L	15H = 9/16" High Efficiency*	B2 = Block Frosted Diffusing Lens				
	CN = 5000K		Metric	15HB = 9/16" High Efficiency Bolt Slot*					
		Custom lumen outputs available, consult factory.	6 = 60 cm	24C = 15/16" Partially Concealed Grid*					Optional EM Battery Kit available (sold separately).
	90 CRI available on request.		12 = 120 cm						
			12L						

www.jlc-tech.com/patents

*15H/15HB and 24C models cannot be used for geometric shapes.

**For PoE or Lutron Athena, consult factory

Diffusing Lens (D)



NOTES:

T-BAR LED X-SERIES is a 120–277VAC input, high efficiency LED fixture designed specifically for integration into suspension ceiling systems by directly replacing cross tees. On-board junction box includes driver and 0–10V dimming connection.

APPLICATIONS:

Executive, Medical, Health, Educational, Retail, Hotels, Airport, Hospitality and any open space areas that require a unique and energy efficient architectural lighting design.

MOUNTING:

Universal mounting brackets are for easy installation to standard 15/16" or 9/16" T-Bars of most manufacturers' ceiling suspension systems. Armstrong compatible mounting clips for installation with Armstrong Ceiling 15/16" Prelude® and Clean Room™, 9/16" Suprafine®, Silhouette®, Sonata® and Interlude® suspension systems. Compatible with Tegular, Lay-in, and Partially Concealed tiles.

MATERIALS:

Anodized and painted aluminum extruded body, steel junction box and mounting clips, PC end caps, high transmitting acrylic PMMA lens.

ELECTRIC:

Universal input voltage of 120–277Vac. Junction box installed on fixture with integral driver for connection to line voltage and 0-10V dimming system, (dimnable to 1%). For EM Battery Kit order separately.

WARRANTY:

5 years limited warranty. For complete warranty terms, please visit our website.

LISTINGS:

ETL/cETLus CE RoHS. Indoor use only. IC rated. IP 40.

Diffused White Lens (DW)



Block Clear Diffusing Lens (B)



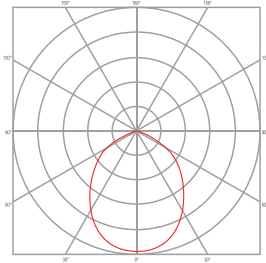
Block Frosted Diffusing Lens (B2)



Photometrics CRI = >82

L₈₀ > 60K hrs

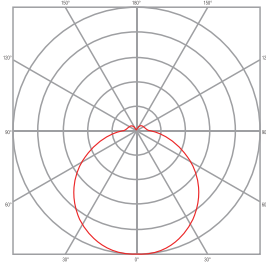
Diffusing Lens - Grid Type: 24 and 15H/15HB



15/16" & 9/16" High Efficiency Diffusing Lens 4000K

Code Selection	Output (lm/ft)	Power (watts/ft)	Efficacy (lm/W)
LO = Low	389	3.3	118
MO = Medium	595	5.2	114
HO = High	1038	9.5	109

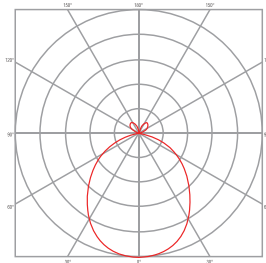
Diffused White Lens - Grid Type: 24 and 15H/15HB



15/16" & 9/16" High Efficiency Diffused White Lens 4000K

Code Selection	Output (lm/ft)	Power (watts/ft)	Efficacy (lm/W)
LO = Low	337	3.3	102
MO = Medium	515	5.2	99
HO = High	900	9.5	95

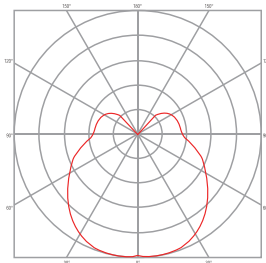
Block Clear Diffusing Lens - Grid Type: 24 and 15H/15HB



15/16" & 9/16" High Efficiency Block Clear Diffusing Lens 4000K

Code Selection	Output (lm/ft)	Power (watts/ft)	Efficacy (lm/W)
LO = Low	370	3.3	112
MO = Medium	564	5.2	109
HO = High	995	9.5	105

Block Frosted Diffusing Lens - Grid Type: 24 and 15H/15HB



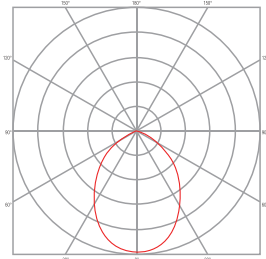
15/16" & 9/16" High Efficiency Block Frosted Diffusing Lens 4000K

Code Selection	Output (lm/ft)	Power (watts/ft)	Efficacy (lm/W)
LO = Low	389	3.3	118
MO = Medium	595	5.2	114
HO = High	1038	9.5	109

*Complete photometric info and IES files are available for download at www.jlc-tech.com

Photometrics CRI = >82

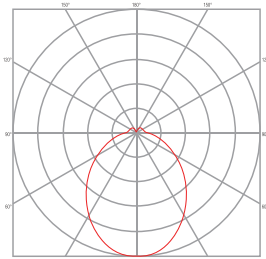
L₈₀ > 60K hrs



9/16" Diffusing Lens 4000K

Diffusing Lens - Grid Type: 15/15B

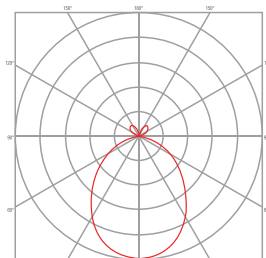
Code Selection	Output (lm/ft)	Power (watts/ft)	Efficacy (lm/W)
LO = Low	282	3.3	85
MO = Medium	440	5.2	84
HO = High	806	9.5	85



9/16" Diffused White Lens 4000K

Diffused White Lens - Grid Type: 15/15B

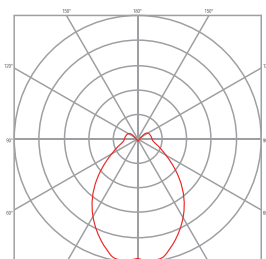
Code Selection	Output (lm/ft)	Power (watts/ft)	Efficacy (lm/W)
LO = Low	196	3.3	60
MO = Medium	311	5.2	60
HO = High	560	9.5	59



9/16" Block Clear Diffusing Lens 4000K

Block Clear Diffusing Lens - Grid Type: 15/15B

Code Selection	Output (lm/ft)	Power (watts/ft)	Efficacy (lm/W)
LO = Low	274	3.3	83
MO = Medium	436	5.2	84
HO = High	797	9.5	84



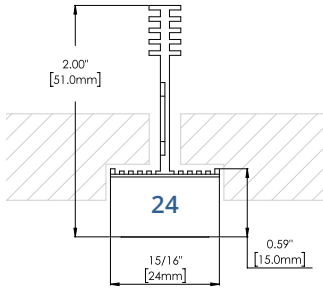
9/16" Block Frosted Diffusing Lens 4000K

Block Frosted Diffusing Lens - Grid Type: 15/15B

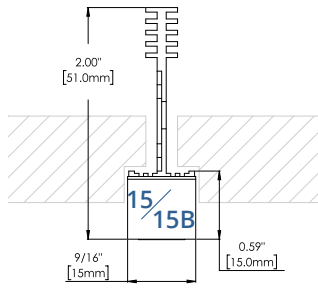
Code Selection	Output (lm/ft)	Power (watts/ft)	Efficacy (lm/W)
LO = Low	280	3.3	85
MO = Medium	445	5.2	86
HO = High	813	9.5	86

*Complete photometric info and IES files are available for download at www.jlc-tech.com

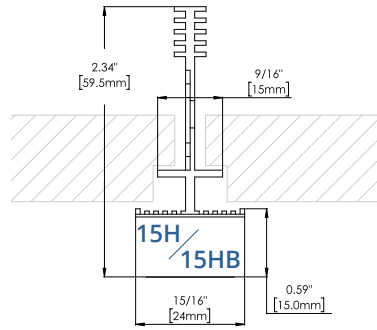
Profile Dimensions (Compatible with Tegular, Lay-in and Partially Concealed tiles)



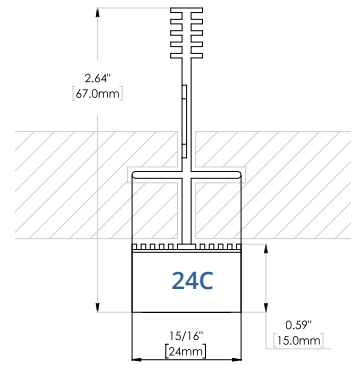
15/16" Diffusing Lens
TBLX-XX-XX-X-24-D-X-X-UNV



9/16" Diffusing Lens
TBLX-XX-XX-X-15/15B-D-X-X-UNV

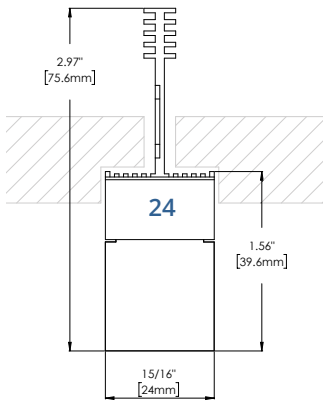


9/16" High Efficiency Diffusing Lens
TBLX-XX-XX-X-15H/15HB-D-X-X-UNV

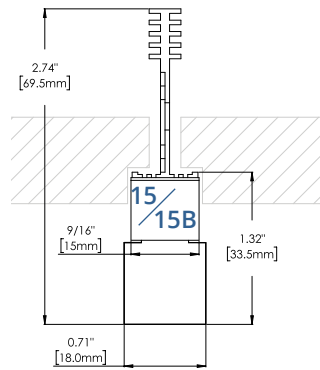


15/16" Concealed Diffusing Lens
TBLX-XX-XX-X-24C-D-X-X-UNV

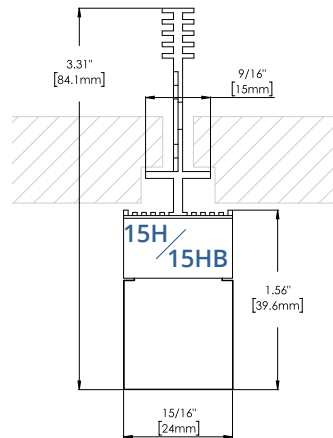
Clear block and frosted block variable heights 1/2" – 4" available, consult factory.



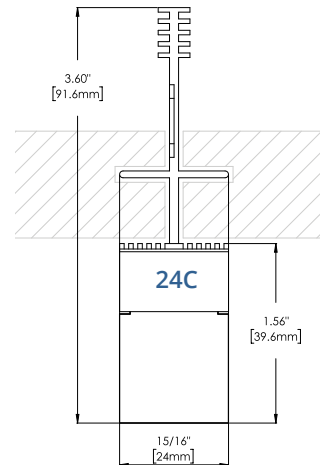
15/16" Block Lens
TBLX-XX-XX-X-24-B/B2-X-X-UNV



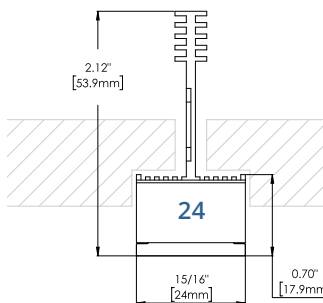
9/16" Block Lens
TBLX-XX-XX-X-15/15B-B/B2-X-X-UNV



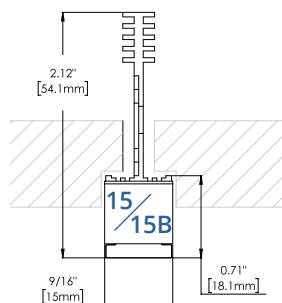
9/16" High Efficiency Block Lens
TBLX-XX-XX-X-15H/15HB-B/B2-X-X-UNV



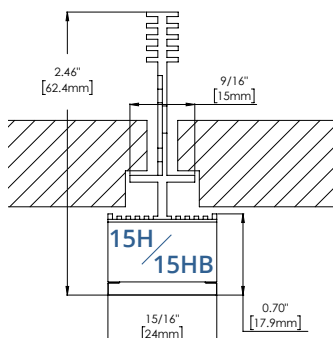
15/16" Concealed Block Lens
TBLX-XX-XX-X-24C-B/B2-X-X-UNV



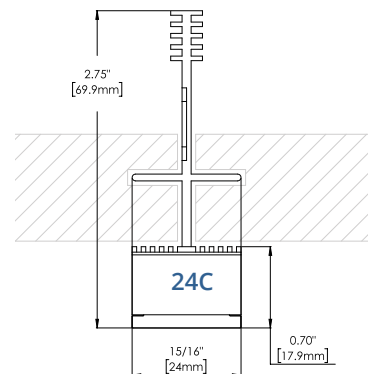
15/16" Diffused White Lens
TBLX-XX-XX-X-24-DW-X-X-UNV



9/16" Diffused White Lens
TBLX-XX-XX-X-15/15B-DW-X-X-UNV

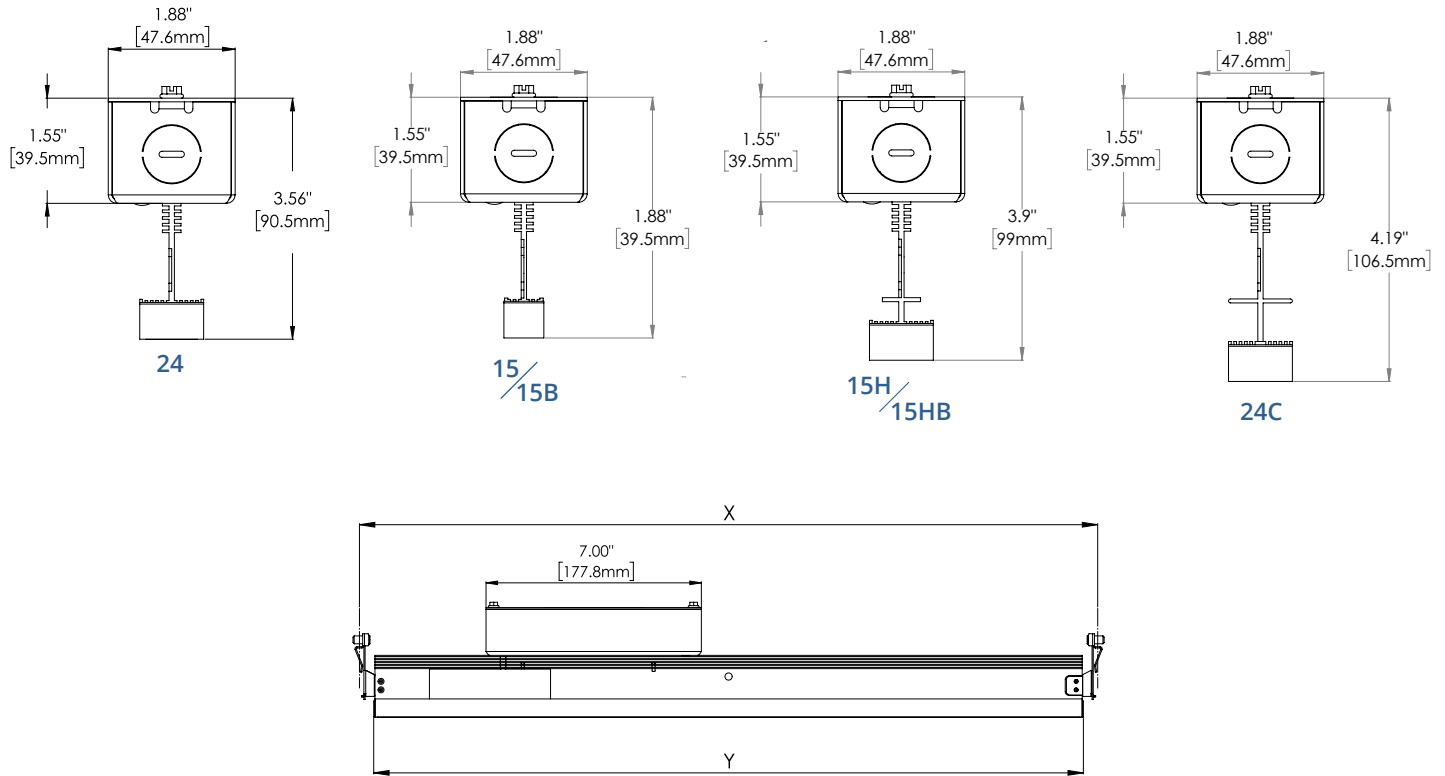


9/16" High Efficiency Diffused White Lens
TBLX-XX-XX-X-15H/15HB-DW-X-X-UNV



15/16" Concealed Diffused White Lens
TBLX-XX-XX-X-24C-DW-X-X-UNV

Length Dimensions



Size	Grid Type	X	Y
2 = 2ft	24 = 15/16"	24"	23"
4 = 4ft	24 = 15/16"	48"	47"
5 = 5ft	24 = 15/16"	60"	59"
4L	24 = 15/16"	48"	24"

Size	Grid Type	X	Y
2 = 2ft	15/15B = 9/16"	24"	23.4"
4 = 4ft	15/15B = 9/16"	48"	47.4"
5 = 5ft	15/15B = 9/16"	60"	59.4"
4L	15/15B = 9/16"	48"	24"

Size	Grid Type	X	Y
2 = 2ft	15H/15HB = 9/16"	24"	23.4"
4 = 4ft	15H/15HB = 9/16"	48"	47.4"
5 = 5ft	15H/15HB = 9/16"	60"	59.4"

Size	Grid Type	X	Y
2 = 2ft	24C = 15/16"	24"	23.7"
4 = 4ft	24C = 15/16"	48"	47.8"