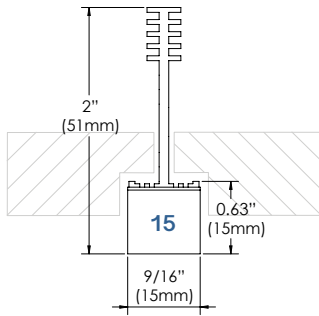


Product Name	LED/K Color	Grid Size	Grid Type	Optic	Mounting Clips	Color	Driver	Options
TBFL = T-BAR FLEX	HW = 3000K	16 = 24" OC, 75°	15 = 9/16"	D = Diffusing Lens	A = Armstrong® Ceilings	W = White C = Custom	UNV = Universal 120–277V 0–10V dimming POE = Power over Ethernet*	CP = Chicago Plenum Optional EM Battery Kit available (sold separately).
	MW = 3500K	22 = 24" OC, 60°		B = Block Clear Diffusing Lens				
	MN = 4000K	30 = 24" OC, 45°		B2 = Block Frosted Diffusing Lens				
	HN = 4500K	41 = 48" OC, 75°		Custom block heights 1/2"– 4" available, consult factory.				
	CN = 5000K	49 = 48" OC, 60° 64 = 48" OC, 45°						
90 CRI available, on request.								

www.jlc-tech.com/patents

*For PoE, consult factory

Diffusing Lens Profile Dimensions
(Compatible with Tegular and Lay-in tiles)



CRI = >82

NOTES:

T-BAR FLEX is designed for seamless integration into DESIGNFlex™ Ceiling Systems by Armstrong® Ceilings. Create unique shapes and patterns beyond the traditional ceiling layout. Armstrong Ceiling clips allow for easy installation, just as you would install a typical cross tee.

APPLICATIONS:

Executive, Medical, Health, Educational, Retail, Hotels, Airport, Hospitality and any open space areas that require a unique and elegant architectural lighting design.

MOUNTING:

Integrates with Armstrong Ceilings DESIGNFlex 9/16" Suprafine® Suspension Systems. Compatible with Tegular and Lay-in tiles.

MATERIALS:

Anodized and painted aluminum extruded body, steel mounting clips, white PC end caps, high transmitting acrylic PMMA lens.

ELECTRIC:

Universal input voltage of 120V – 277VAC. Junction box installed on fixture with integral driver and wire nuts inside for connection to line voltage and 0-10VDC dimming system. Fixture must be installed in accordance with local electrical codes. For EM Battery Kit order separately. PoE options available, consult factory.

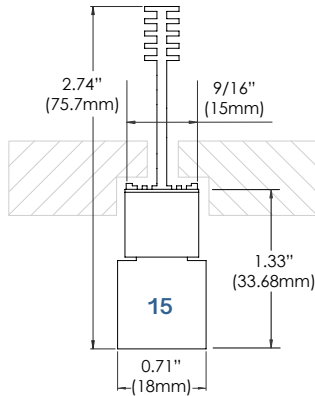
WARRANTY:

5 years

LISTINGS:

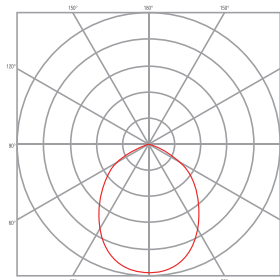
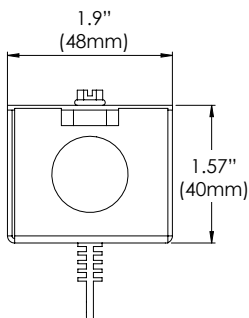
ETL/cETLus CE RoHS Indoor use only.

Block Diffusing Lens Profile Dimensions
(Compatible with Tegular and Lay-in tiles)

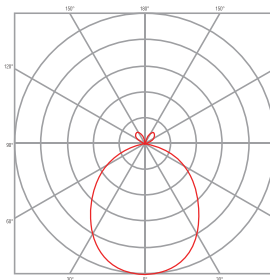


PHOTOMETRICS:

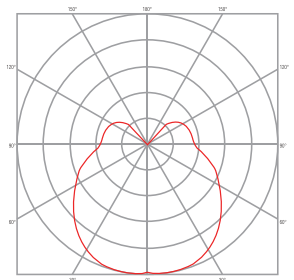
JB Installed on top (provided)



Diffusing Lens



Clear Block Diffusing Lens



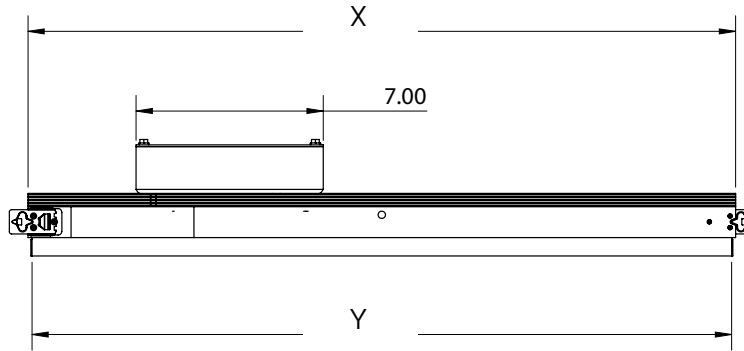
Frosted Block Diffusing Lens



The T-BAR FLEX® is specifically designed for DESIGNFlex™ Ceilings Systems by Armstrong® Ceilings. To learn more about this ceiling system visit www.armstrongceilings.com/designflex



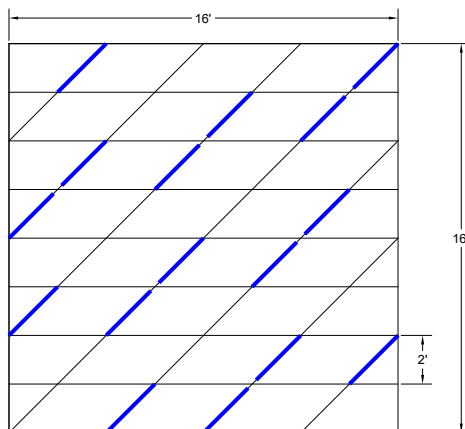
LENGTH DETAILS:



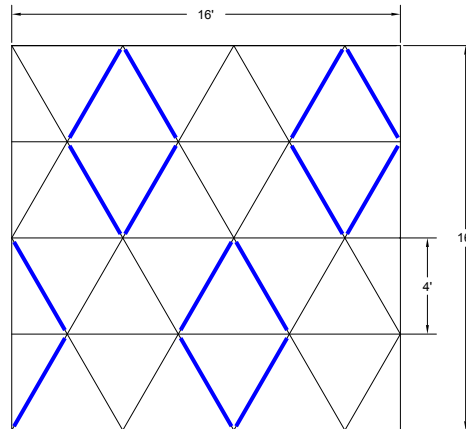
Size	Description	Grid Type	Replaces DESIGNFlex™ ceiling T code	X	Y	Lumens*	Watts	lm/W*
16	24" OC, 75°	9/16"	XM757524	16.92"	16.67"	657	7.3	90
22	24" OC, 60°	9/16"	XM756024	22.68"	22.42"	881	10.4	85
30	24" OC, 45°	9/16"	XM754524	30.43"	30.17"	1181	13.8	86
41	48" OC, 75°	9/16"	XM757548	41.66"	41.41"	1618	19.0	85
49	48" OC, 60°	9/16"	XM756048	49.51"	49.25"	1922	22.4	86
64	48" OC, 45°	9/16"	XM754548	64.37"	64.11"	2499	29.8	84

* Diffusing Lens 4000K

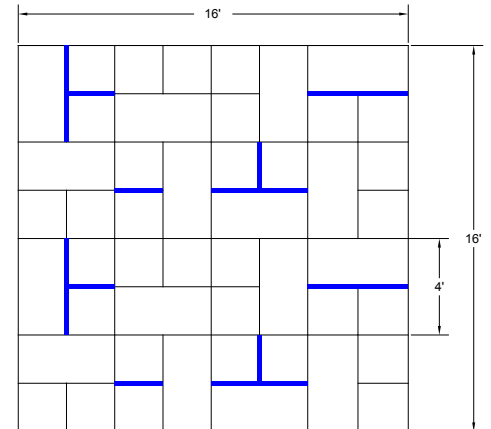
EXAMPLE LAYOUTS:



24" O.C. 45° Parallelograms



48" O.C. 60° Triangles



48" O.C. Squares and rectangles
For square and rectangle patterns please refer to T-BAR LED™ product line at www.tbarledsmartlight.com



The T-BAR FLEX® is specifically designed for DESIGNFlex™ Ceilings Systems by Armstrong® Ceilings. To learn more about this ceiling system visit www.armstrongceilings.com/designflex

