

T-BAR ECO DC | Order Specification Guide



Product Name	LED/K Color	Grid Size	Grid Type	Optic	Mounting Clips	Options
TBECODC = T-BAR ECO DC	HW = 3000K	2 = 2 ft	24 = 15/16"	DW = Diffused White Round DWS = Diffused White Square	U = Universal A = Armstrong	CP = Chicago Plenum IP = IP65  Optional EM Battery/Driver Kit available (sold separately).
	MW = 3500K	4 = 4 ft	15H = 9/16" High Efficiency <sup>1</sup>			
	MN = 4000K	4L	15HB = 9/16" High Efficiency Bolt Slot <sup>1</sup>			
	CN = 5000K	Metric				
		6 = 60 cm				
		12 = 120 cm				
		12L				

www.jlc-tech.com/patents

Power supply ordered separately.

<sup>1</sup>Cannot be used for geometric shapes

Diffused White Round Lens (DW)



Diffused White Square Lens (DWS)



**NOTES:**

T-BAR ECO DC is a 24VDC low voltage LED fixture that replaces the cross tees in a grid ceiling, offering uniform and diffuse light. T-BAR ECO DC modules can be parallel connected up to 12 linear feet max per power supply. Remote power supply includes JB compartment for AC input direct wiring with metal conduit. Max distance from power supply to fixtures is 30 feet with 18 AWG wire. Longer distance achievable if using higher gauge wire.

[\\*Power supply ordered separately \(refer to website\).](#)

**APPLICATIONS:**

Executive, Medical, Health, Educational, Retail, Hotels, Airport, Hospitality and any open space areas that require a unique and elegant architectural lighting design.

**MOUNTING:**

Universal mounting brackets for easy installation to standard 15/16" or 9/16" T-Bars of most manufacturers' ceiling suspension systems. Armstrong compatible mounting clips for installation with Armstrong Ceiling 15/16" Prelude® and Clean Room™, 9/16" Suprafine®, Silhouette®, Sonata® and Interlude® suspension systems. Compatible with Tegular and Lay-in tiles.

**MATERIALS:**

Anodized aluminum extruded body, steel mounting clips, white PC end caps, high transmitting acrylic PMMA lens.

**ELECTRIC:**

Fixtures consume 7W/ft. Power supply consumption not included. Input voltage 24VDC. Fixtures are available with 0-10V dimming to 1% or DALI with remote power supply (sold separately). Junction box installed on fixture for low voltage wiring connection to remote driver. [For EM Battery/Driver Kit, order separately.](#)

**WARRANTY:**

5 years limited warranty. For complete warranty terms, please visit our website.

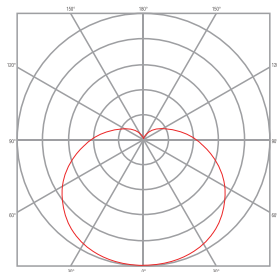
**LISTINGS:**

ETL/cETLus CE RoHS Indoor use only. IC Rated. IP 40.  
IP65 rated option  
IP ratings are intended below finished ceiling



Photometrics CRI = >80

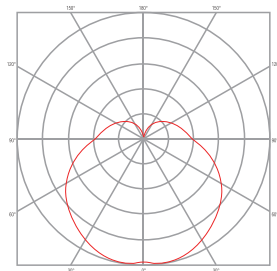
L<sub>80</sub> > 60K hrs



15/16" T-BAR ECO DC Round Lens 4000K

Diffused White Round Lens – Grid Type: 24

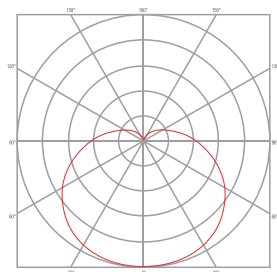
Product Code	Output (lm/ft)	Power (watts/ft)	Efficacy (lm/W)
TBECODC	634	5.6	113



15/16" T-BAR ECO DC Square Lens 4000K

Diffused White Square Lens – Grid Type: 24

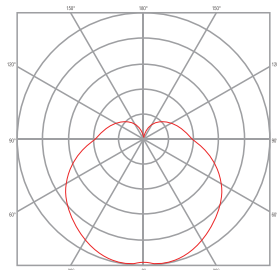
Product Code	Output (lm/ft)	Power (watts/ft)	Efficacy (lm/W)
TBECODC	636	5.6	114



9/16" High Efficiency T-BAR ECO DC Round Lens 4000K

Diffused White Round Lens – Grid Type: 15H/15HB

Product Code	Output (lm/ft)	Power (watts/ft)	Efficacy (lm/W)
TBECODC	634	5.6	113



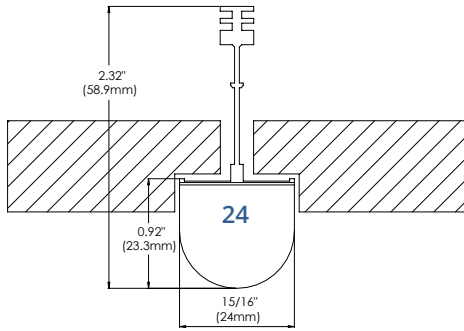
9/16" High Efficiency T-BAR ECO DC Square Lens 4000K

Diffused White Square Lens – Grid Type: 15H/15HB

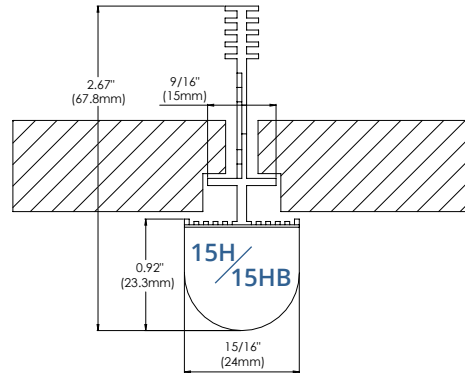
Product Code	Output (lm/ft)	Power (watts/ft)	Efficacy (lm/W)
TBECODC	636	5.6	114

Profile Dimensions

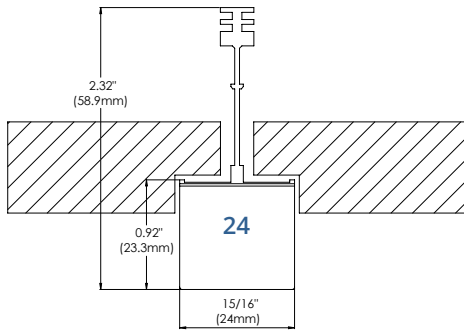
(Compatible with Tegular and Lay-in tiles)



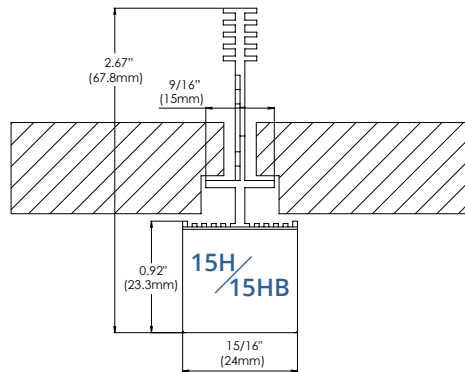
15/16" Diffuse White Round Lens  
TBECODC-XX-X-24-DW-X-X



9/16" High Efficiency Diffuse White Round Lens  
TBECODC-XX-X-15H/15HB-DW-X-X

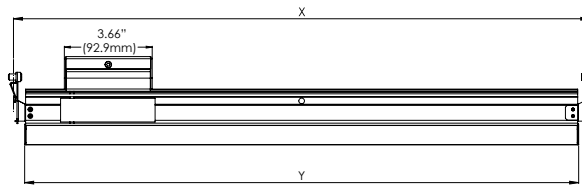
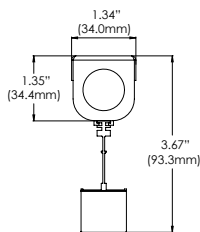


15/16" Diffuse White Square Lens  
TBECODC-XX-X-24-DWS-X-X



9/16" High Efficiency Diffuse White Square Lens  
TBECODC-XX-X-15H/15HB-DWS-X-X

Length Dimensions



Size	Grid Type	X	Y
2 = 2ft	24 = 15/16"	24"	23"
4 = 4ft	24 = 15/16"	48"	47"
4L	24 = 15/16"	48"	24"

Size	Grid Type	X	Y
2 = 2ft	15H/15HB = 9/16"	24"	23.4"
4 = 4ft	15H/15HB = 9/16"	48"	47.4"
4L	15H/15HB = 9/16"	48"	23.4"