

**INSTALLATION OF SORELLA™ LIGHT MODULE**

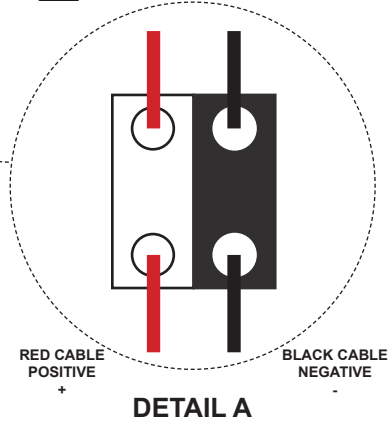
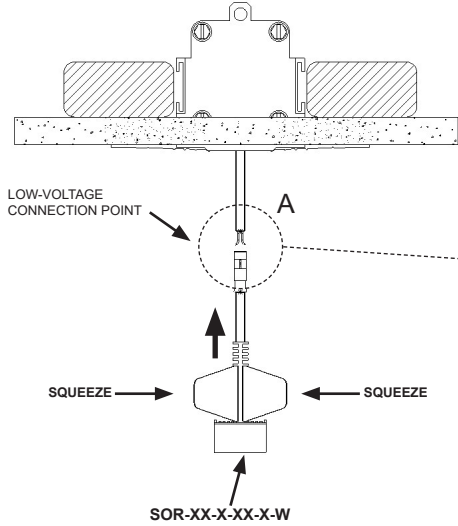
- HOLDING THE LIGHT MODULE NEAR THE HOUSING, CONNECT LOW VOLTAGE WIRES FROM CEILING TO CONNECTOR ON LIGHT MODULE (SEE DETAIL A), PUSH LOOSE WIRE INTO CEILING THROUGH TOP OPENING IN HOUSING. SQUEEZE BOTH SETS OF CLIPS ON EACH SIDE OF THE LIGHT MODULE, THEN PUSH LIGHT MODULE INTO THE HOUSING; LIGHT MODULE WILL SNAP INTO PLACE.

- ONCE LIGHT MODULE HAS BEEN INSTALLED IN HOUSING, CHECK LIGHT MODULE FOR STRAIGHTNESS, ADJUST AS NEEDED.

- CAUTION:** DO NOT DAMAGE PLASTER FINISH WHEN INSTALLING THE SORELLA™ LIGHT MODULE.
- CAUTION:** VERIFY CORRECT POLARITY OF WIRING.

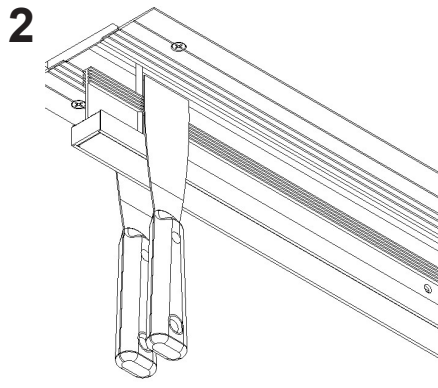
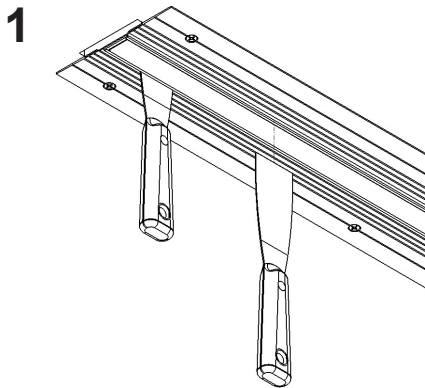
EACH QUICK CONNECTOR ALLOWS FOR THE POSSIBILITY TO INSERT CABLES FOR MULTIPLE PRODUCT CONNECTION (MAX 12FT OF PRODUCT)

**USE SOLID COPPER 18-16AWG OR FERRULES**



**REMOVAL OF SORELLA™ LIGHT MODULE**

- TO REMOVE THE SORELLA™ LIGHT MODULE FROM THE HOUSING, USE (2) PUTTY KNIVES IN THE GAPS BETWEEN THE HOUSING AND THE LIGHT MODULE. [1]
- SLIDE PUTTY KNIVES TOWARDS THE END OF THE SORELLA™ LIGHT MODULE UNTIL A RESISTANCE IS FELT FROM THE SQUEEZING OF THE SPRING CLIPS, THEN PULL DOWN TO RELEASE LIGHT MODULE FROM HOUSING. REPEAT PROCESS ON OTHER SIDE OF LIGHT MODULE. [2]

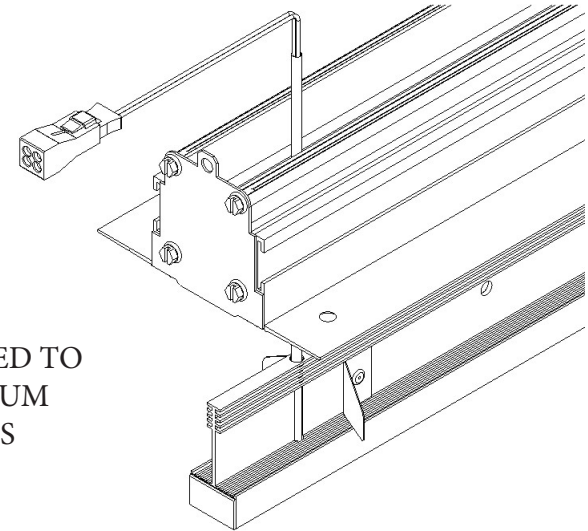


ATTENTION: READ ALL INSTRUCTIONS ENTIRELY BEFORE INSTALLATION

**ATTENTION: READ ALL INSTRUCTIONS ENTIRELY BEFORE INSTALLATION**

**FOR MODELS:**

- DIFFUSING LENS
- BLOCK LENS
- ASYMMETRIC
- MULTI-REFLECTOR
- SIGNAGE



SPECIFICALLY DESIGNED TO BE INSTALLED IN GYPSUM CEILING APPLICATIONS

ETL listed for indoor use



For patent information see [www.jlc-tech.com/patents](http://www.jlc-tech.com/patents)



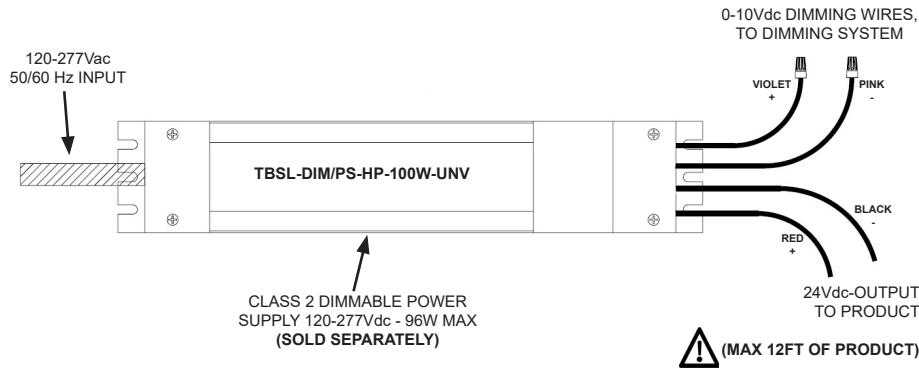
**CAUTION:**

- Sorella™ is designed to use class a 2 - 24Vdc power supply only. Use of any other power source will cause damage, shorten the life of the fixture, and may void the warranty
- This fixture must be installed and wired by a licensed electrician
- JLC-Tech LLC will not be held responsible if the fixtures are not installed according to applicable codes and safety standards
- Installation is subject to local code and jurisdiction
- Keep these instructions for the person responsible for the maintenance of this installation
- Refer to product label/specification sheet for model specific wattage ratings

CODE: T-BAR713 Sorella Mud Flange Instruction Sheet Rev.04

**ELECTRICAL INSTALLATION PREPARATION OF SORELLA™**

- INSTALL POWER SUPPLY (SOLD SEPARATELY) IN AN ACCESSIBLE LOCATION (REFER TO THE POWER SUPPLY INSTRUCTION SHEET FOR MORE INFORMATION).
- DETERMINE LOCATIONS OF SORELLA™ IN ACCORDANCE WITH THE LIGHT LAYOUT, AND ROUTE APPROPRIATE LOW VOLTAGE CABLE (BY OTHERS) FROM THE POWER SUPPLY TO POSITIONS WHERE SORELLA™ IS TO BE INSTALLED IN THE GYPSUM CEILING.

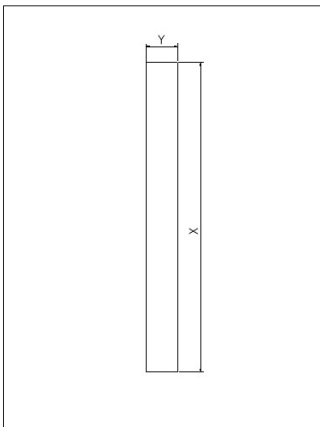


**MECHANICAL INSTALLATION PREPARATION OF SORELLA™**

- SORELLA™ HOUSING REQUIRES A BACKER FOR MOUNTING INSTALLATION, INSTALL APPROPRIATE BACKERS OR FRAME CEILING STRUCTURE IN THE REQUIRED LOCATIONS ACCORDING TO THE LIGHT LAYOUT.

**INSTALLATION OF SORELLA™ HOUSING**

1. CUT-OUT HOLE LOCATION FOR SORELLA™ FOLLOWING THE CUT-OUT DIMENSION TABLE BELOW.  
**NOTE:** USE APPROPRIATE TOOLS TO ENSURE THE STRAIGHTNESS OF THE CUT-OUT

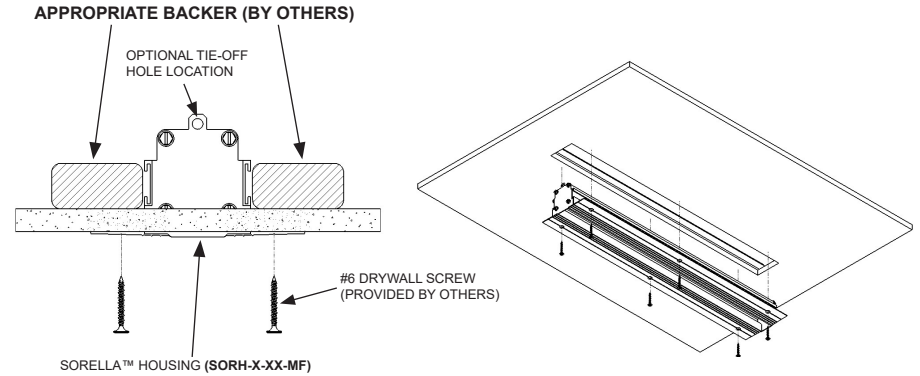


SORELLA™ GYPSUM CUT-OUT DIMENSIONS		
HOUSING CODE	X	Y
SORH-1-24-MF	12 1/8"	2 3/8"
SORH-2-24-MF	23 7/16"	2 3/8"
SORH-3-24-MF	34 3/4"	2 3/8"
SORH-4-24-MF	46 1/8"	2 3/8"
SORH-1-15-MF	12 1/8"	2"
SORH-2-15-MF	23 7/16"	2"
SORH-3-15-MF	34 3/4"	2"
SORH-4-15-MF	46 1/8"	2"

**INSTALLATION OF SORELLA™ HOUSING CONT.**

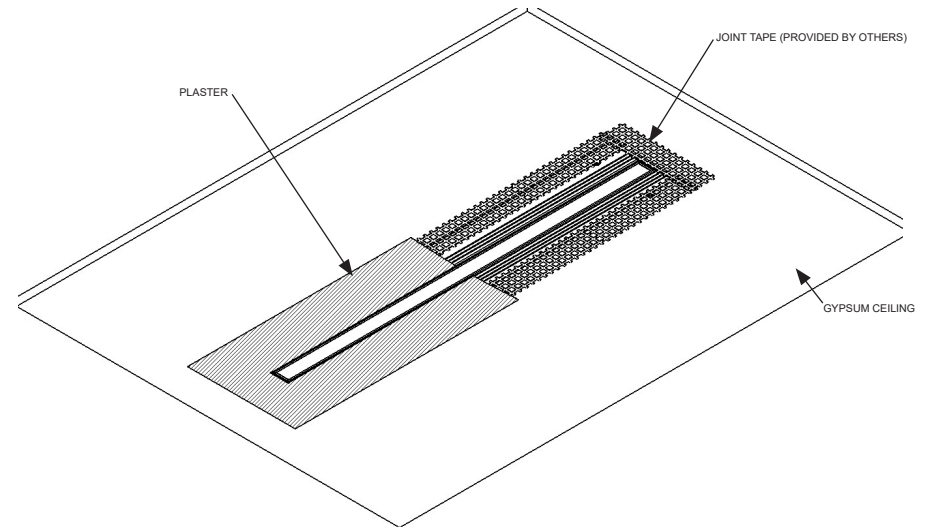
2. PULL LOW VOLTAGE FEED BELOW CEILING, LIFT HOUSING TIGHT AND FLUSH TO THE CEILING PLANE, AND SECURE HOUSING TO BACKER USING A #6 DRYWALL SCREW OR OTHER BUGLE HEAD SCREWS USING THE PRE-DRILLED MOUNTING HOLE LOCATIONS (#6 DRYWALL SCREW RECOMMENDED, SCREWS PROVIDED BY OTHERS).

- ⚠ - WHEN INSTALLING HOUSING, KEEP STRAIGHT SO NOT TO BEND HOUSING OR CLOSE OPENING
- **NOTE:** TIE-OFF HOUSING AT TIE-OFF HOLE LOCATIONS ON END CAP PER LOCAL CODES IF REQUIRED.



3. TAPE AND PLASTER AROUND THE HOUSING, ENSURING A SMOOTH SURFACE FINISH.

- ⚠ - DO NOT PLASTER OVER THE OPENING OF THE HOUSING OR THE LOW VOLTAGE WIRE.



ATTENTION: READ ALL INSTRUCTIONS ENTIRELY BEFORE INSTALLATION

ATTENTION: READ ALL INSTRUCTIONS ENTIRELY BEFORE INSTALLATION