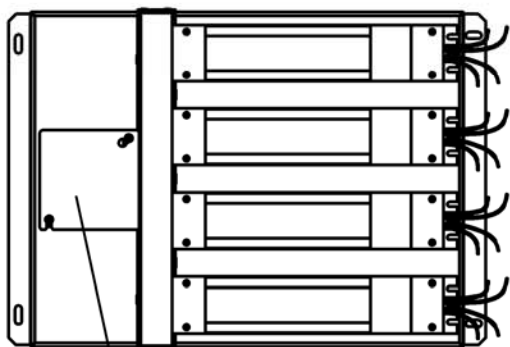
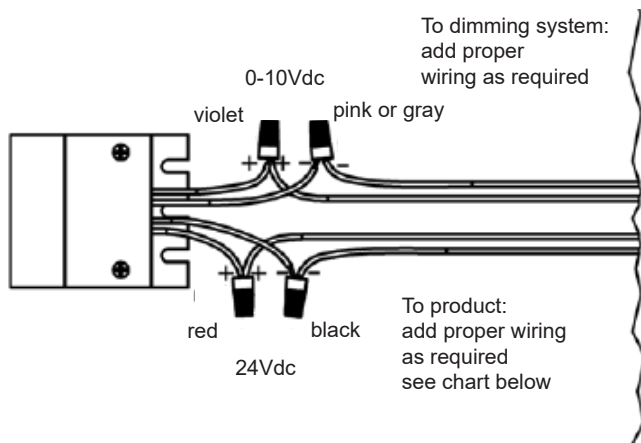


Wiring for DIMMABLE Power Supply TBSL-DIM-HP-400W-UNV



Input voltage 120-277Vac

Output - 4 channels
24Vdc - to product
0-10Vdc to dimming system




To dimming system:
add proper
wiring as required

To product:
add proper wiring
as required
see chart below

Wiring chart

Gauge	Length
18 (0.75mm ²)	30ft (9m) maximum
16 (1.50mm ²)	45ft (14m) maximum
14 (2.0mm ²)	70ft (21m) maximum

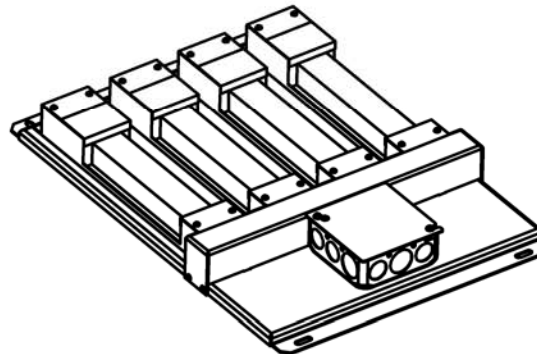


Ensure driver is not energized before connecting fixtures.
Do not hot plug low voltage fixtures.

ATTENTION! READ ALL INSTRUCTIONS ENTIRELY BEFORE INSTALLATION

ATTENTION! READ ALL INSTRUCTIONS ENTIRELY BEFORE INSTALLATION

400W Power kit with 4 independent class 2 24Vdc channels



TBSL-PS-HP-400W-UNV - non-Dimmable Power Supply
TBSL-DIM-HP-400W-UNV - Dimmable Power Supply

ATTENTION! READ ALL INSTRUCTIONS ENTIRELY BEFORE INSTALLATION

ETL Listed for Indoor Use

CAUTION:

- JLC-Tech products are designed to work with Class 2 - 24Vdc power supplies only. Use of any other power source will cause damage, shorten the life of the fixture and may void the warranty.
- This fixture must be installed and wired by a licensed electrician.
- JLC-Tech LLC will not be held responsible if the fixtures are not installed according to applicable codes and safety standards.
- Installation is subject to local code and jurisdiction.
- Keep these instructions for the person responsible for the maintenance of this

400W Power Supply Kit is capable of providing power for up to 12 linear feet of JLC-Tech 24VDC product per channel.

Refer to model specific wattage ratings of individual fixtures for max

Compatible Products:

- T-BAR LED®
- T-BAR UP®
- T-BAR RGBW™
- T-BAR ECO® DC
- SORELLA™

For patent information see: www.jlc-tech.com/patents



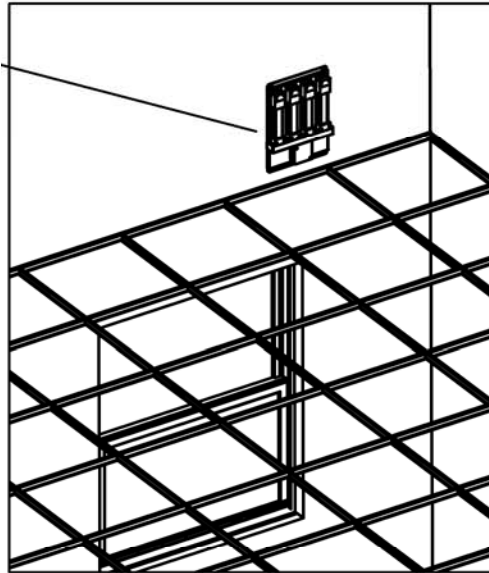
ASSEMBLED IN USA

CODE: T-BAR212 400W Power Supply Kit Instruction Sheet Rev.05

Field Installation

Power Supply to be securely fastened on site. Appropriate location and mounting hardware to be determined by the installer depending on field conditions.

Power supply must be installed in an accessible location.



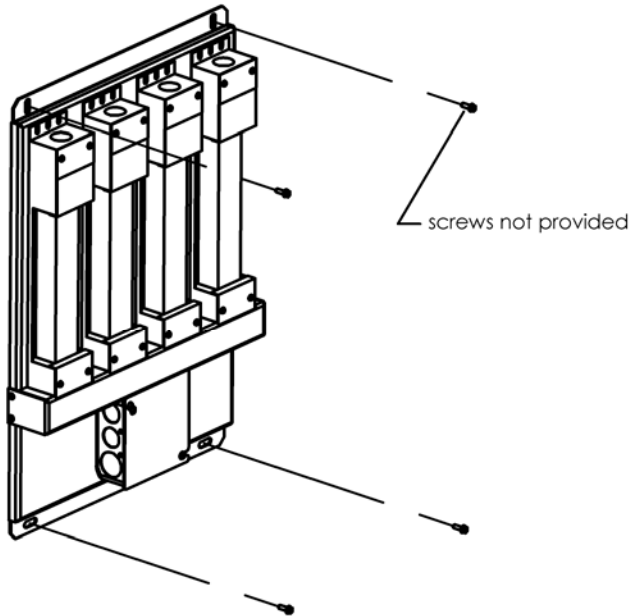
WARNING

For IC (Insulated Ceiling) installations, do not install insulation within 3 inches (76mm) of remote driver kit

AVERTISSEMENT

Ne pas mettre l'isolant à moins de 76mm (3po) de l'alimentation

**For Chicago Plenum installations locate the driver in an appropriate enclosure (by others) or in a non-Chicago Plenum rated area.*

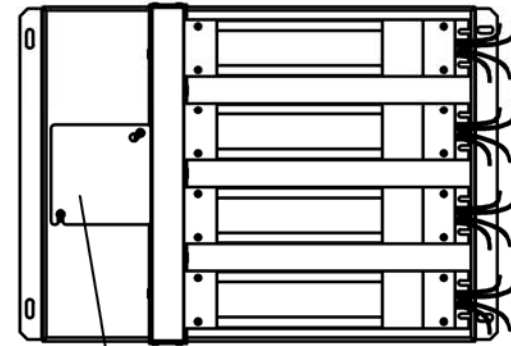


ATTENTION! READ ALL INSTRUCTIONS ENTIRELY BEFORE INSTALLATION

ATTENTION! READ ALL INSTRUCTIONS ENTIRELY BEFORE INSTALLATION

Wiring for NON-DIMMABLE Power Supply

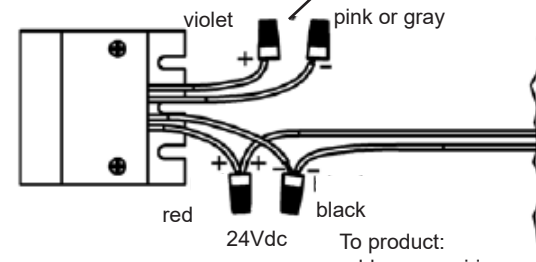
TBSL-PS-HP-400W-UNV



Input voltage 120-277Vac inside 4" Junction Box

Output - 4 channels
24Vdc - to product
0-10Vdc to dimming system

Verify dimming wires are independently capped off for non-dimmable installations



To product:
add proper wiring as required see chart below



Ensure driver is not energized before connecting fixtures.

Do not hot plug low voltage fixtures.

Wiring chart

Gauge	Length
18 (0.75mm ²)	30ft (9m) maximum
16 (1.50mm ²)	45ft (14m) maximum
14 (2.0mm ²)	70ft (21m) maximum