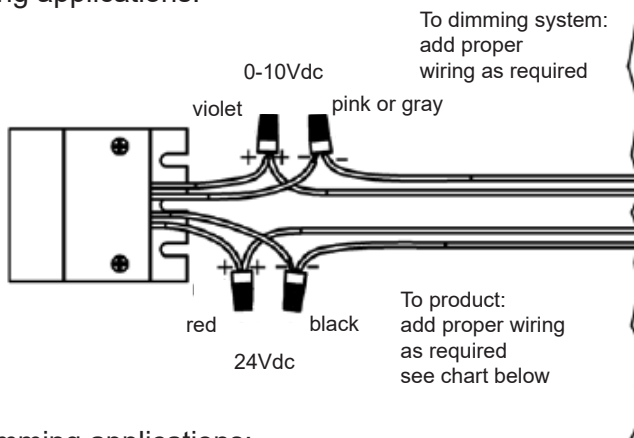
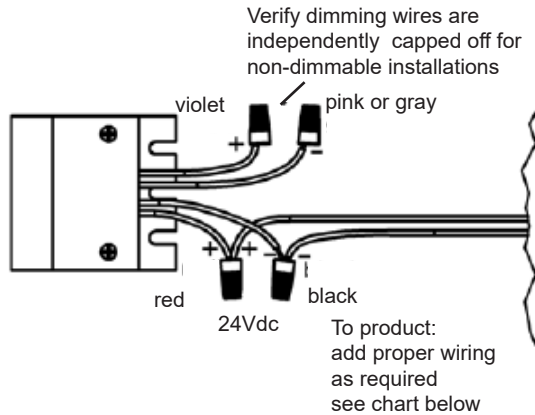


**Wiring Instructions**

For dimming applications:




For non-dimming applications:



**Wiring chart**

Gauge	Length
18 (0.75mm <sup>2</sup> )	30ft (9m) maximum
16 (1.50mm <sup>2</sup> )	45ft (14m) maximum
14 (2.0mm <sup>2</sup> )	70ft (21m) maximum

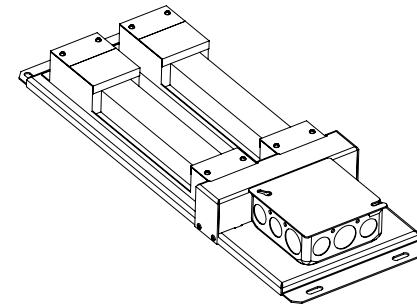


Ensure driver is not energized before connecting fixtures.

Do not hot plug low voltage fixtures.

**ATTENTION: READ ALL INSTRUCTIONS ENTIRELY BEFORE INSTALLATION**

**200W Power Kit with 2 independent class 2 24VDC channels**



**TBSL-PS-HP-200W-UNV** - non-Dimmable Power Supply  
**TBSL-DIM-HP-200W-UNV** - Dimmable Power Supply

**ETL Listed for Indoor Use**

**CAUTION:**

- JLC-Tech products are designed to work with Class 2 - 24Vdc power supplies only. Use of any other power source will cause damage, shorten the life of the fixture and may void the warranty.
- This fixture must be installed and wired by a licensed electrician.
- JLC-Tech LLC will not be held responsible if the fixtures are not installed according to applicable codes and safety standards.
- Installation is subject to local code and jurisdiction.
- Keep these instructions for the person responsible for the maintenance of this

**200W Power Supply Kit is capable of providing power for up to 12 linear feet of JLC-Tech 24VDC product per channel.**

**Refer to model specific wattage ratings of individual fixtures for max**

**Compatible Products:**

- T-BAR LED®
- T-BAR UP®
- T-BAR TWO®
- T-BAR RGBW™
- T-BAR ECO® DC
- SORELLA™

For patent information see: [www.jlc-tech.com/patents](http://www.jlc-tech.com/patents)

CODE: T-BAR440 200W Power Supply Kit Instruction Sheet Rev.03



**RoHS**



**ASSEMBLED IN USA**

ATTENTION: READ ALL INSTRUCTIONS ENTIRELY BEFORE INSTALLATION

### Field Installation

Power Supply to be securely fastened on site. Appropriate location and mounting hardware to be determined by the installer depending on field conditions.

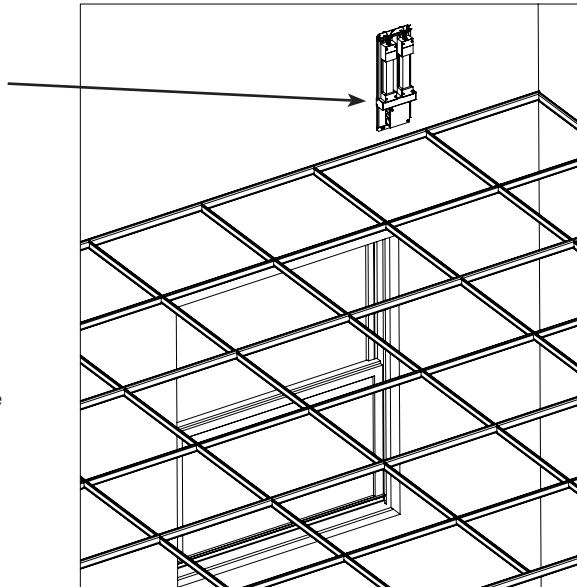
Power supply must be installed in an accessible location.

#### WARNING

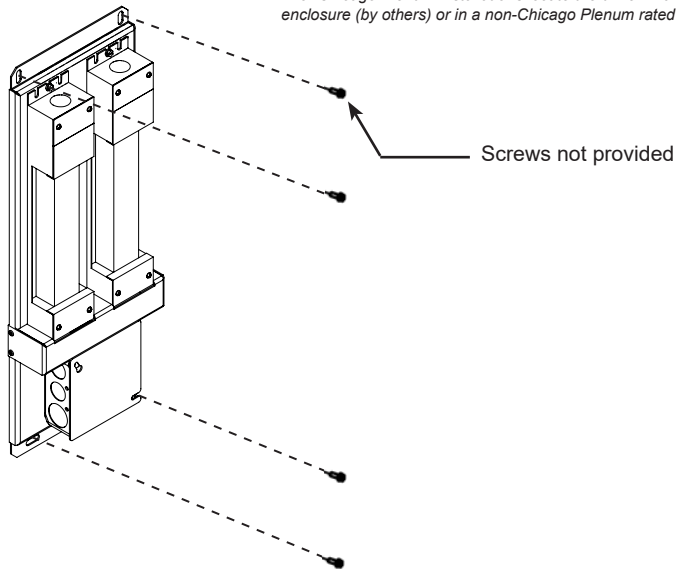
For IC (Insulated Ceiling) installations, do not install insulation within 3 inches (76mm) of remote driver kit

#### AVERTISSEMENT

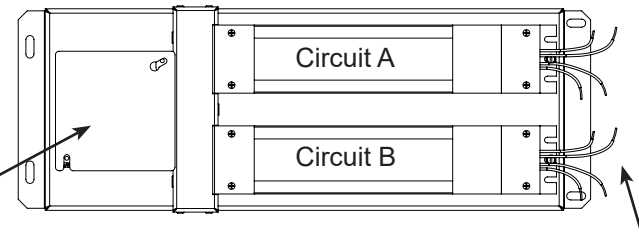
Ne pas mettre l'isolant à moins de 76mm (3po) de l'alimentation



*\*For Chicago Plenum installations locate the driver in an appropriate enclosure (by others) or in a non-Chicago Plenum rated area.*



### Wiring Instructions



Input voltage 120 - 277V inside 4" junction box

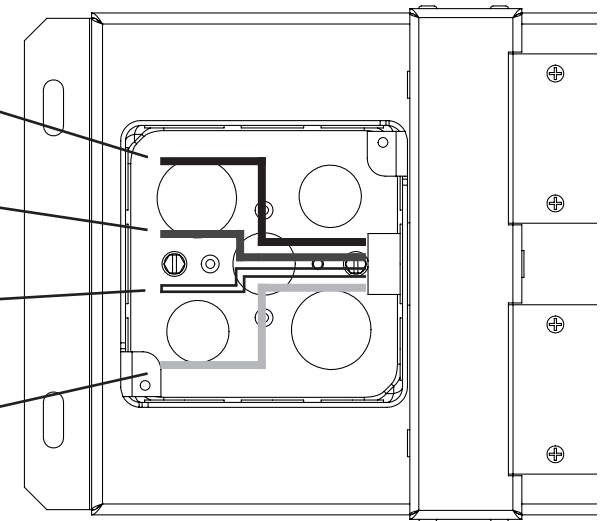
Output - 2 channels  
24VDC to product  
0-10V to dimming system

Hot - Circuit A (Black)

Hot - Circuit B (Red)

Neutral (White)

Ground (Green)



**AC Input must be provided by a single branch circuit connection**

ATTENTION: READ ALL INSTRUCTIONS ENTIRELY BEFORE INSTALLATION