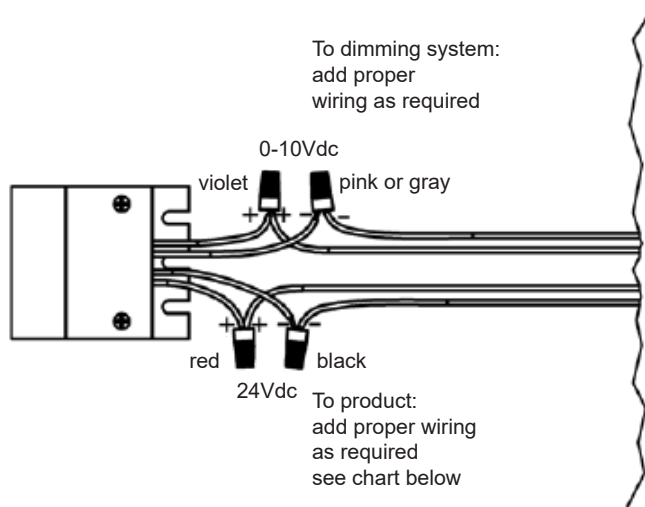
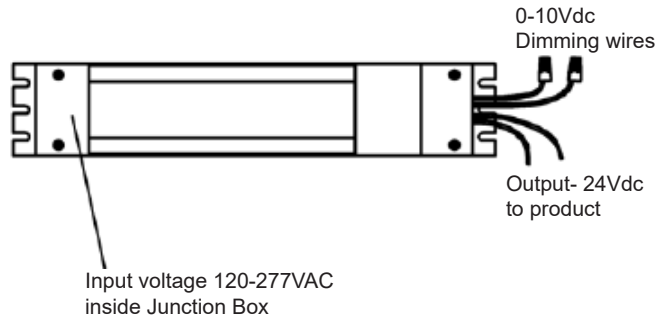



Wiring for dimmable Power Supply
TBSL-DIM-HP-100W-UNV



Wiring Chart

Gauge	Length
18 (0.75mm ²)	30ft (9m) maximum
16 (1.50mm ²)	45ft (14m) maximum
14 (2.0mm ²)	70ft (21m) maximum



Ensure driver is not energized before connecting fixtures.

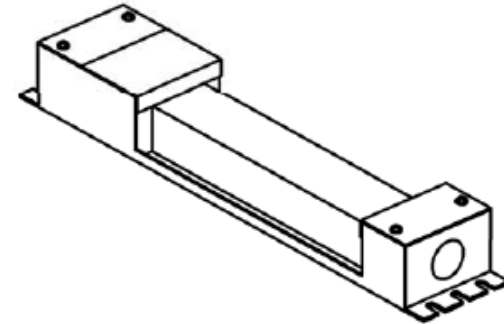
Do not hot plug low voltage fixtures.

ATTENTION: READ ALL INSTRUCTIONS ENTIRELY BEFORE INSTALLATION

ATTENTION: READ ALL INSTRUCTIONS ENTIRELY BEFORE INSTALLATION

ATTENTION: READ ALL INSTRUCTIONS ENTIRELY BEFORE INSTALLATION

100W Power Supply with Class 2, 24VDC Output



TBSL-PS-HP-100W-UNV - non-Dimmable Power Supply
TBSL-DIM-HP-100W-UNV - Dimmable Power Supply

UL Listed for Indoor Use

CAUTION:

- JLC-Tech products are designed to work with Class 2 - 24Vdc power supplies only. Use of any other power source will cause damage, shorten the life of the fixture and may void the warranty.
- This fixture must be installed and wired by a licensed electrician.
- JLC-Tech LLC will not be held responsible if the fixtures are not installed according to applicable codes and safety standards.
- Installation is subject to local code and jurisdiction.
- Keep these instructions for the person responsible for the maintenance of this

100W Power Supply is capable of providing power for up to 12 linear feet of JLC-Tech 24VDC product.

Refer to model specific wattage ratings of individual fixtures for max run lengths.

Compatible Products:

- T-BAR LED®
- T-BAR UP®
- T-BAR RGBW™
- T-BAR ECO® DC
- SOURELLA™

For patent information see: www.jlc-tech.com/patents



Designed in Italy
 Made in Tunisia

ATTENTION: READ ALL INSTRUCTIONS ENTIRELY BEFORE INSTALLATION

CODE: T-BAR211 JLC-TECH 100W Power Supply Instruction Sheet TBSLXXHP100WUNV.06

Field Installation

Power Supply to be securely fastened on site. Appropriate location and mounting hardware to be determined by the installer depending on field conditions.

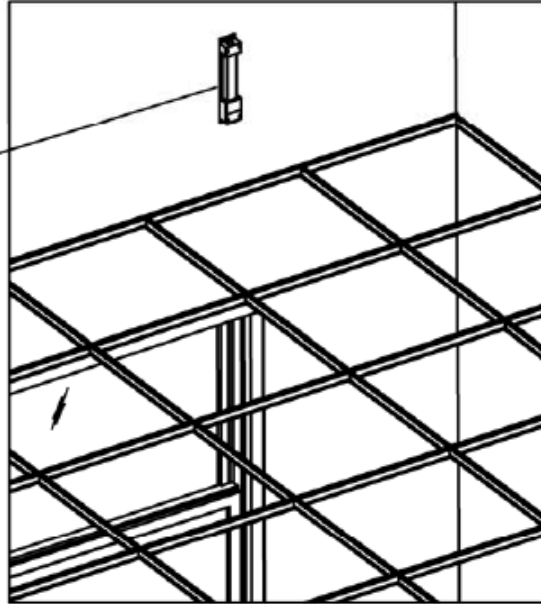
Power supply must be installed in an accessible location.

Warning:

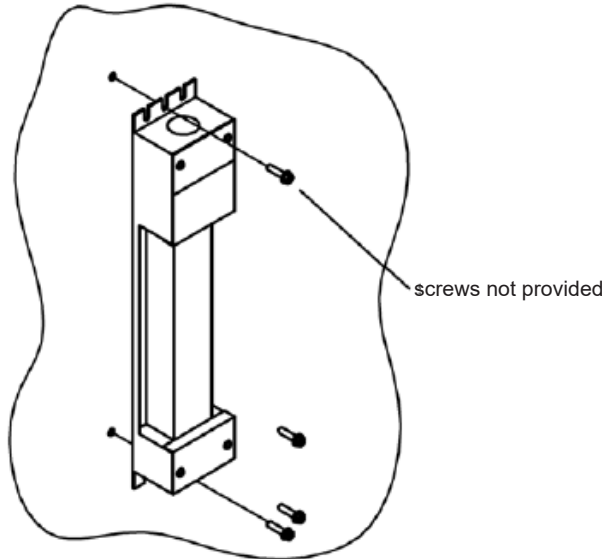
For IC (insulated ceiling) installations: Do not install insulation within 76mm (3in) of remote driver

Avertissement:

Ne pas mettre l'isolant à moins de 76mm (3po) de l'alimentation



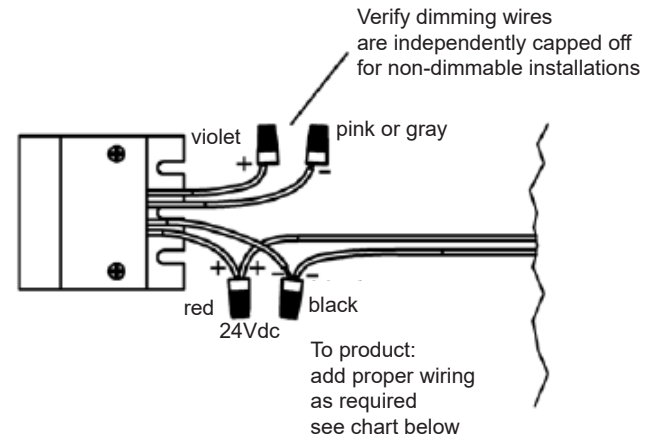
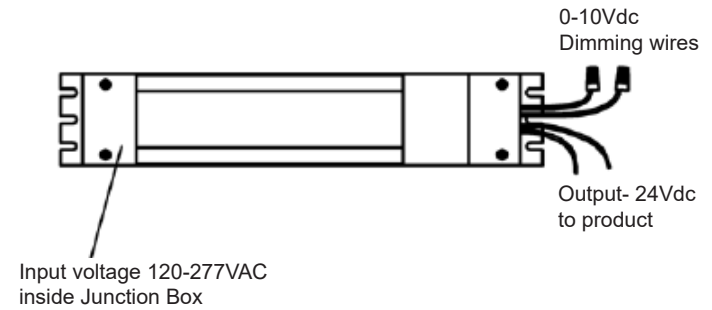
*For Chicago Plenum installations locate the driver in an appropriate enclosure (by others) or in a non-Chicago Plenum rated area.




ATTENTION: READ ALL INSTRUCTIONS ENTIRELY BEFORE INSTALLATION

Wiring for non-dimmable Power Supply

TBSL-PS-HP-100W-UNV





Ensure driver is not energized before connecting fixtures.

Do not hot plug low voltage fixtures.

Wiring Chart

Gauge	Length
18 (0.75mm ²)	30ft (9m) maximum
16 (1.50mm ²)	45ft (14m) maximum
14 (2.0mm ²)	70ft (21m) maximum

ATTENTION: READ ALL INSTRUCTIONS ENTIRELY BEFORE INSTALLATION