



This fixture must be installed and wired by a licensed electrician.

JLC-Tech LLC will not be held responsible if the fixtures are not installed according to applicable codes and safety standards

Installation is subject to local code and jurisdiction

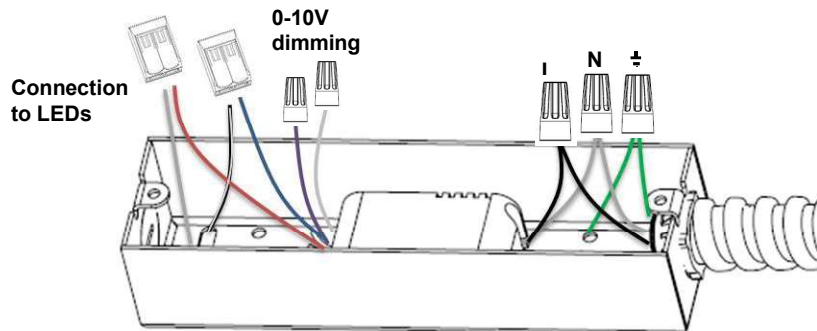
Keep these instructions for the person responsible for the maintenance of this installation.

1. Open the junction box cover.
2. Connect the driver output to the LED board using the provided lever connectors



LED Board WHITE Wire to Driver RED Wire
LED Board WHITE/BLACK STRIPE Wire to Driver BLUE Wire

3. Connect purple/grey wires to 0-10V dimming system (if required).
4. Connect 120-277V branch circuit to driver input



Electrical Ratings

Input Voltage: 120-277V, 50/60Hz

Refer to product label for specific wattage rating.

ETL Listed for Indoor Use



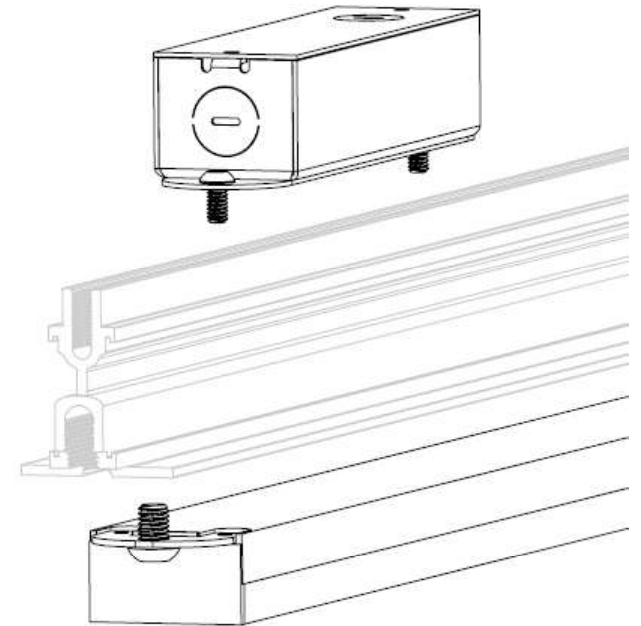
Risk of Electric Shock - Verify branch circuit is OFF before connecting or servicing this fixture

ATTENTION: READ ALL INSTRUCTIONS ENTIRELY BEFORE INSTALLATION

ATTENTION: READ ALL INSTRUCTIONS ENTIRELY BEFORE INSTALLATION



WHERE NO LIGHT HAS GONE BEFORE



SPECIFICALLY DESIGNED FOR USE WITH ARMSTRONG® DYNAMAX™ GRID SYSTEM



RoHS

For patent information see: www.jlc-tech.com/patents

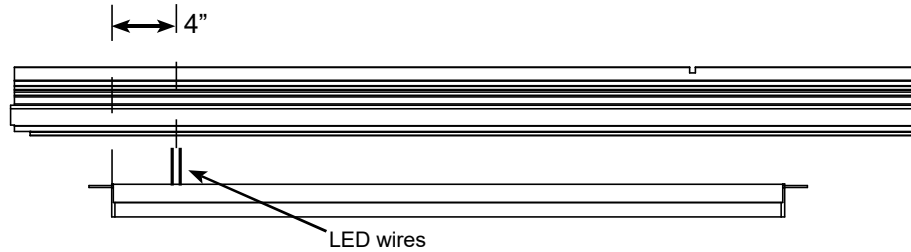
Armstrong, the Armstrong logo, and Dynamax are trademarks of AWI Licensing LLC and/or its affiliates.

MADE IN USA

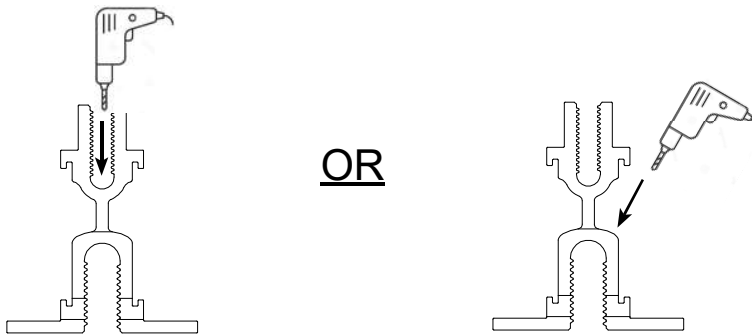
ATTENTION: READ ALL INSTRUCTIONS ENTIRELY BEFORE INSTALLATION

CODE: T-BAR602 Teralyte 2" for Armstrong Dynamax Instruction Sheet Rev.01

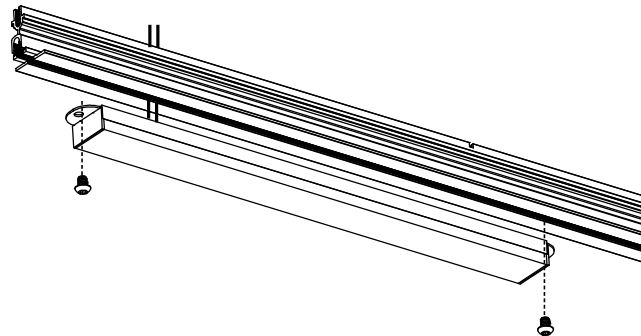
1. Using the fixture as a template mark the location on the Dynamax™ grid (according to the light layout) for drilling the wire pass-thru hole (located approximately 4" from the end cap of the fixture).



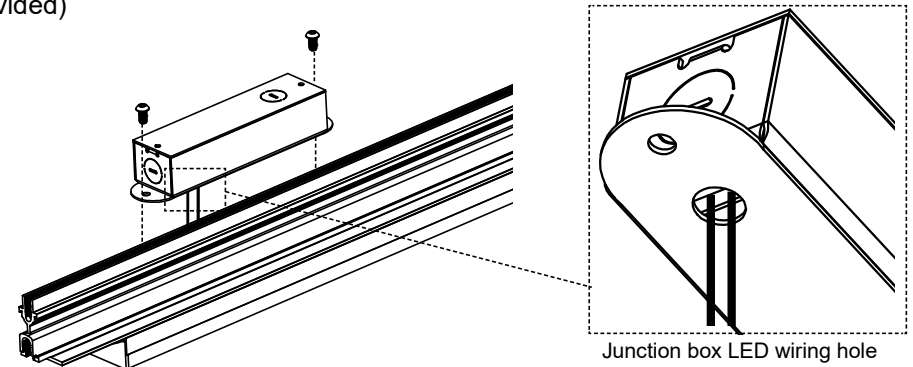
2. Using a 1/4" drill bit, drill a hole through the Dynamax™ grid in either one of the locations below to allow for the LED wires to pass through the Dynamax™ grid and into the wiring hole in the bottom of the junction box.



3. Holding the fixture into position, pass the LED wires thru the drilled hole in the lower threaded boss channel and mount the fixture into place with the end brackets using 3/8-16 x 1/2" screws (provided)



4. Using the provided junction box, pass the wires thru the hole in the bottom of the junction box (into the driver compartment). Mount the junction box into position on the upper threaded boss channel using 1/4-20 x 1/2" screws (provided)



5. Open the cover of the junction box, and first make the low voltage connections from the driver to the LED board using the provided lever connectors, according to the following wiring chart:

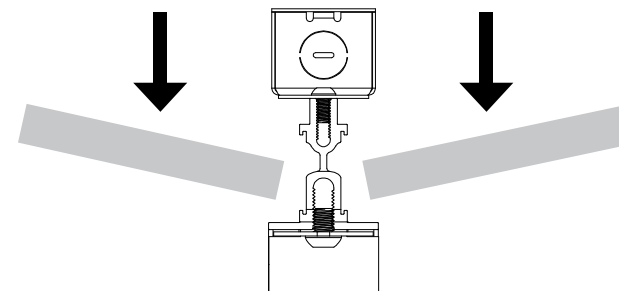


LED Board WHITE Wire to Driver RED Wire

LED Board WHITE/BLACK STRIPE Wire to Driver BLUE Wire

6. Make the appropriate branch circuit connections to the 120-277V AC input of the driver, as well as 0-10V dimming connections (if required). Refer to the image on the following page.

7. Put the ceiling tiles into position over the Dynamax™ grid.



ATTENTION: READ ALL INSTRUCTIONS ENTIRELY BEFORE INSTALLATION