

Product Name	LED/K Color	Light Output	Size	Grid Type	Optic	Mounting Clips	Color	Driver
TRL2 = TERALyte 2"	HW = 3000K MW = 3500K MN = 4000K CN = 5000K	LO = Low Output MO = Medium Output HO = High Output Custom lumen outputs available, consult factory.	2 = 2 ft 4 = 4 ft 6 = 60 cm 12 = 120 cm	DM = Armstrong Dynamax	DWS = Diffuse White Square	B38 = Bottom Slot Thread 3/8" C = Custom	W = White C = Custom	UNV = 120-277 Vac 0-10V dimming POE = Power over Ethernet* Optional Battery Back Up Available (sold separately)

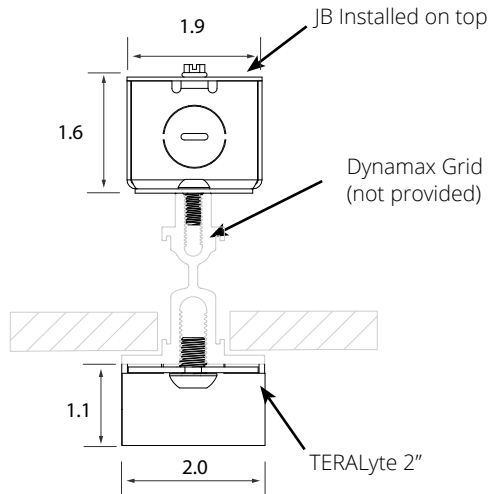
www.jlc-tech.com/patents

*Consult factory for POE

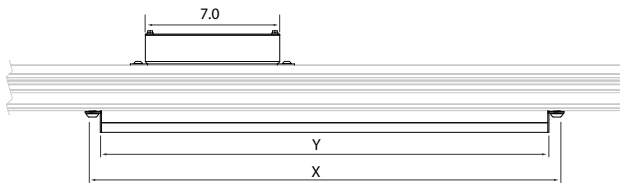


Profile Dimensions

(Compatible with Tegular and Lay-in tiles)



Length Dimensions



Size	Grid Type	X	Y
2 = 2ft	DM = Dynamax	24"	23"
4 = 4ft	DM = Dynamax	48"	47"
6 = 60cm	DM = Dynamax	60cm	58cm
12 = 120cm	DM = Dynamax	120cm	119cm

NOTES:

TERALyte™ 2" is designed for a simple and seamless installation with heavy duty extruded aluminum suspension ceiling systems including Dynamax™ structural aluminum grid by Armstrong Ceilings.

APPLICATIONS:

Data centers and other spaces using extruded aluminum or Dynamax™ structural grid suspension ceiling systems.

MOUNTING:

Mounting brackets for easy installation into the bottom extruded screw boss of the grid ceiling system. Remote LED driver simply installs onto the back extruded screw boss. Compatible with Tegular and Lay-in tiles.

MATERIALS:

Painted aluminum extruded body, steel mounting clips, painted aluminum end caps, high transmitting acrylic PMMA lens.

ELECTRIC:

Universal input voltage of 120 - 277VAC. Junction box installed remote to fixture with integral driver and wire nuts inside for connection to branch circuit and 0-10V dimming system. Fixture must be installed in accordance with local electrical codes. For EM Battery Kit order separately. POE options available, consult factory.

WARRANTY:

5 years

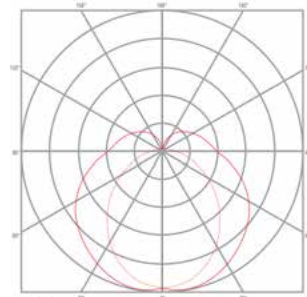
LISTINGS:

ETL/cETLus CE RoHS. Indoor use only.

Photometrics

CRI > 82 (90CRI available on request)

L80 > 60,000 hrs



Output	lm/ft	W/ft	lm/W
LO	640	4.7	136
MO	980	7.5	131
HO	1246	9.4	132

