

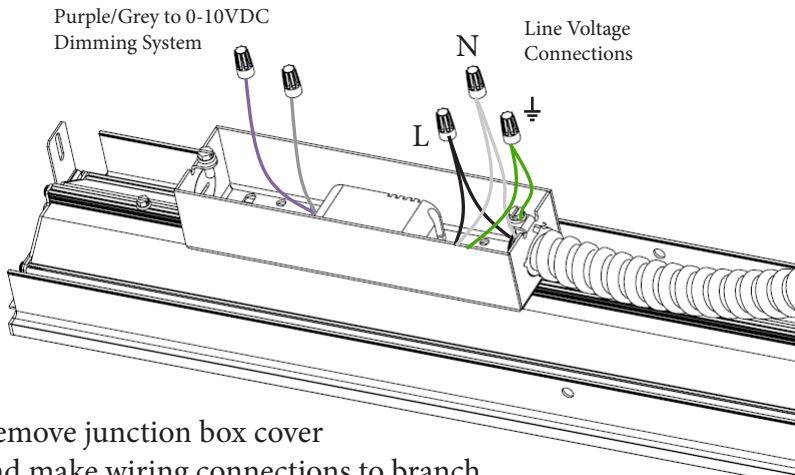


This fixture must be installed and wired by a licensed electrician.

JLC-Tech LLC will not be held responsible if the fixtures are not installed according to applicable codes and safety standards.

Installation is subject to local code and jurisdiction.

Keep these instructions for the person responsible for the maintenance of this installation.



Remove junction box cover and make wiring connections to branch circuit and dimming system (if needed). Replace cover when complete.

Electrical Ratings

Input Voltage: 120-277V, 50/60Hz

Refer to product label for model specific wattage ratings

ETL Listed for Indoor Use

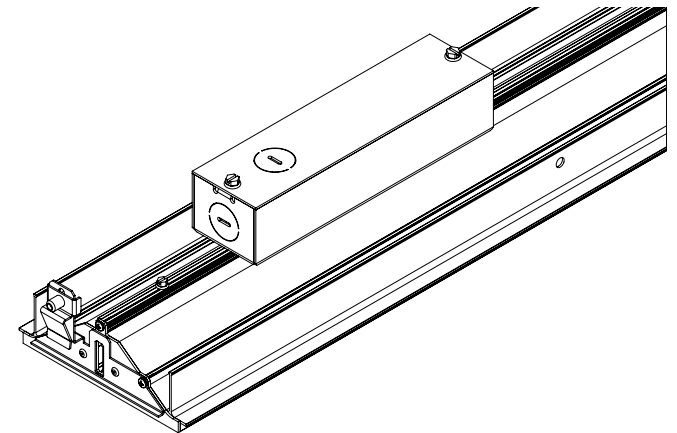
ATTENTION: READ ALL INSTRUCTIONS ENTIRELY BEFORE INSTALLATION

ATTENTION: READ ALL INSTRUCTIONS ENTIRELY BEFORE INSTALLATION

THE NEXT
GENERATION GREEN
LIGHTING SOLUTION
FOR SUSPENDED
CEILING APPLICATIONS

FOR MODELS:

- SINGLE LENS
- DOUBLE LENS



SPECIFICALLY DESIGNED FOR USE
WITH 15/16" (T24) GRID



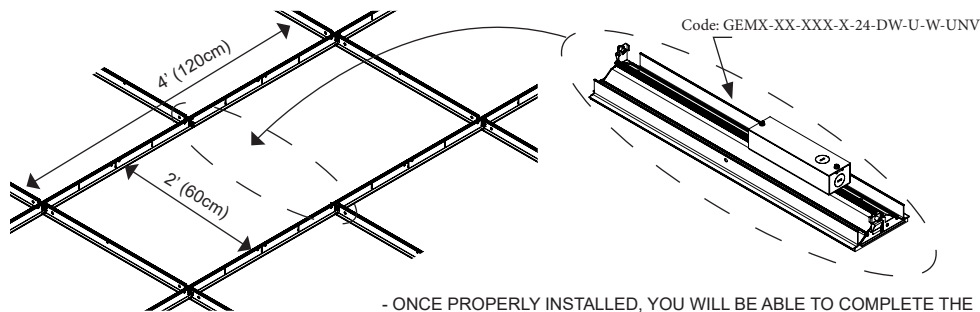
For patent information see www.jlc-tech.com/patents

MADE IN USA

CODE: T-BAR546 Gemini Universal Instruction Sheet 15/16" Rev.01

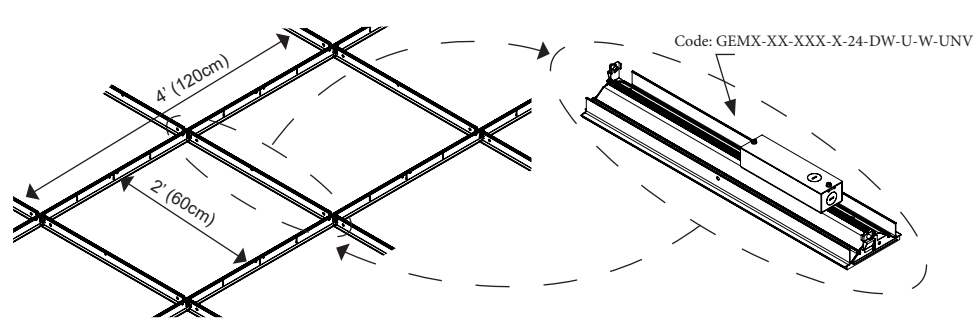
WHERE I CAN INSTALL THE GEMINI™

- IN A **NEW** 15/16" (T24) CEILING GRID INSTALLATION, ORGANIZE THE PLOT TO HAVE 2'x4' (60X120cm) OR 4'x4' (120X120cm) SPACES WHERE THE 2' (60cm) OR 4' (120cm) GEMINI WILL BE INSTALLED (ACCORDING TO THE LIGHT REQUIREMENT).
- INSTALL THE GEMINI AT THE CENTER OF THE SPACE, CREATING TWO EQUAL SECTIONS EACH.



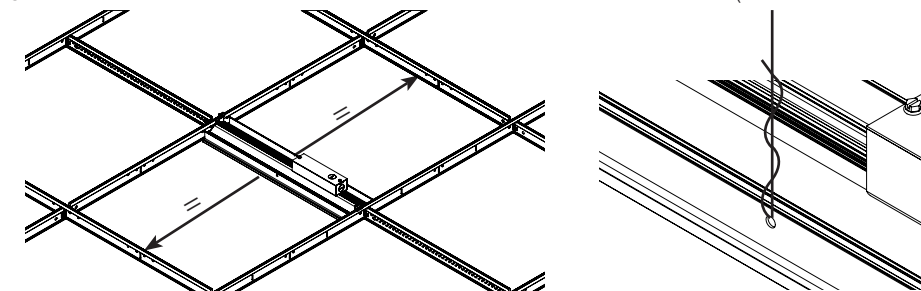
- ONCE PROPERLY INSTALLED, YOU WILL BE ABLE TO COMPLETE THE CEILING WITH THE APPROPRIATE SIZED TILES.

- IN AN **EXISTING** 15/16" (T24) SUSPENDED CEILING GRID, LOCATE THE 2' (60cm) or 4' (120cm) CROSS TEES THAT ARE INTENDED TO BE SUBSTITUTED WITH THE 2' (60cm) or 4' (120cm) GEMINI (ACCORDING TO THE LIGHT REQUIREMENT)
- REMOVE THE CEILING TILES WITHIN THE SPACE YOU SELECTED
- REMOVE THE 2' (60cm) or 4' (120cm) CROSS TEES AND REPLACE IT WITH THE 2' (60cm) or 4' (120cm) GEMINI
- ONCE PROPERLY INSTALLED, PLACE THE APPROPRIATE SIZED CEILING TILES IN THE OPENINGS.



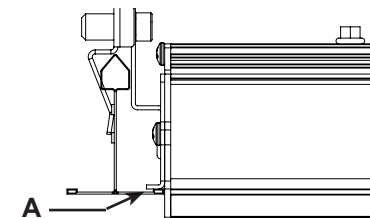
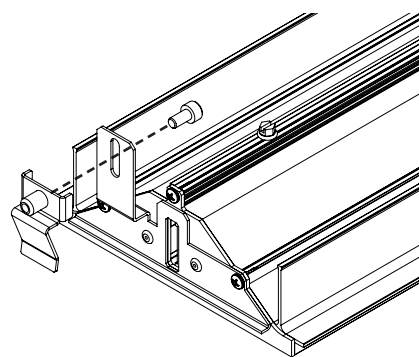
NOTE: MAKE SURE THE GEMINI IS POSITIONED TO ALLOW THE CORRECT PLACING OF THE SURROUNDING GRID AND TILES.

GEMINI MUST BE ANCHORED TO THE ABOVE BUILDING STRUCTURE WITH A STEEL CABLE USING THE PROVIDED HOLES (STEEL CABLE BY OTHERS)

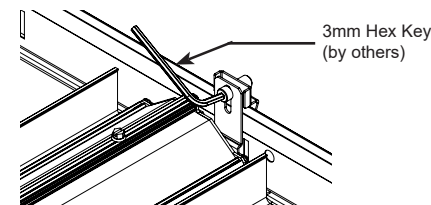


HOW I INSTALL THE GEMINI™

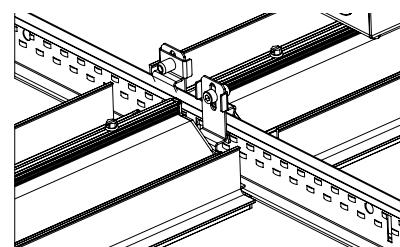
- PLACE THE PRODUCT OVER THE GRID FOLLOWING THE BELOW CONFIGURATION.
- MAKE SURE THAT THE END CAP FLANGE OF THE GEMINI SITS FLAT ON THE CORRESPONDING GRID AS SHOW IN DETAIL "A"



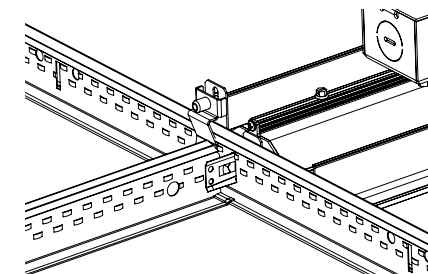
ONCE THE PRODUCT IS POSITIONED, TIGHTEN THE SCREW ON EACH END.



- GEMINI IS DESIGNED TO CONNECT END TO END WITH EITHER ANOTHER GEMINI (DETAIL B) OR WITH A STANDARD CROSS TEE (DETAIL C).



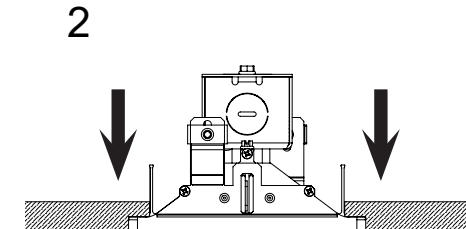
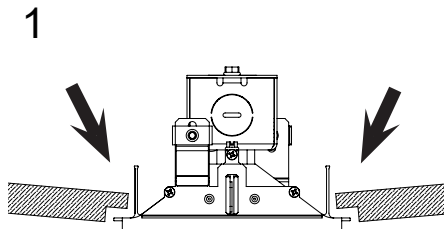
DETAIL B



DETAIL C

- AFTER THE GEMINI HAS BEEN WIRED (SEE FOLLOWING PAGE FOR INSTRUCTION), YOU CAN INSTALL THE APPROPRIATE SIZED CEILING TILES IN THEIR CORRECT POSITION OVER THE GEMINI PRODUCT.

NOTE: GEMINI IS DESIGNED TO WORK WITH TEGULAR TILES (LIGHT SITS FLUSH WITH TILE) AND LAY-IN TILES (LIGHT SITS PROUD OF TILE).



ATTENTION: READ ALL INSTRUCTIONS ENTIRELY BEFORE INSTALLATION

ATTENTION: READ ALL INSTRUCTIONS ENTIRELY BEFORE INSTALLATION